



# TC722/24

## e versioni speciali

and special versions - et versions spéciales  
und Sonderausführungen - y versiones especiales

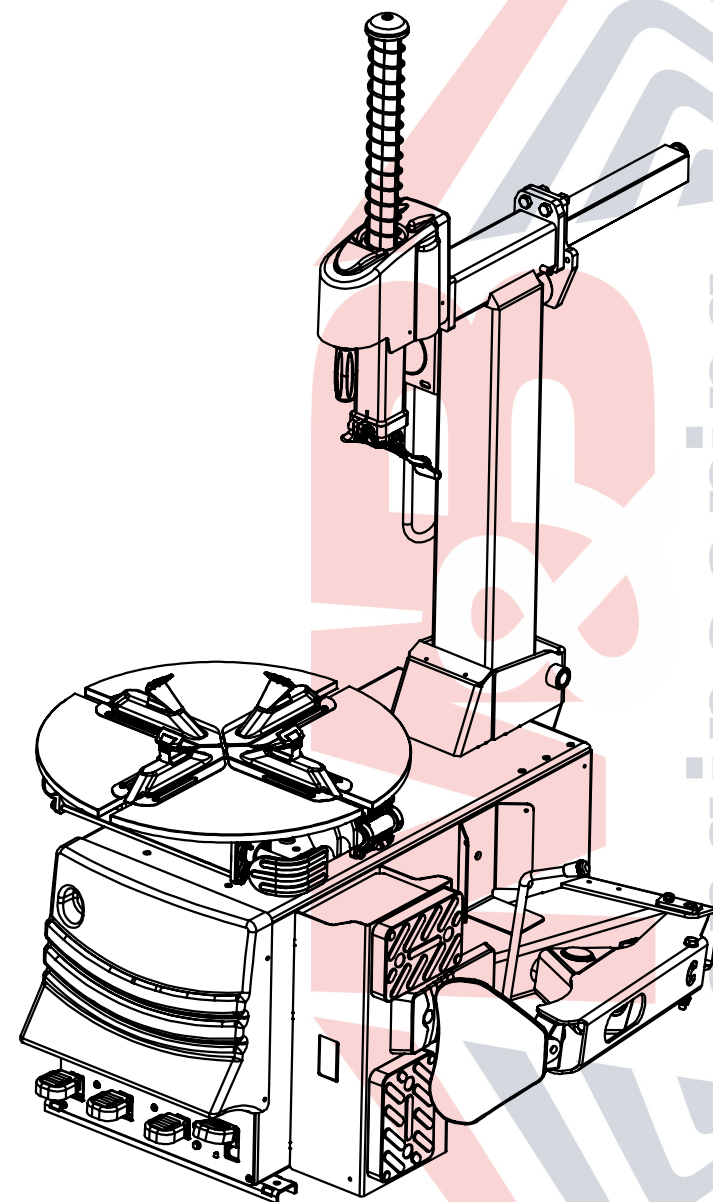
**IT • PG**

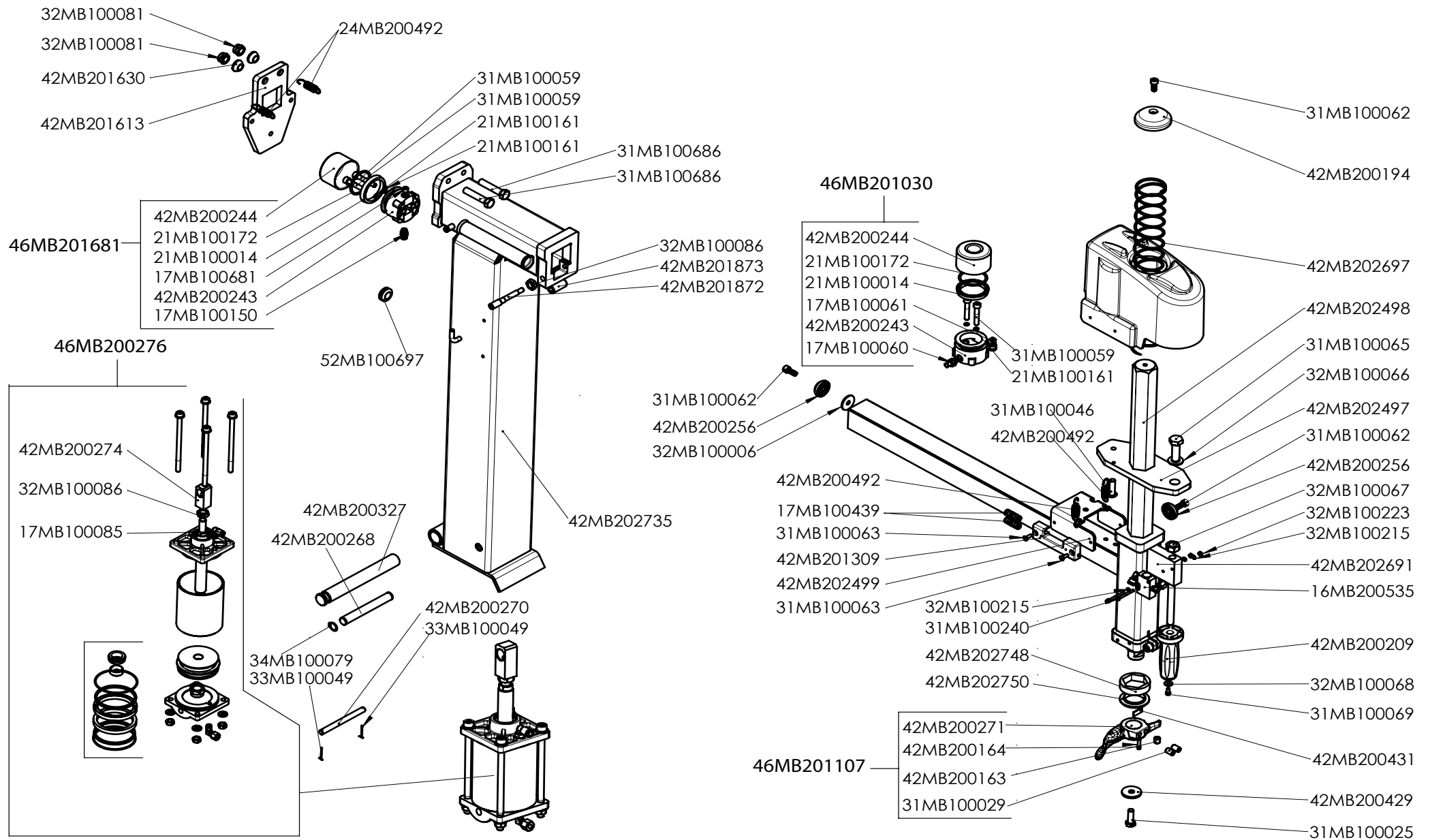
SMONTAGOMME

TYRE CHANGING MACHINE - DÉMONTE-PNEUS  
REIFENWECHSLER - DESMONTA-NEUMATICOS

CATALOGO RICAMBI ORIGINALI  
ORIGINAL SPARE PARTS  
CATALOGUE PIECES D'ORIGINE  
ORIGINAL ESATZTEILE  
CATÁLOGO ORIGINAL DE REPUESTOS

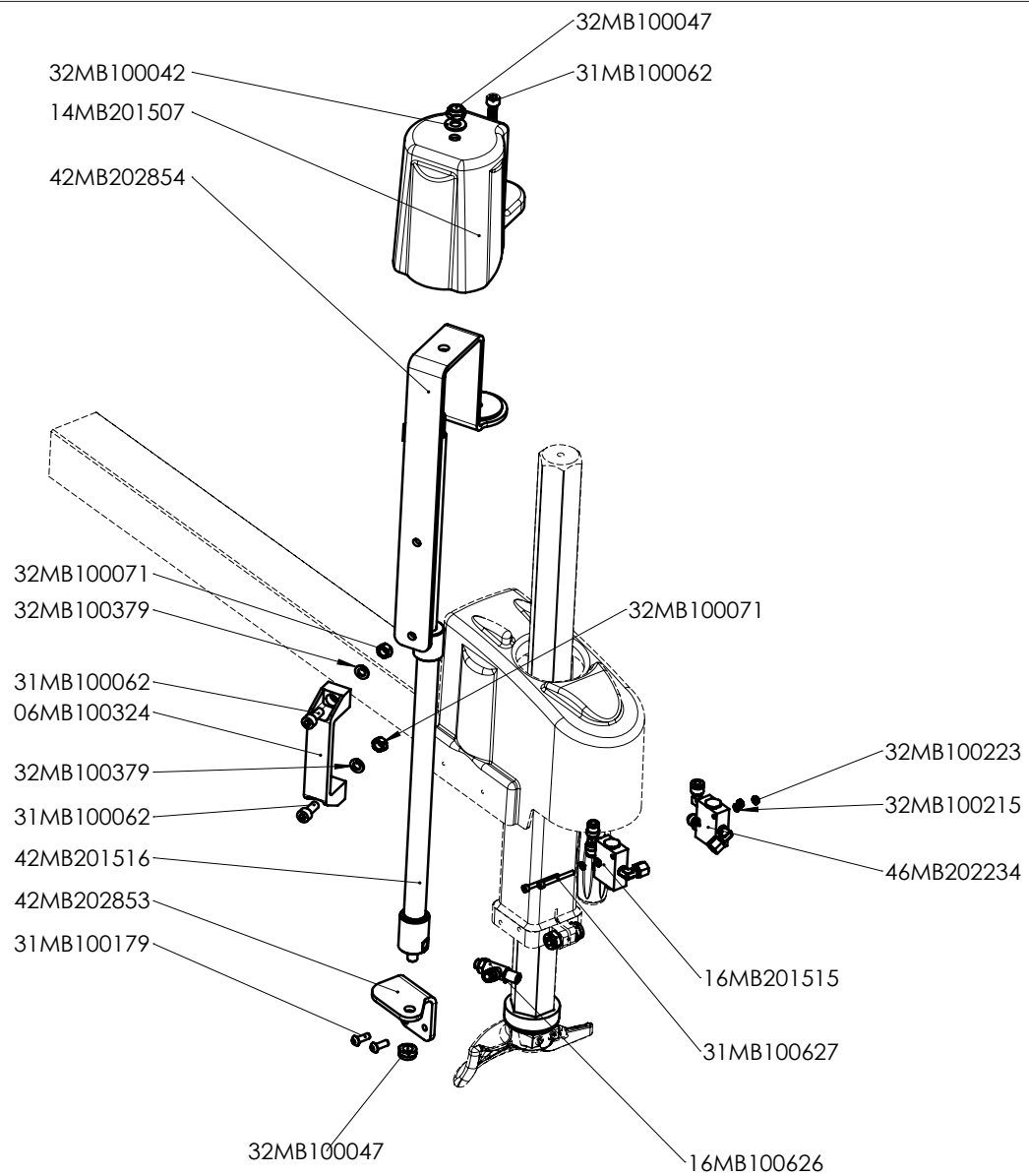
REV. 00





cod. 203172

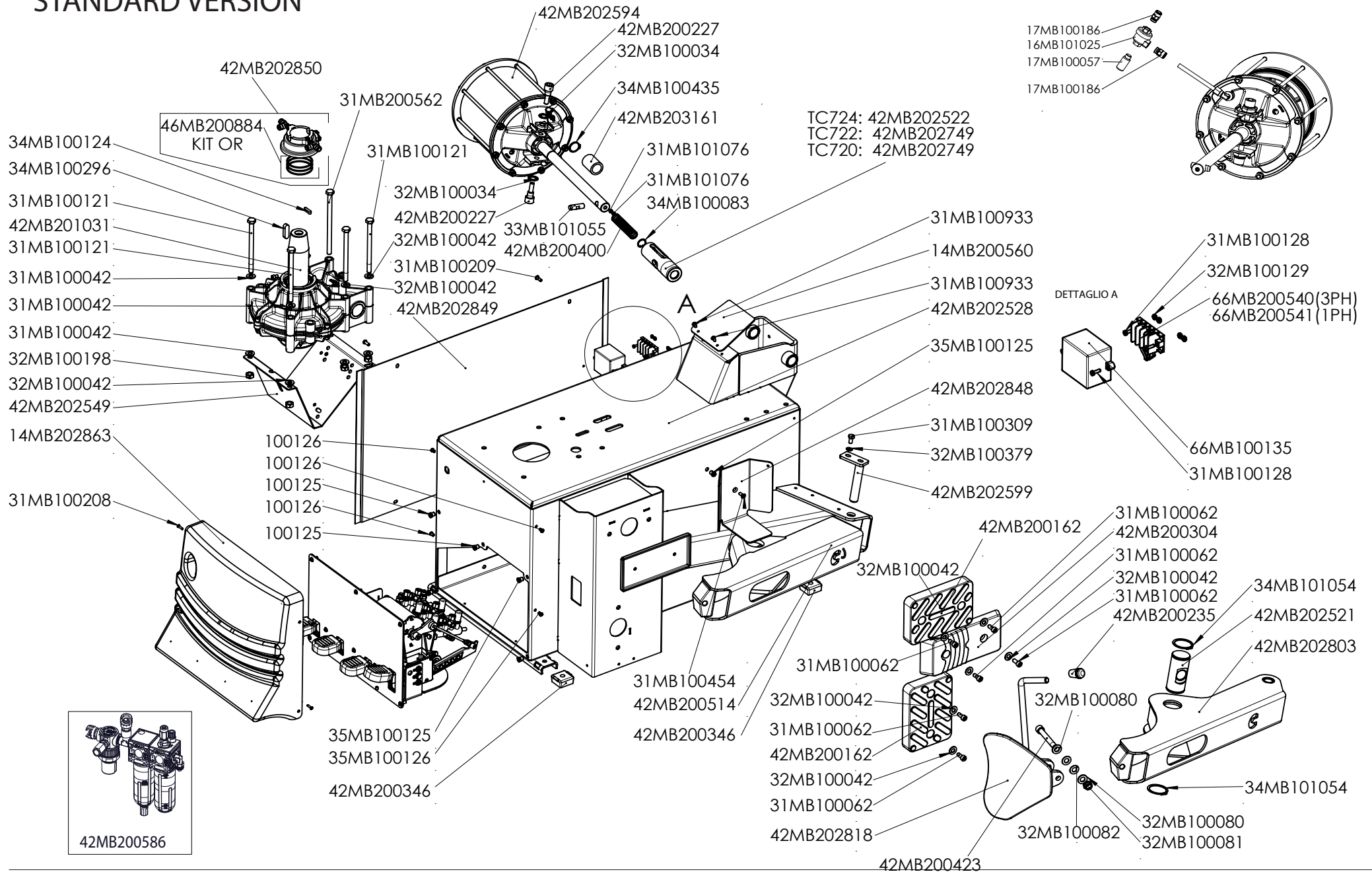
REV. 1



COD. 203163

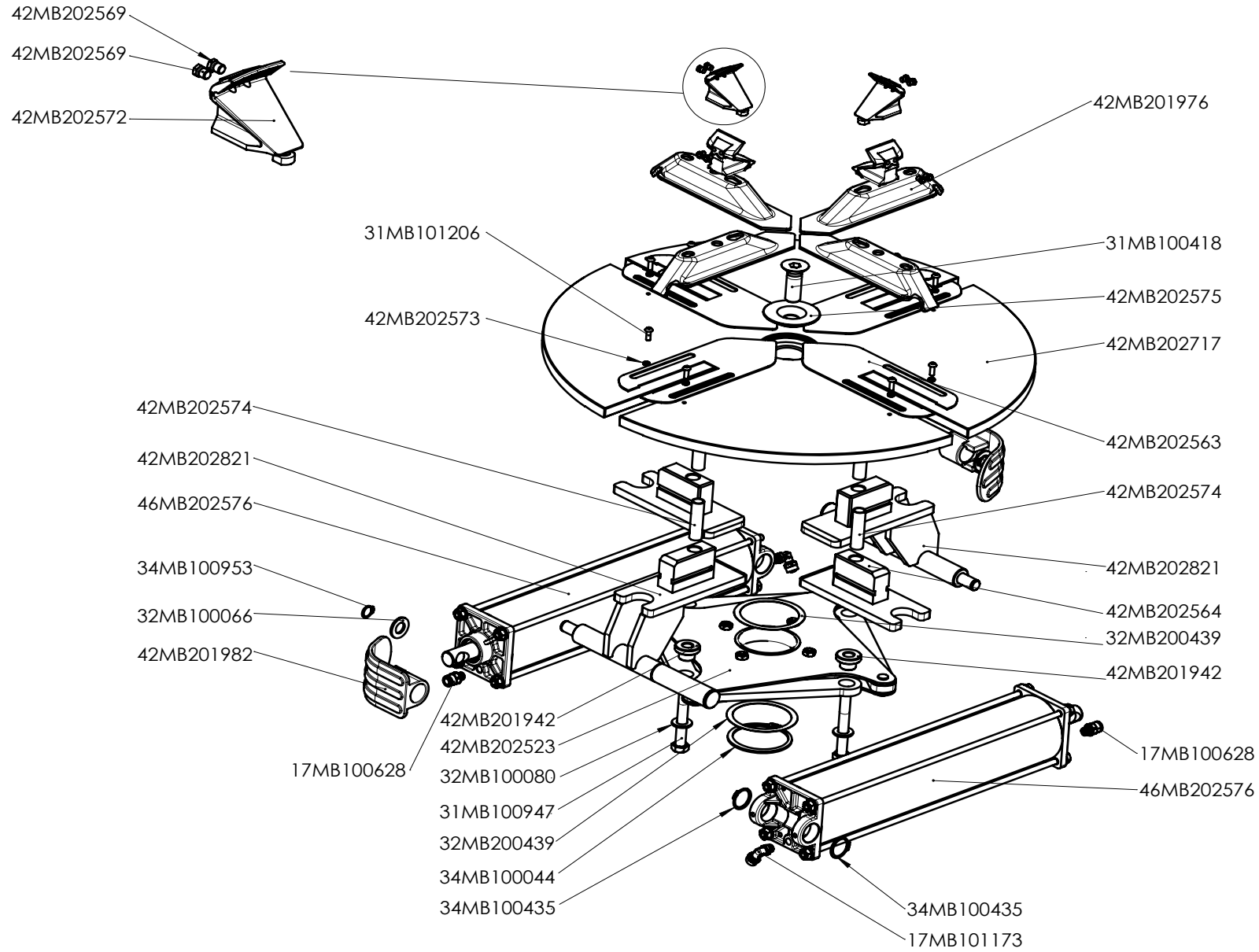
REV. 1

# STANDARD VERSION



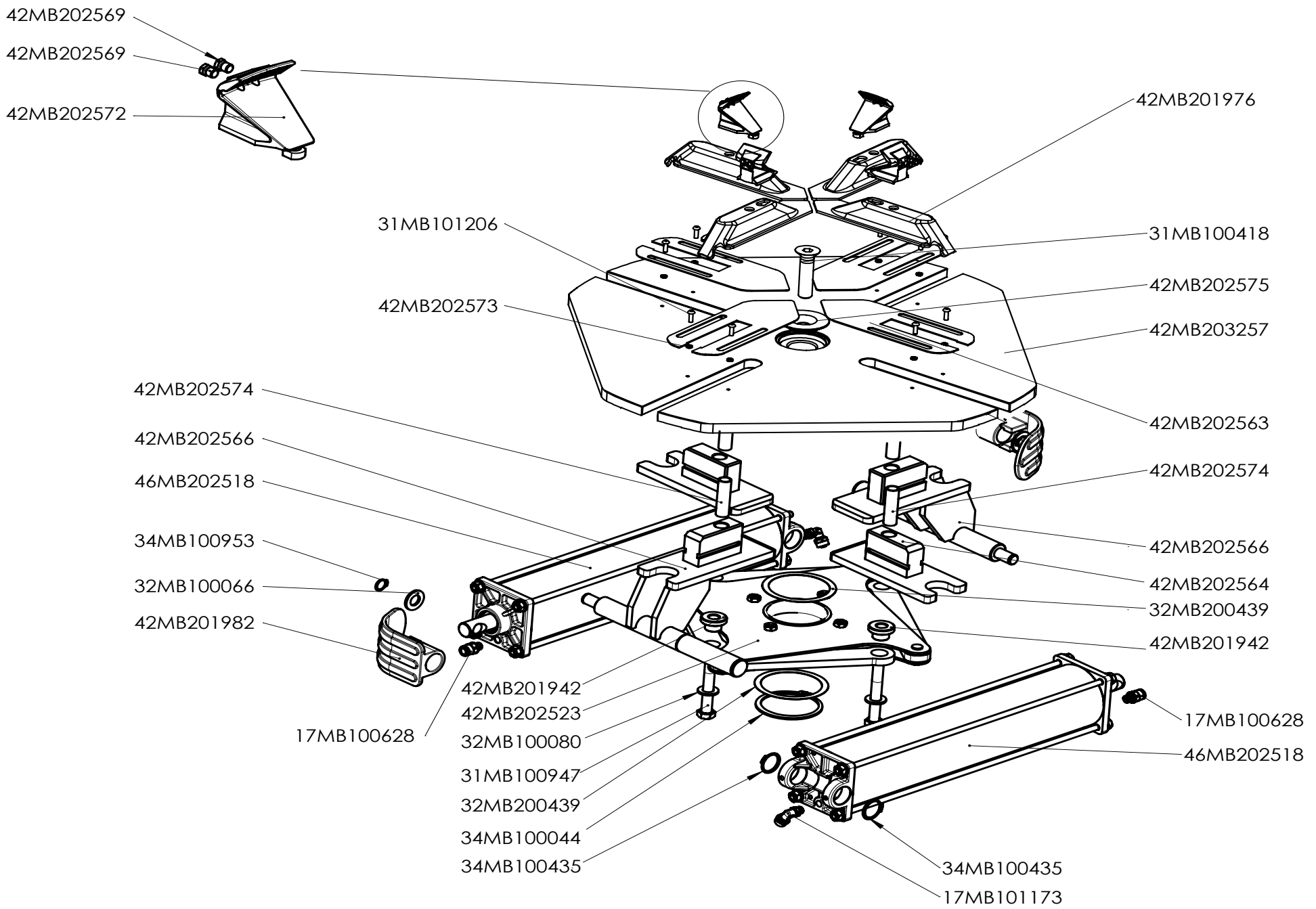
cod. 203164

REV. 1



cod. 203174

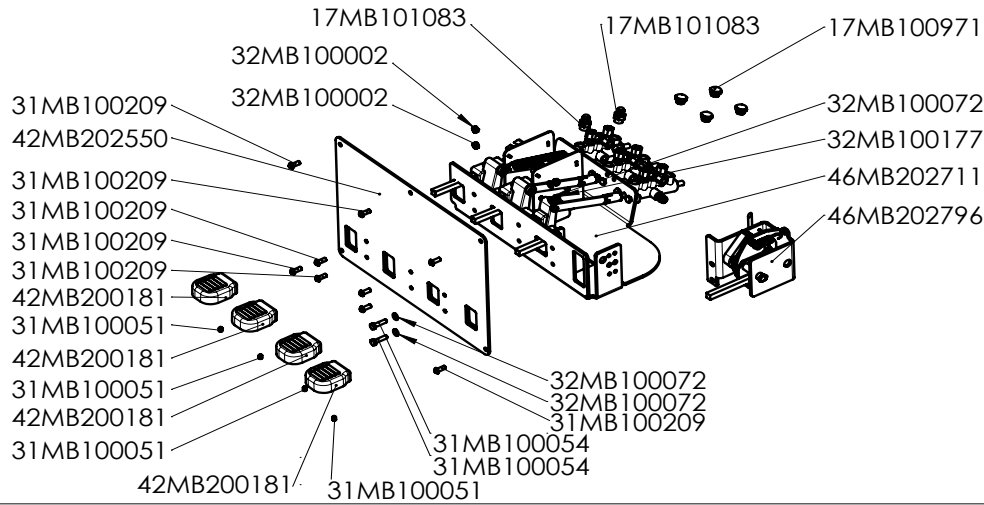
REV. 1



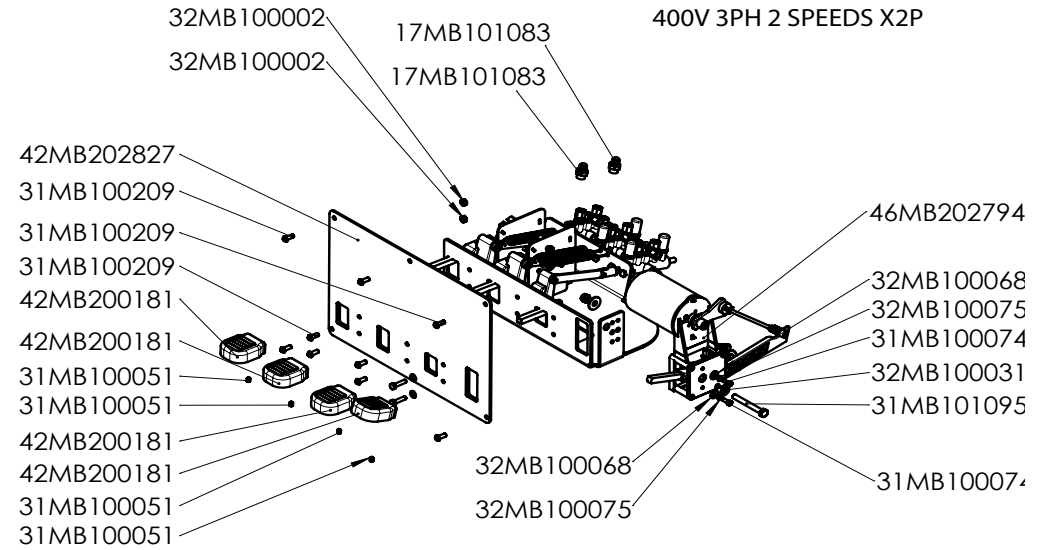
cod. 203700

REV. 0

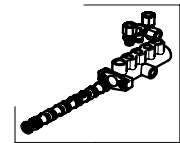
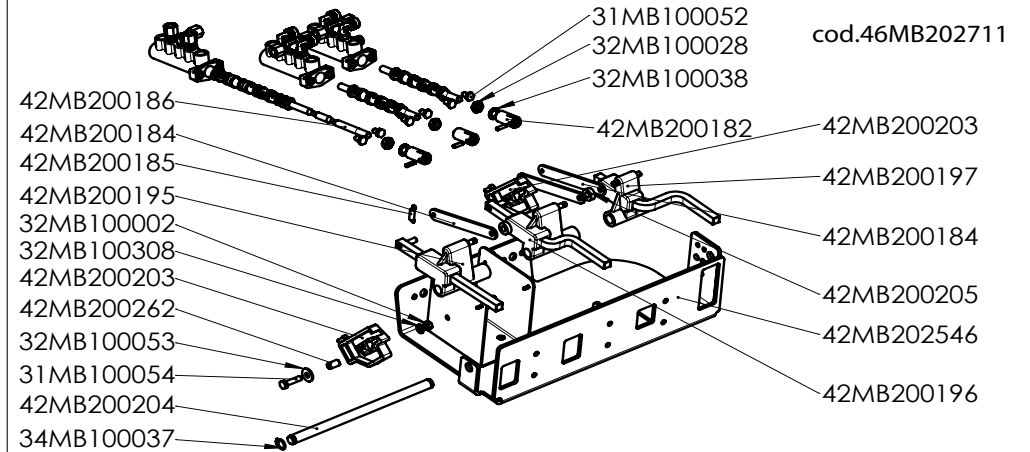
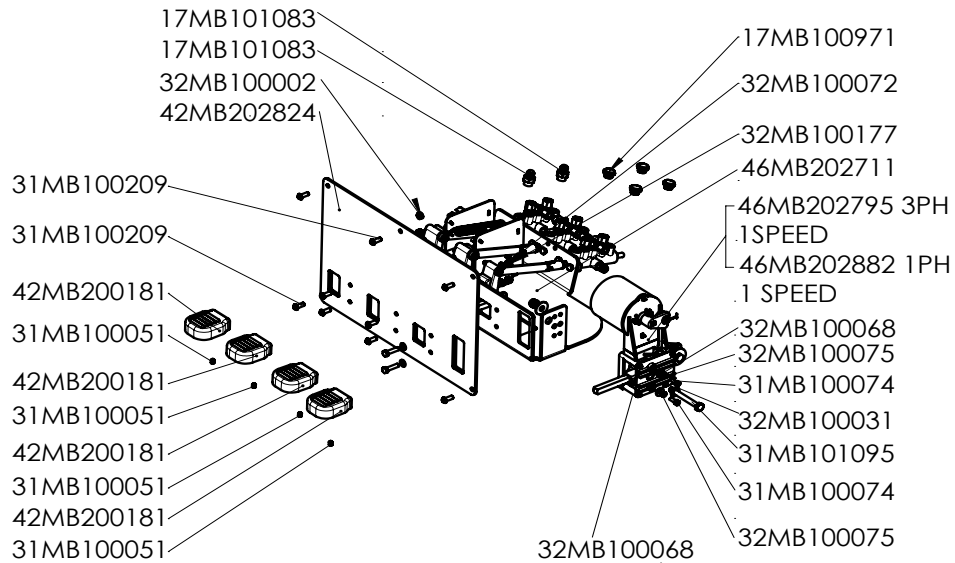
230V 1PH MOTOINVERTER 50/60HZ



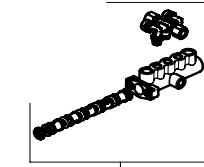
400V 3PH 2 SPEEDS X2P



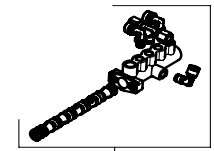
400V/230V 3PH 1 SPEED  
230V 1PH 50/60Hz



COD.46MB203146  
RUBINETTO PALO

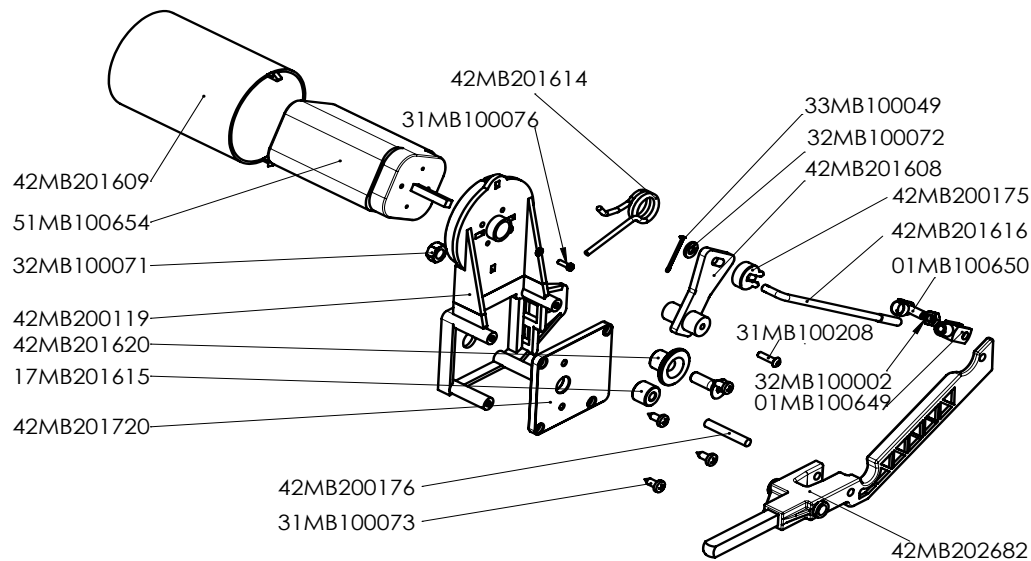


COD.46MB203147  
RUBINETTO AUTOCENT.

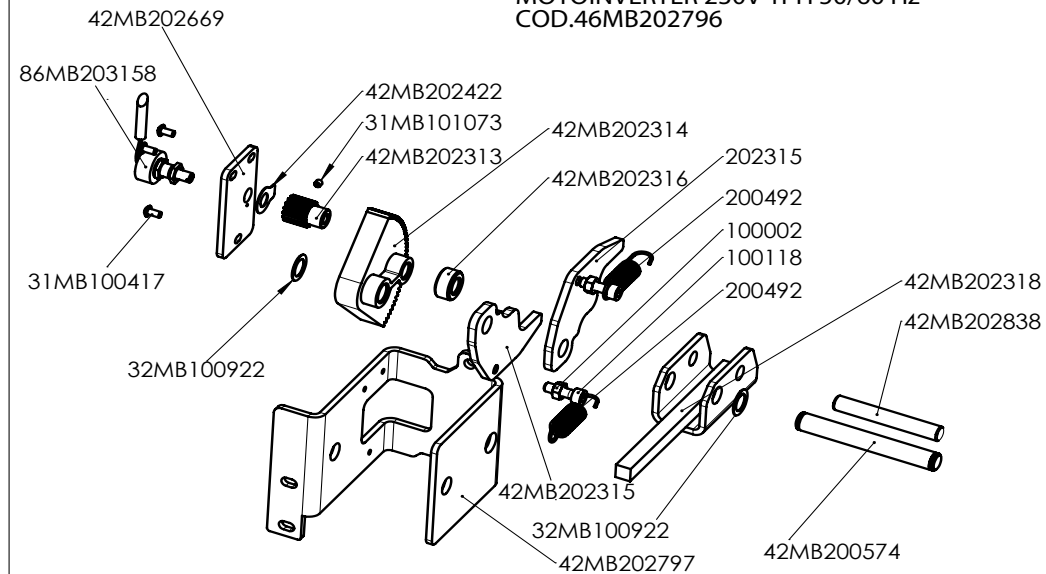


COD.46MB203148  
RUBINETTO STALL.

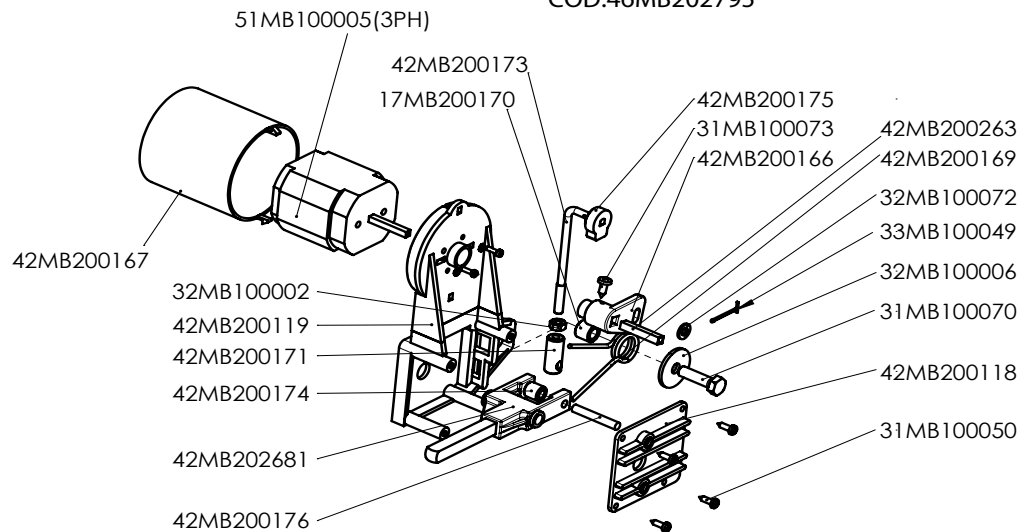
400V/230v 3PH 2SPEEDS 50/60 Hz  
COD.46MB202794



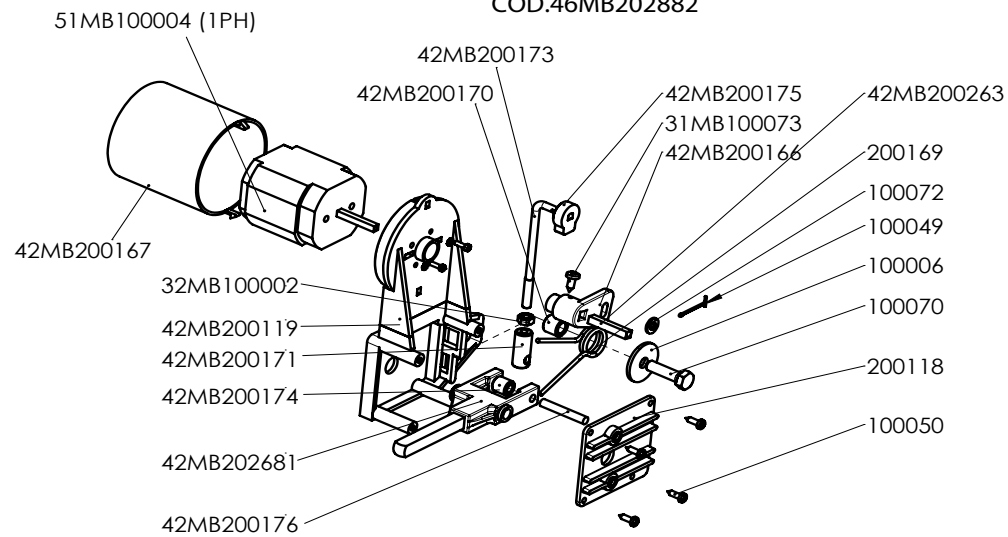
MOTOINVERTER 230V 1PH 50/60 Hz  
COD.46MB202796



400V/230v 3PH 1SPEED 50/60 Hz  
COD.46MB202795

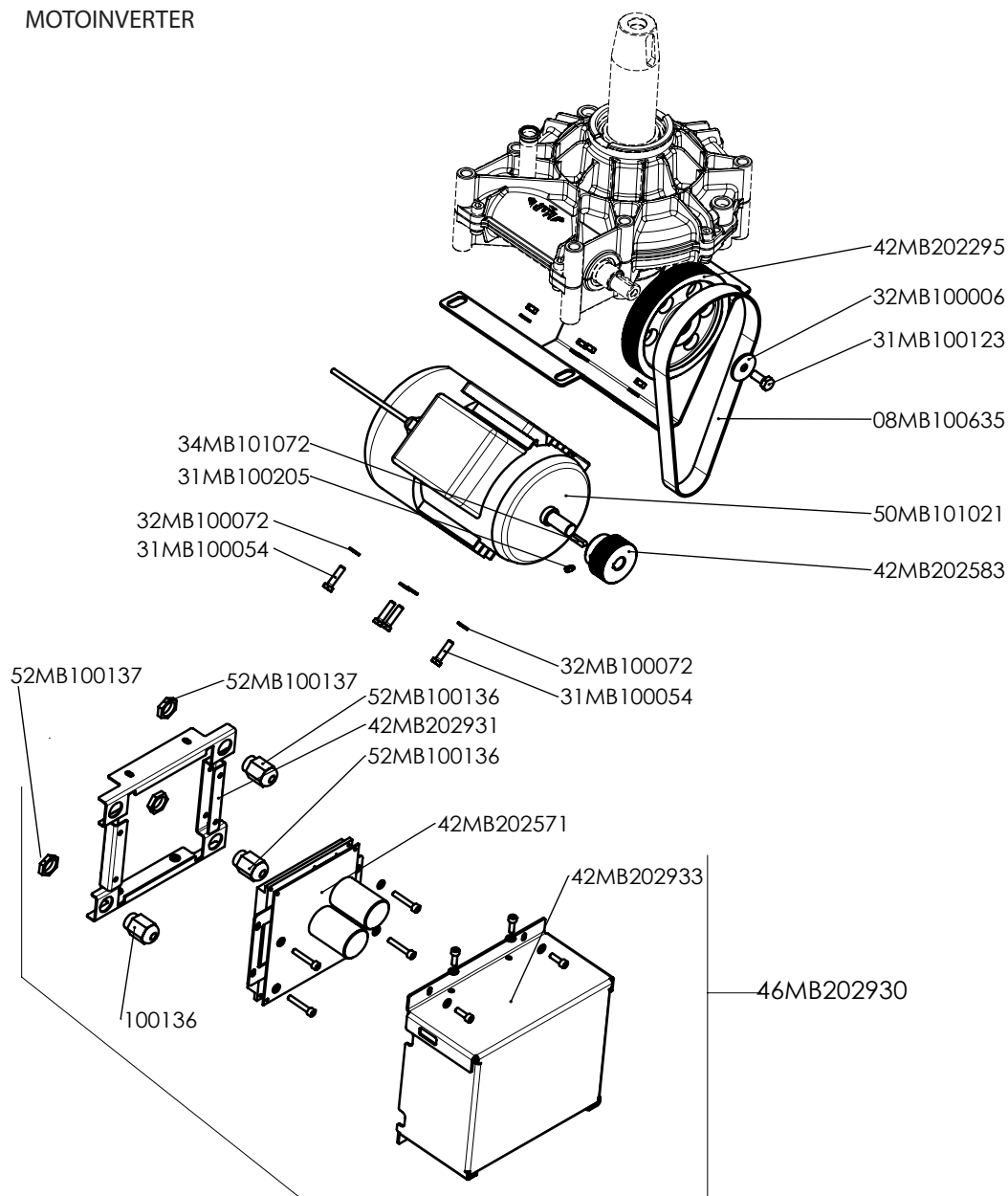
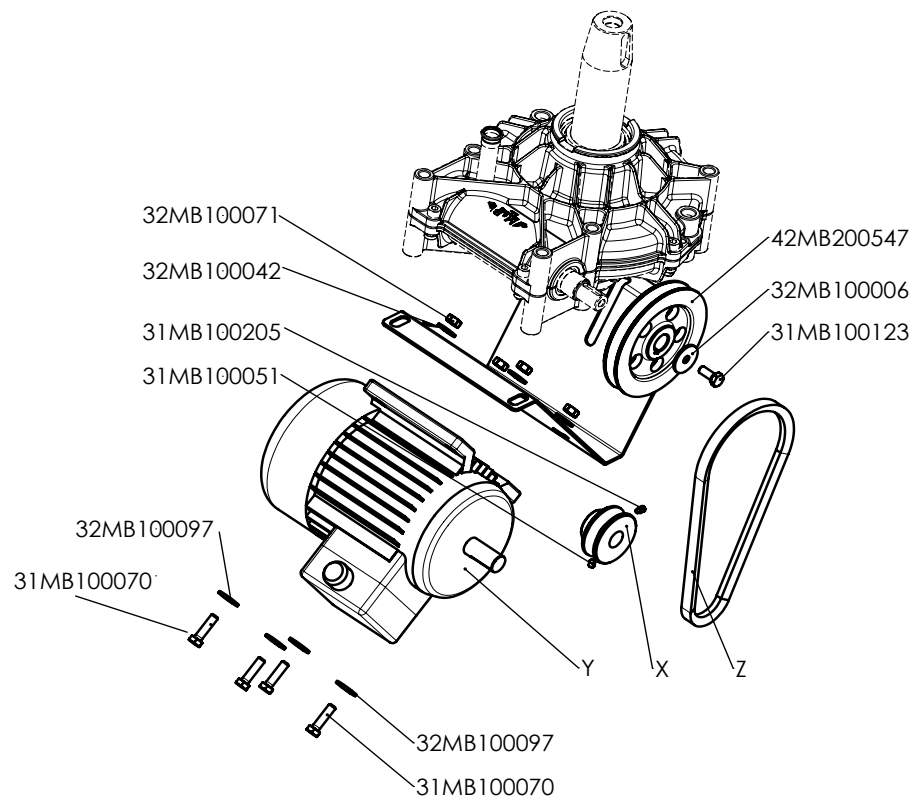


230v 1PH 1SPEED 50/60 Hz  
COD.46MB202882





## MOTOINVERTER

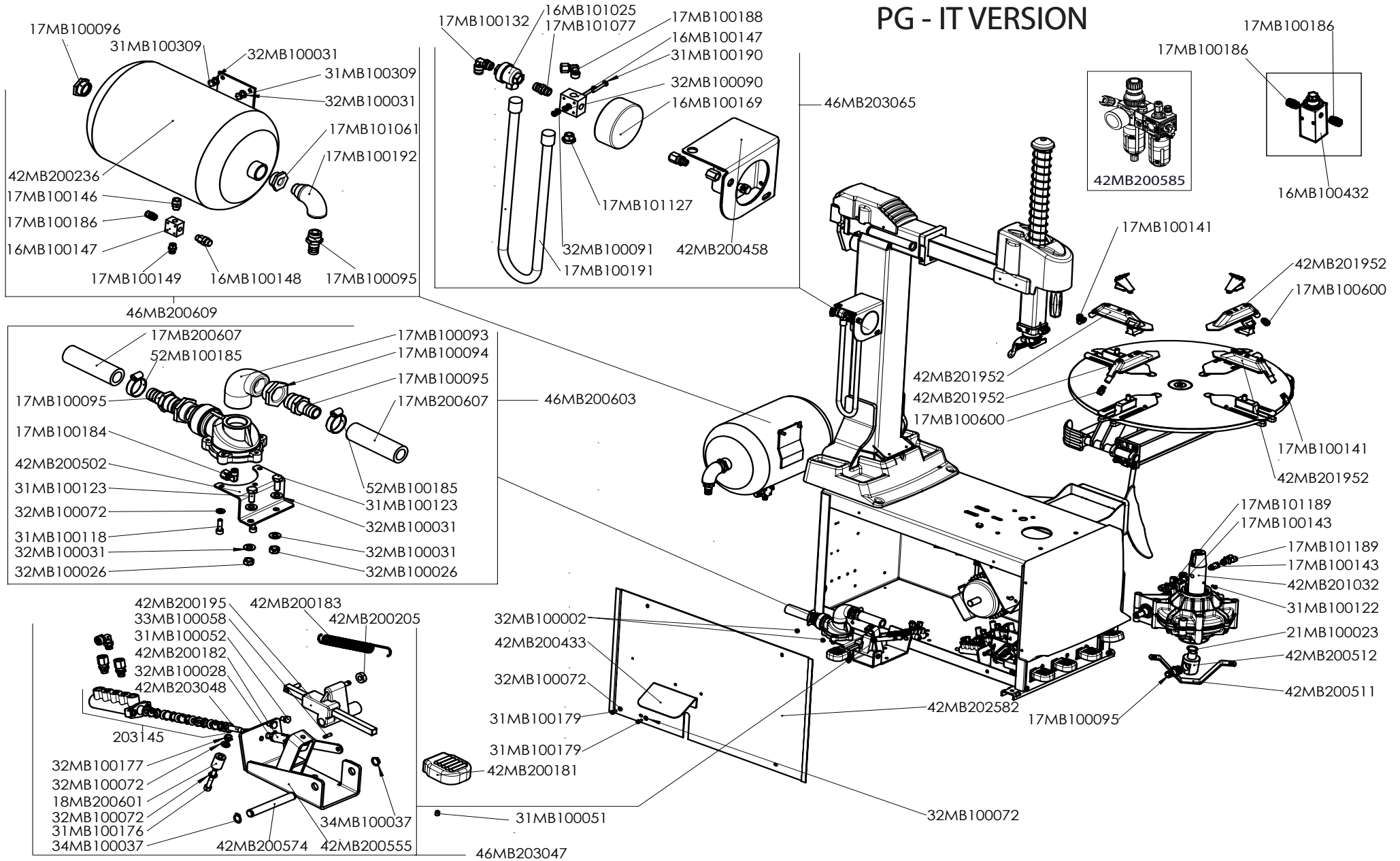


TENSIONE	PULEGGIA MOTORE(X)	MOTORE(Y)	CINGHIA (Z)
400V 3PH 50/60Hz(2vel.)	COD.42MB200544	COD.50MB100388	COD.08MB100740
230V 1PH 50/60Hz	COD.42MB200545	COD.50MB100102	COD.08MB100740
230V 3PH 50/60Hz(2vel.)	COD.42MB200544	COD.50MB100412	COD.08MB100740
110V 1PH 60Hz	COD.42MB200543	COD.50MB100158	COD.08MB100882

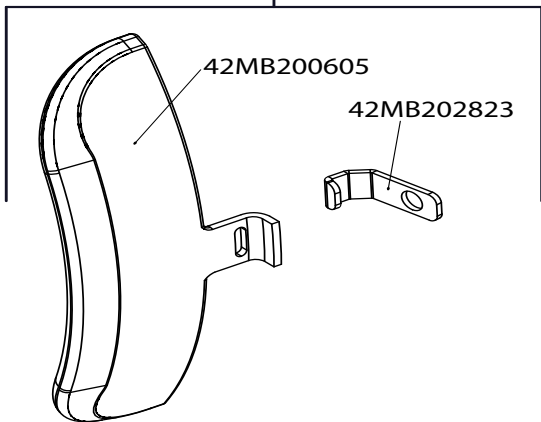
cod. 203168

REV. 1

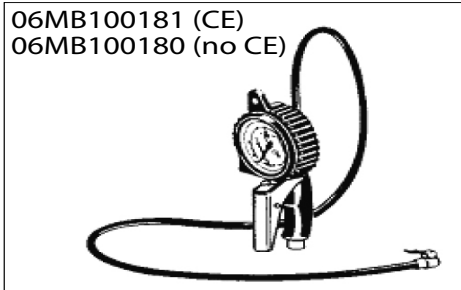
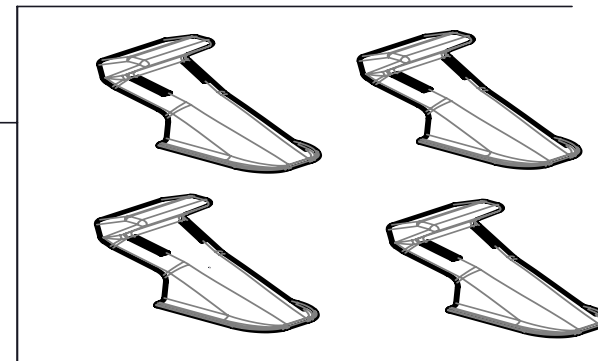
# PG - IT VERSION



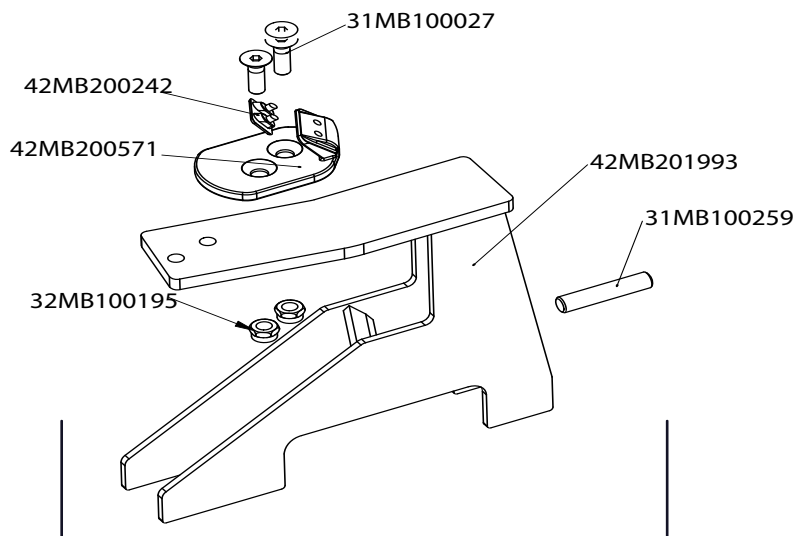
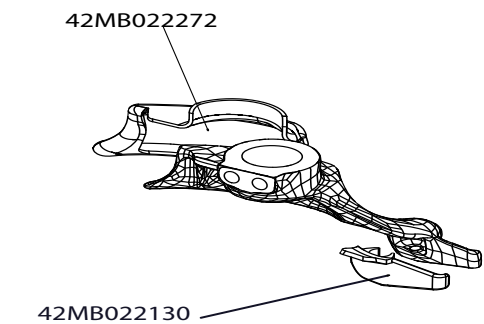
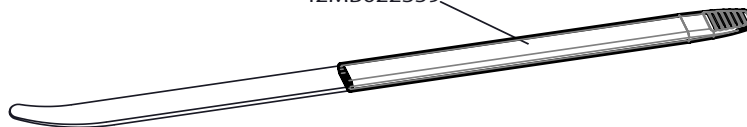
46MB203338



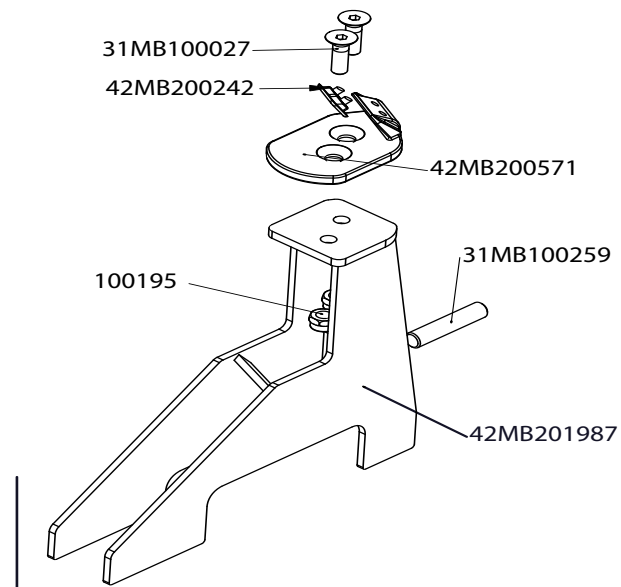
42MB022021



42MB022359



46MB202011 KIT N°4



46MB202010 KIT N°4

OPTIONAL

COD. 203170

REV. 1