



TC724

e versioni speciali

and special versions - et versions spéciales
und Sonderausführungen - y versiones especiales

IT • PG • LL

SMONTAGOMME

TYRE CHANGING MACHINE - DÉMONTE-PNEUS

REIFENWECHSLER - DESMONTA-NEUMATICOS

CATALOGO RICAMBI ORIGINALI

ORIGINAL SPARE PARTS

CATALOGUE PIECES D'ORIGINE

ORIGINAL ESATZTEILE

CATÁLOGO ORIGINAL DE REPUESTOS

REV. 00

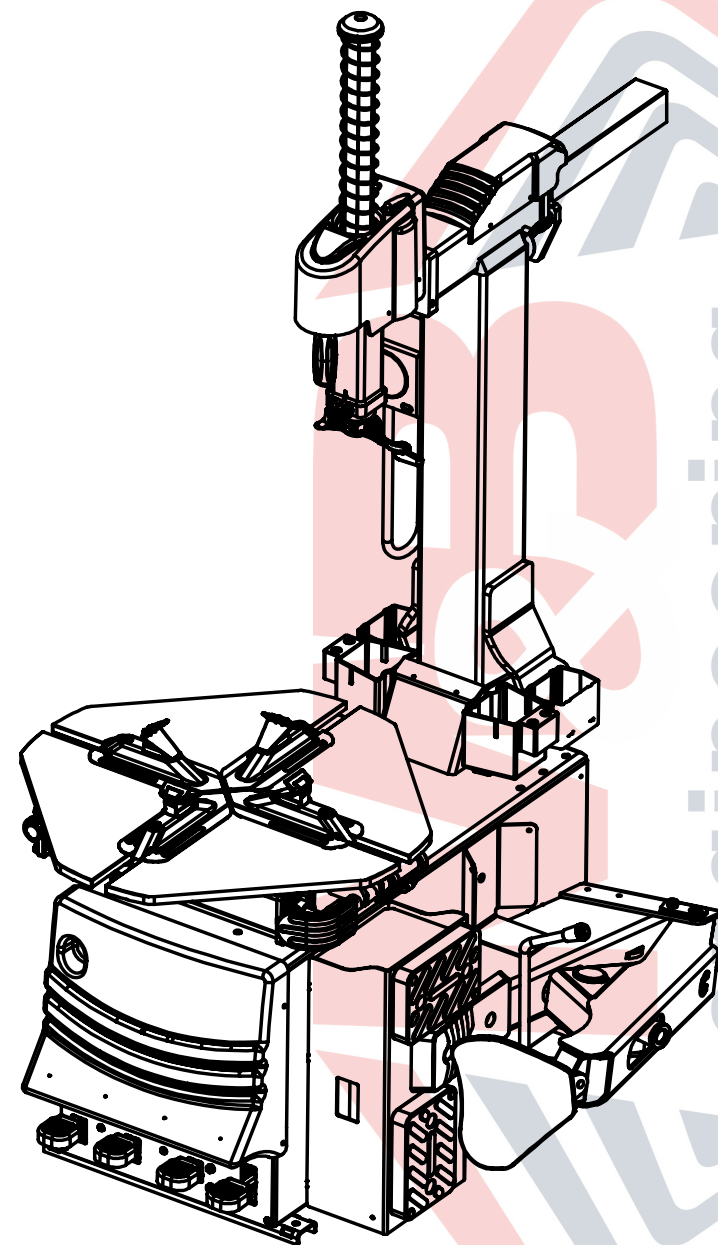
I

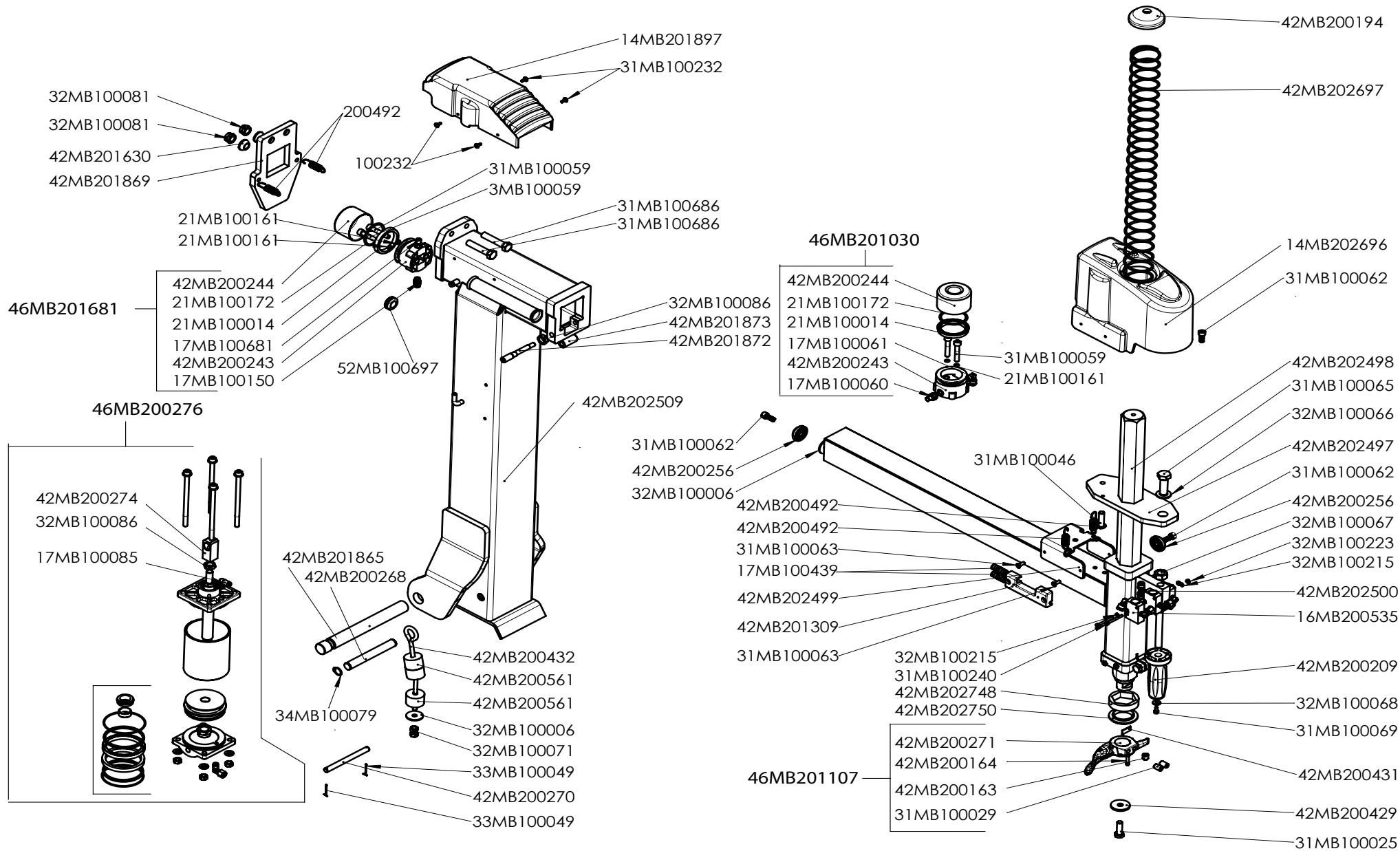
UK

F

D

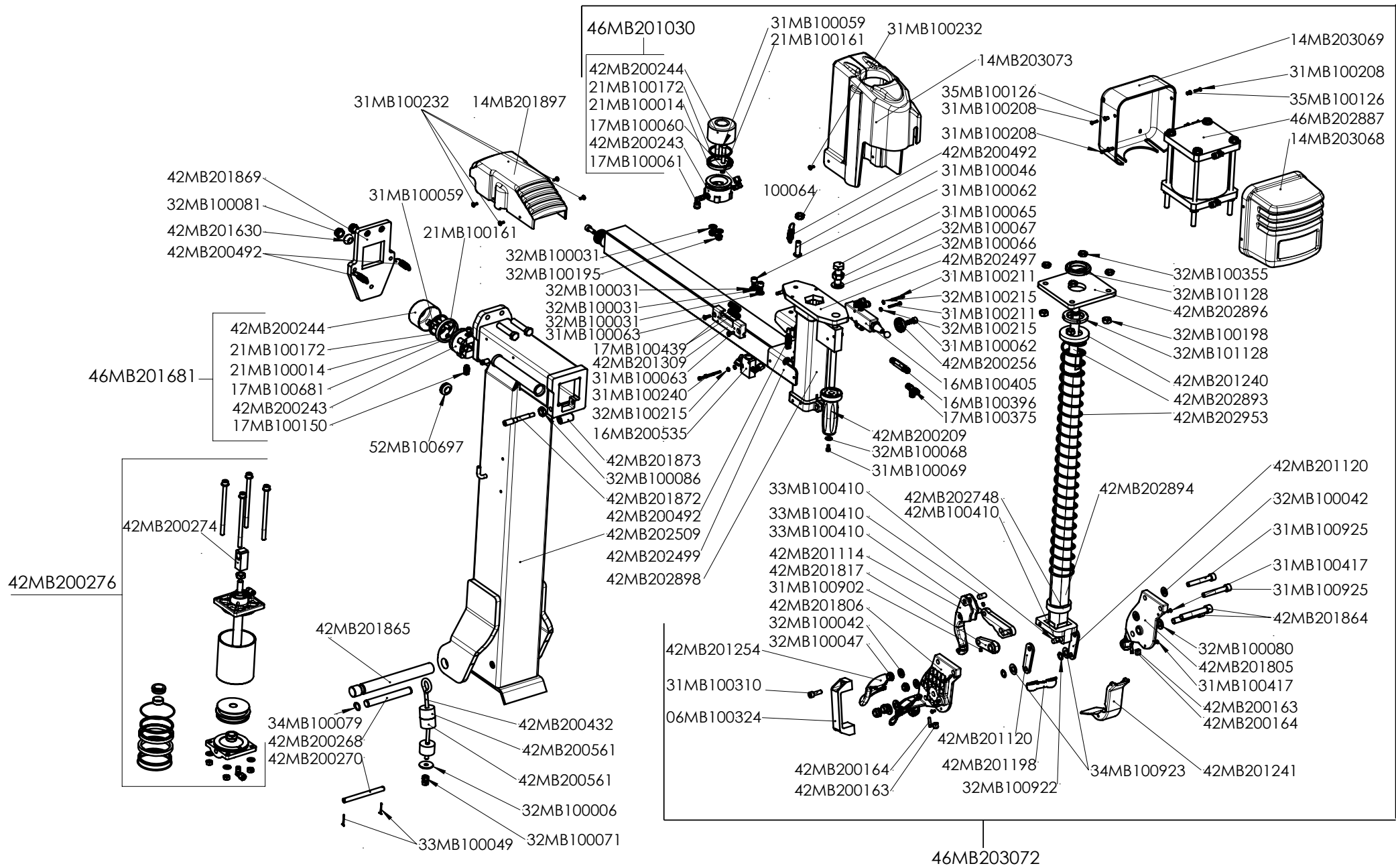
E





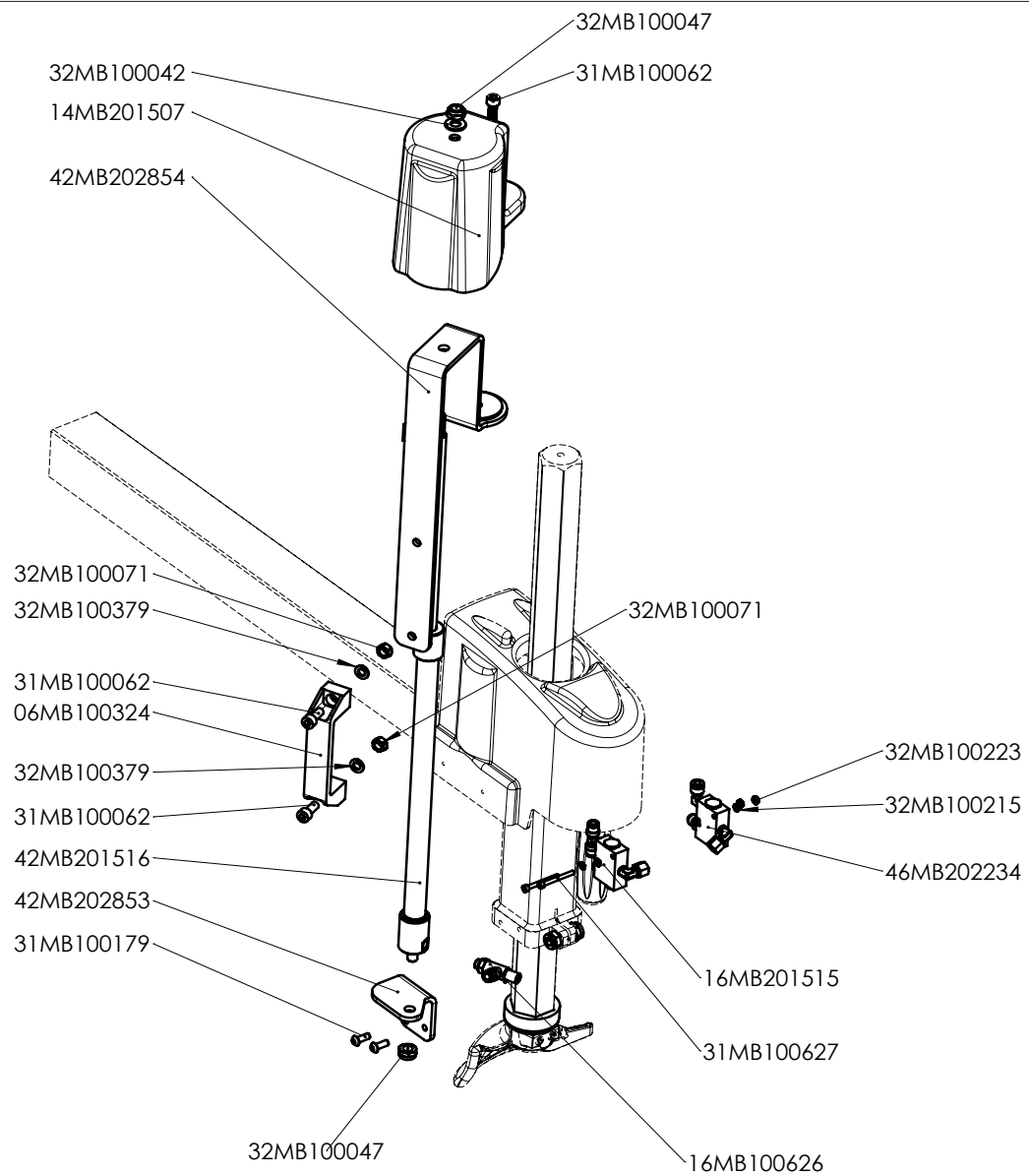
cod. 203175

REV. 1



COD. 202970

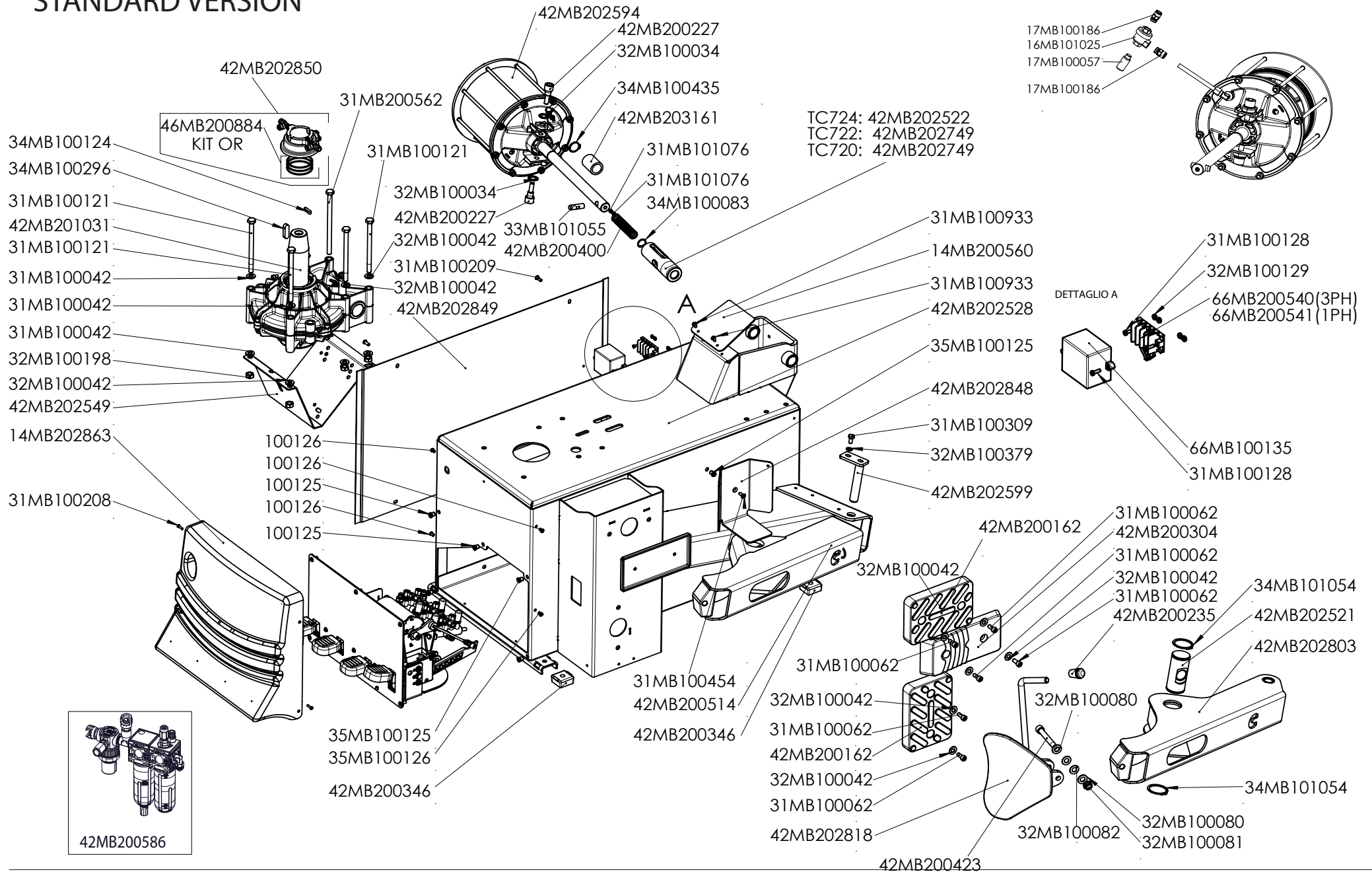
REV. 1



COD. 203163

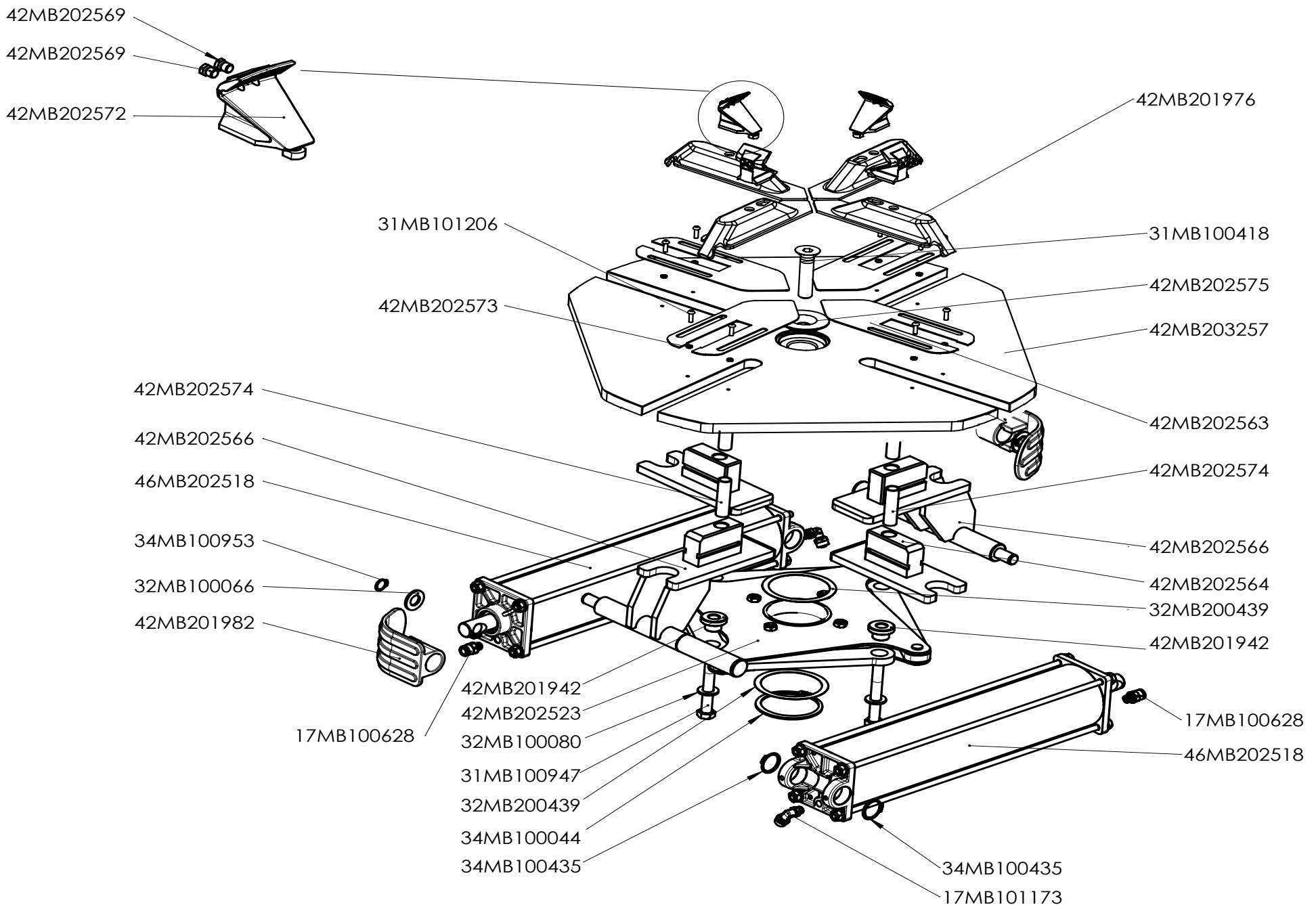
REV. 0

STANDARD VERSION

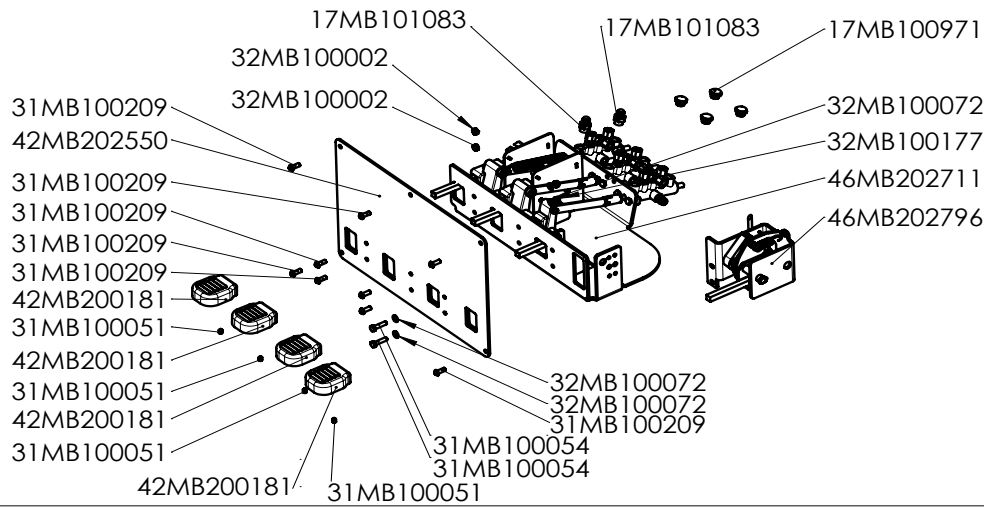


cod. 203164

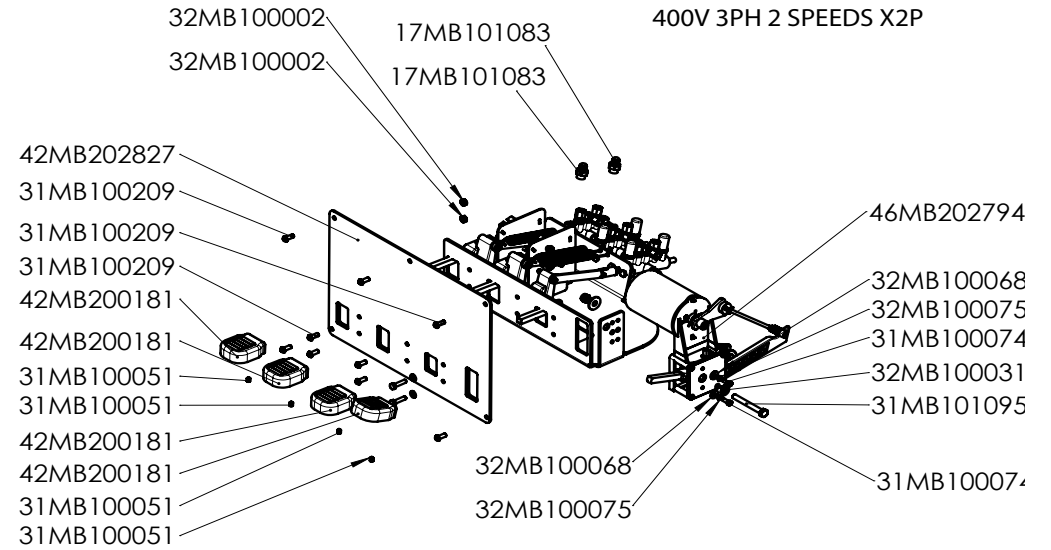
REV. 0



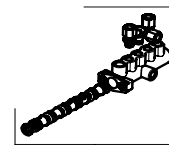
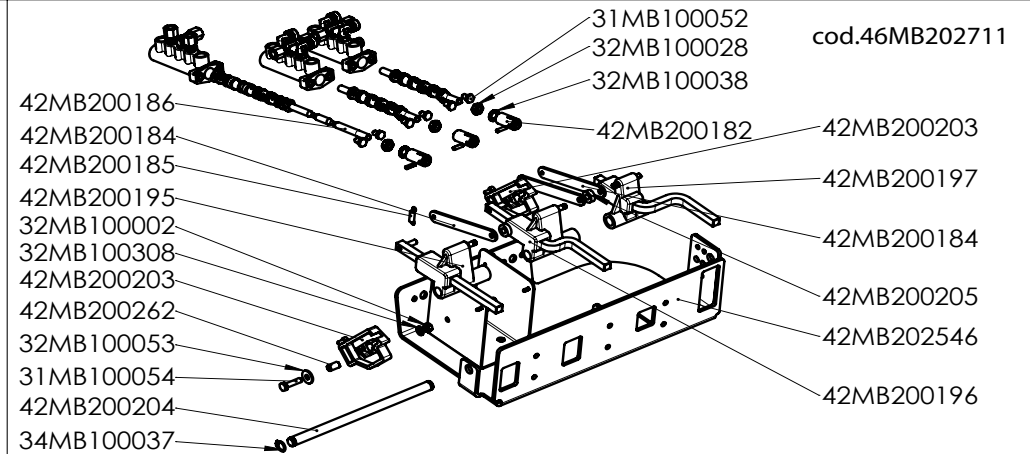
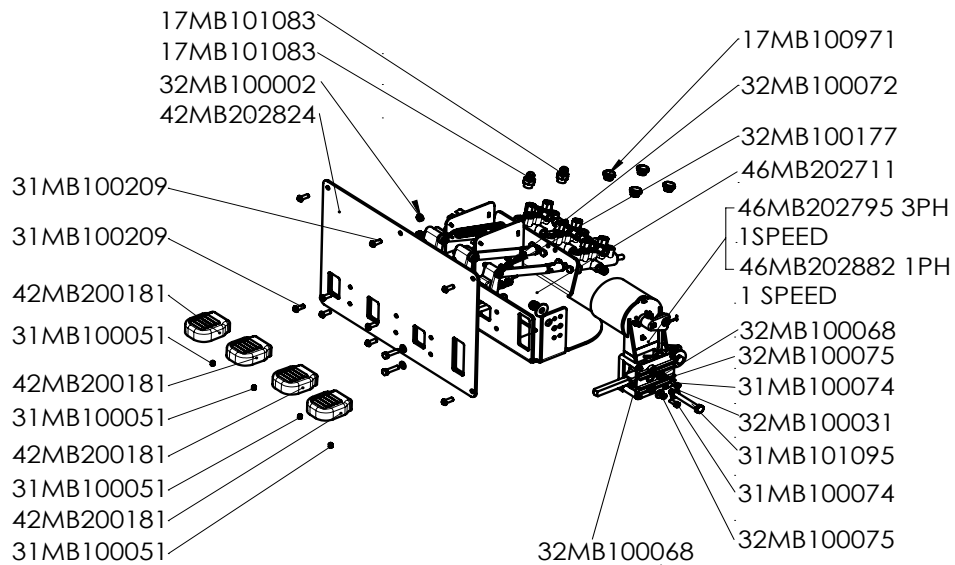
230V 1PH MOTOINVERTER 50/60HZ



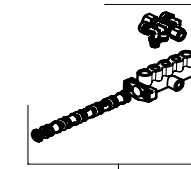
400V 3PH 2 SPEEDS X2P



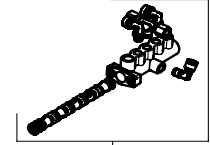
400V/230V 3PH 1 SPEED
230V 1PH 50/60Hz



COD.46MB203146
RUBINETTO PALO

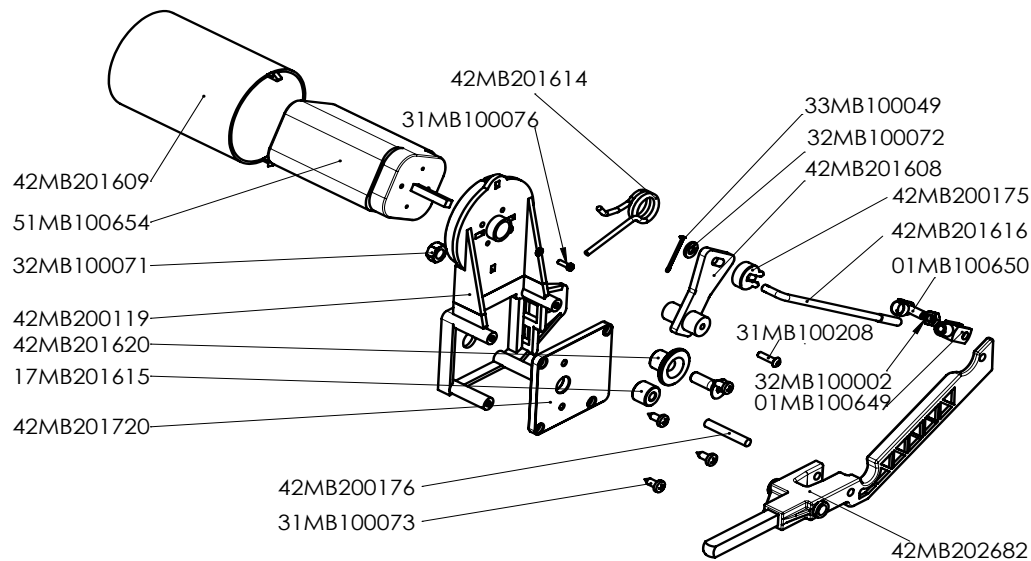


COD.46MB203147
RUBINETTO AUTOCENT.

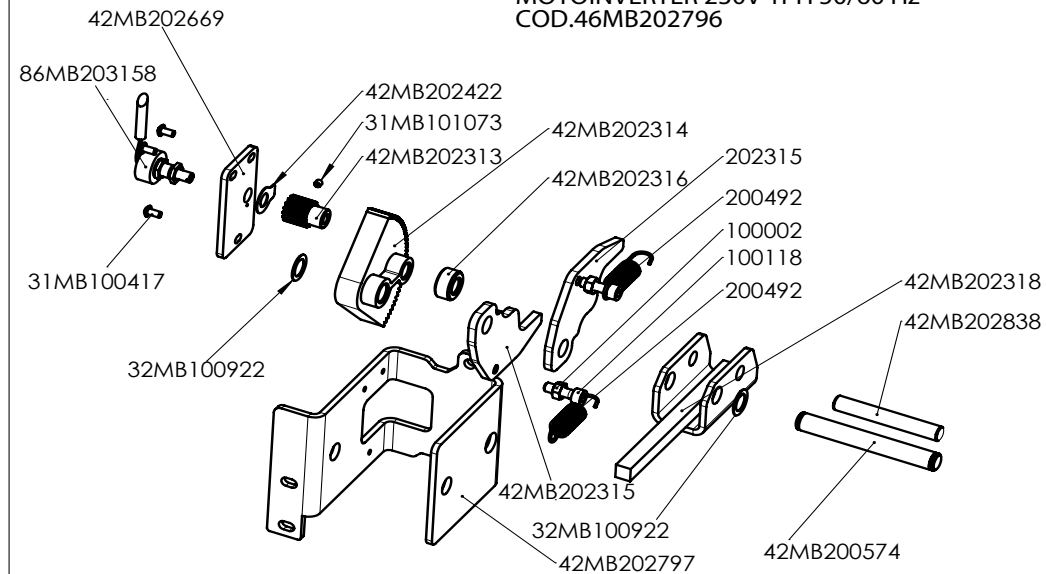


COD.46MB203148
RUBINETTO STALL.

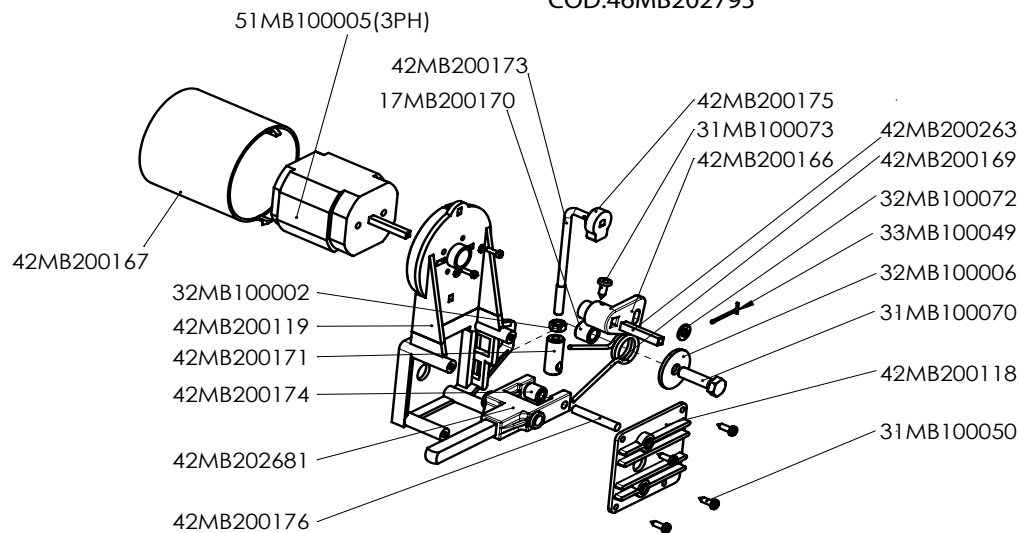
400V/230v 3PH 2SPEEDS 50/60 Hz
COD.46MB202794



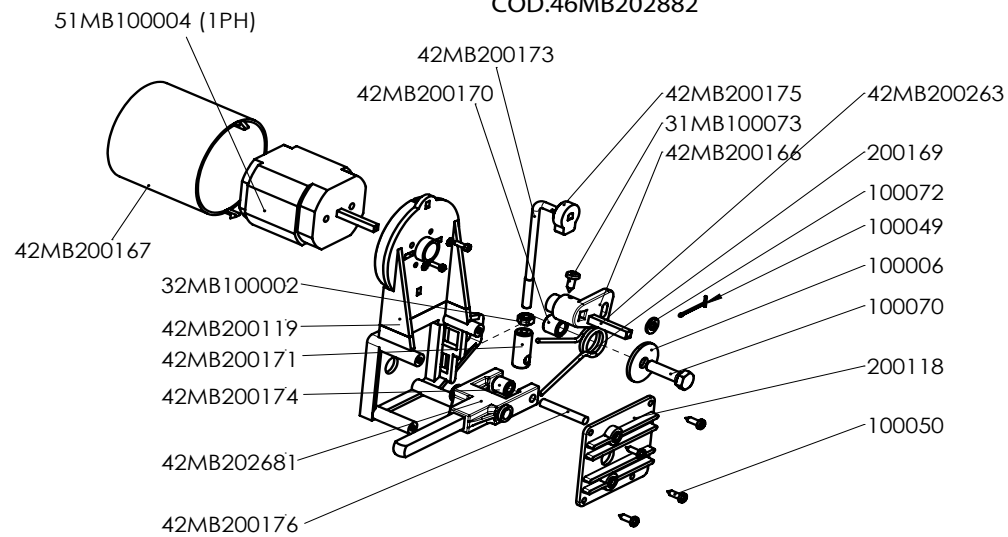
MOTOINVERTER 230V 1PH 50/60 Hz
COD.46MB202796



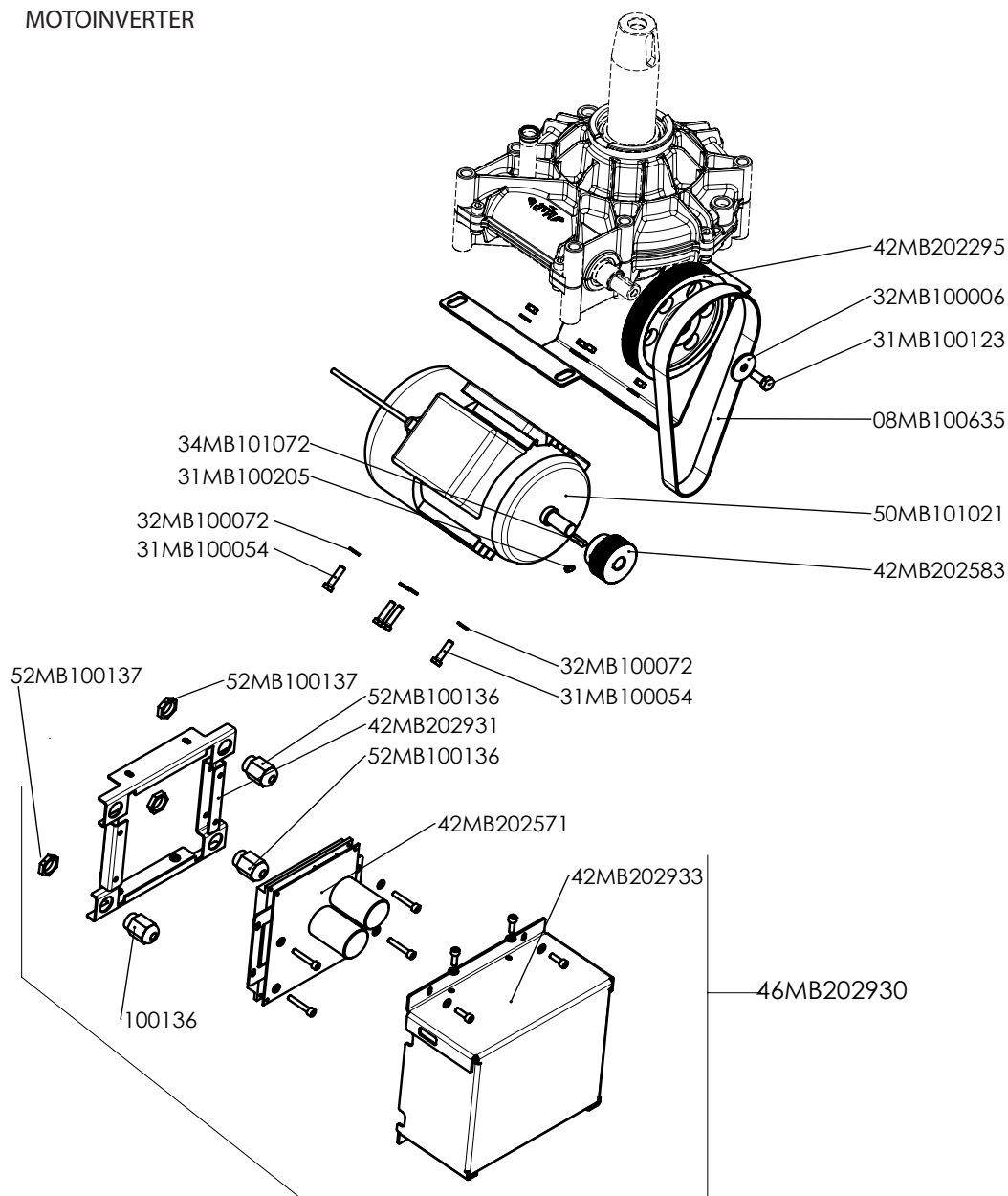
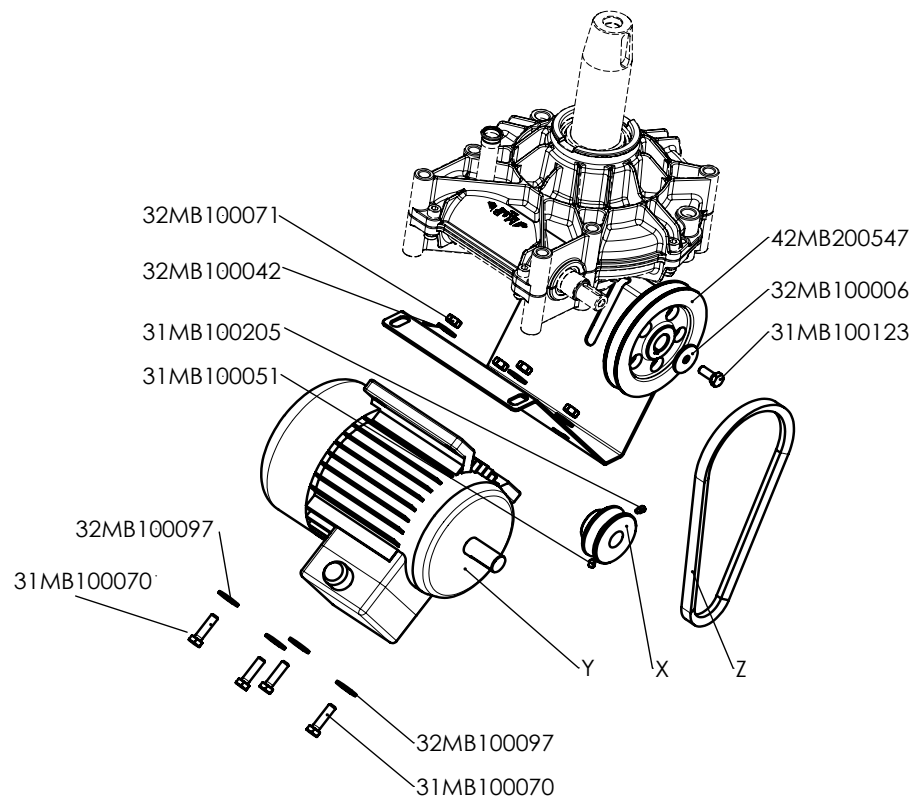
400V/230v 3PH 1SPEED 50/60 Hz
COD.46MB202795



230v 1PH 1SPEED 50/60 Hz
COD.46MB202882



MOTOINVERTER

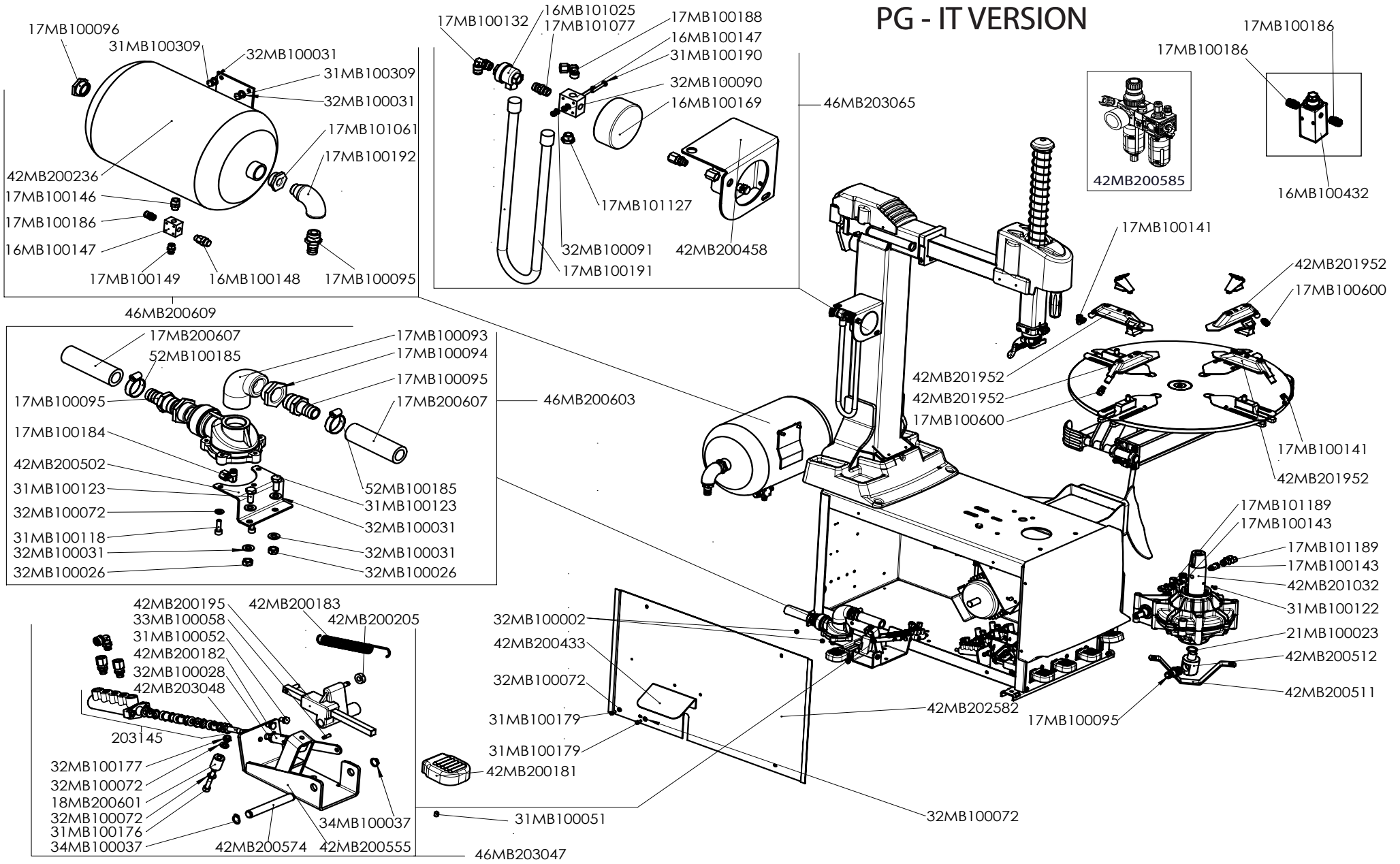


| TENSIONE | PULEGGIA MOTORE(X) | MOTORE(Y) | CINGHIA (Z) |
|-------------------------|-----------------------|----------------|----------------|
| 400V 3PH 50/60Hz(2vel.) | COD.42MB200544 | COD.50MB100388 | COD.08MB100740 |
| 230V 1PH 50/60Hz | COD.42MB200545 | COD.50MB100102 | COD.08MB100740 |
| 230V 3PH 50/60Hz(2vel.) | COD.42MB200544 | COD.50MB100412 | COD.08MB100740 |
| 110V 1PH 60Hz | COD.42MB200543 | COD.50MB100158 | COD.08MB100882 |

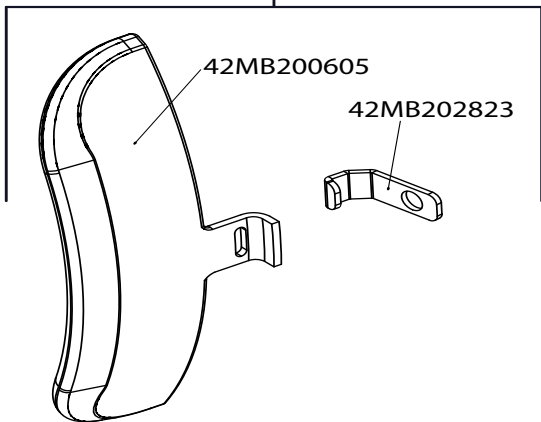
cod. 203168

REV. 1

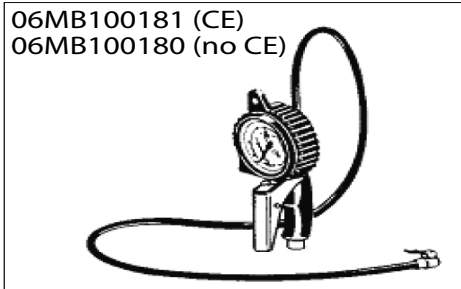
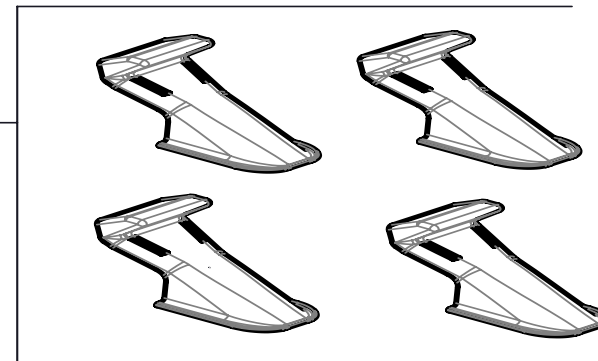
PG - IT VERSION



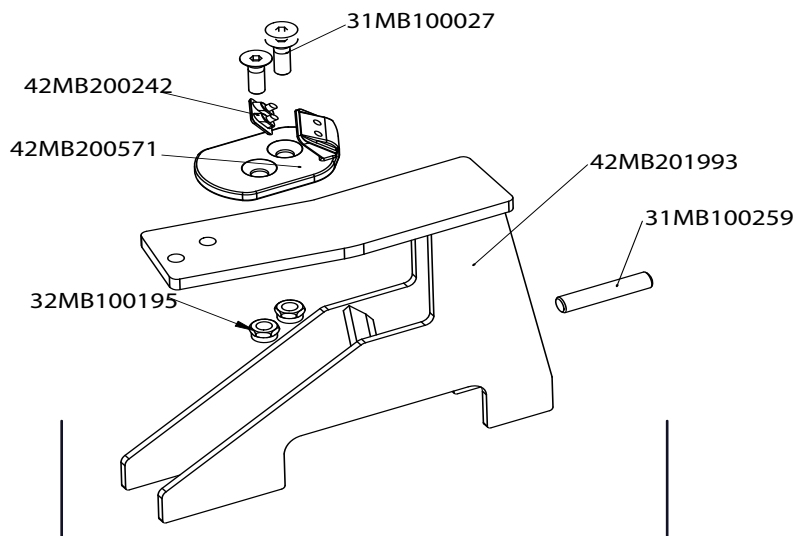
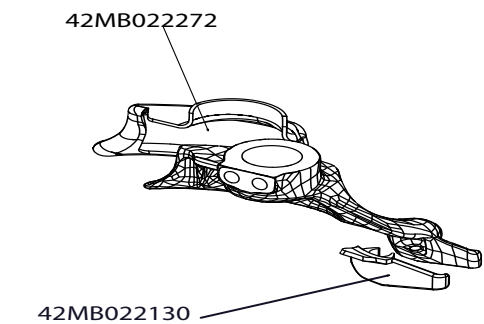
46MB203338



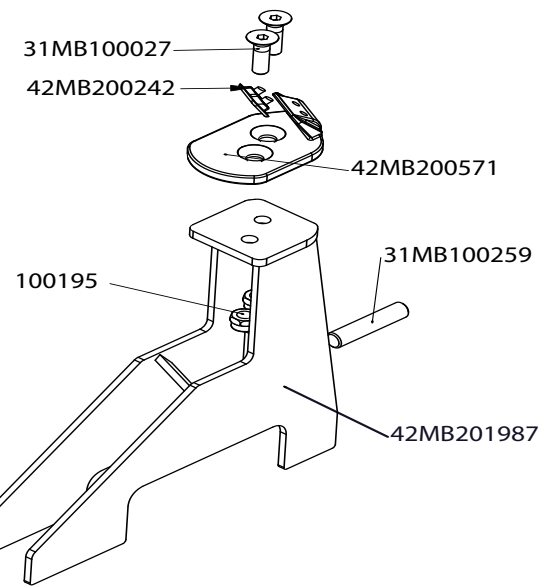
42MB022021



42MB022359



46MB202011 KIT N°4



46MB202010 KIT N°4

OPTIONAL

COD. 203170

REV. 1