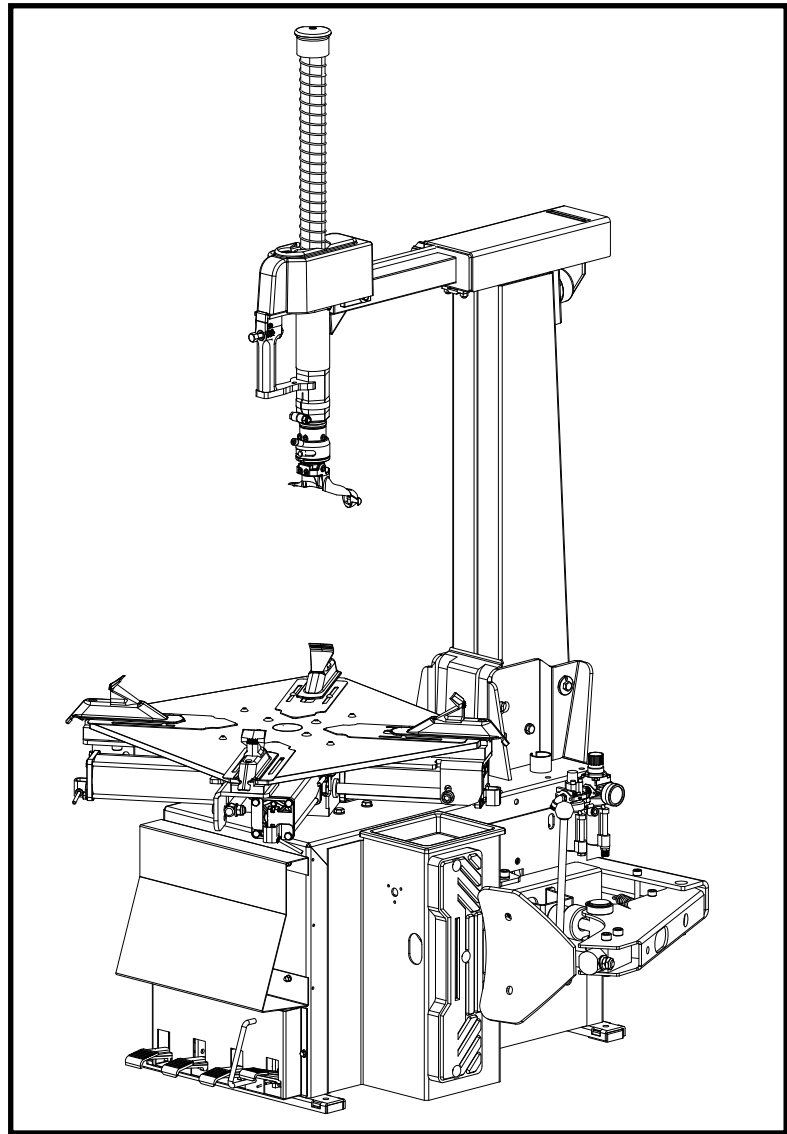
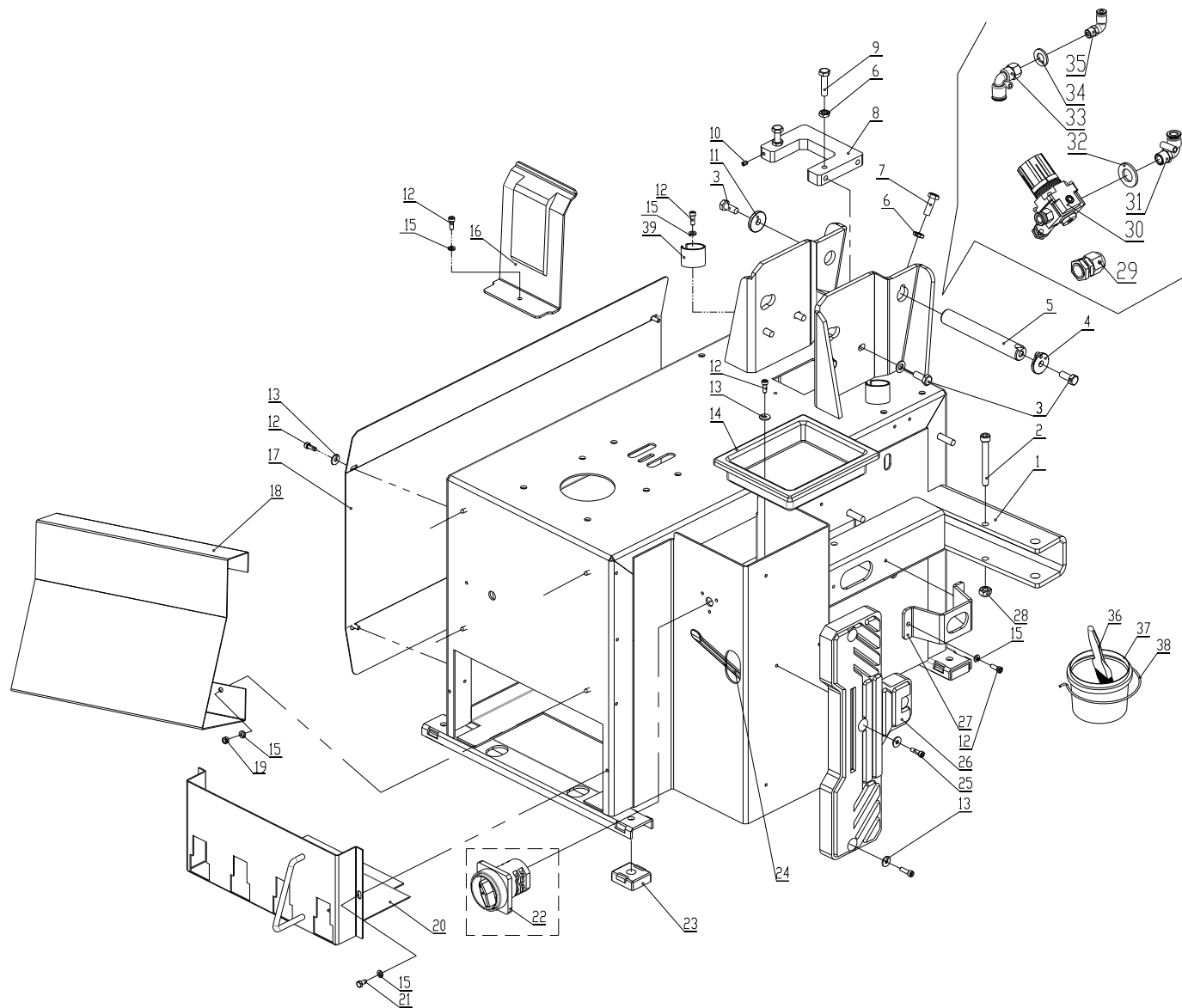


ED. 09/2012

PART CATALOGUE
STD-244
TIRE CHANGER





TAV.1.3	BODY	ED. 09/12
---------	------	-----------

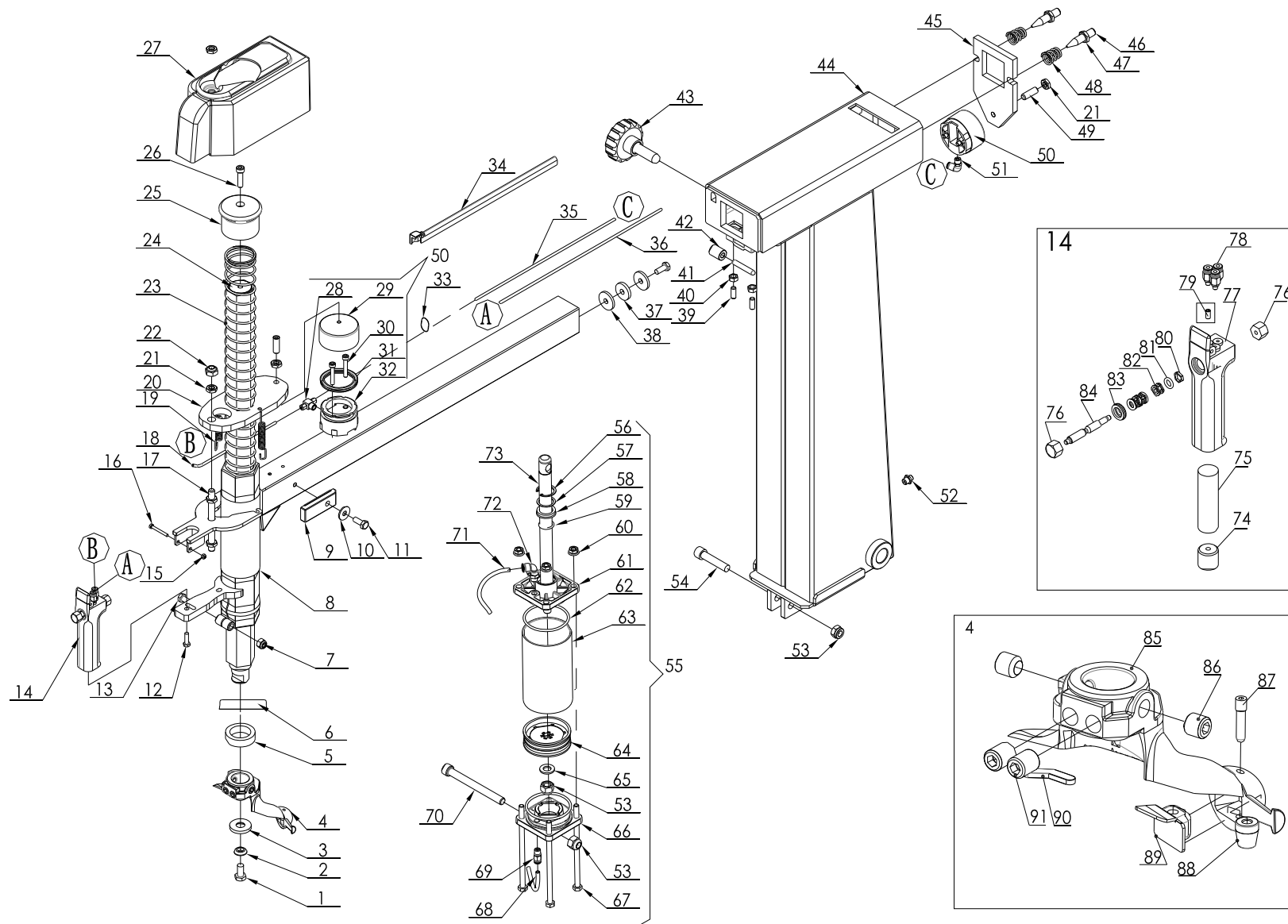
ITEM	PART NUMBER	DESCRIPTION	QTY	REMARK
1	C24A1001000	Shell	1	
2	0202067	Screw M10X85 - GB/T70.1	1	
3	0201064	Screw M10X25 - GB/T5783	6	
4	YC3-2416496	Washer	1	
5	YC2-3000206	Pivot	1	
6	0204012	Nut M10 - GB/T6172.1	4	
7	0201049	Screw M10X30 - GB/T5783	2	
8	YC2-3012312	Spacer	1	
9	0201068	Screw M10X40 - GB/T5782	2	
10	0209010	Screw M6X10	2	
11	YC2-3000495	Washer - GB/T78	1	
12	0202032	Screw M6X16 - GB/T70.1	11	
13	0205007	Washer D.6 - GB/T96	9	
14	203B-3018314	Cover	1	
15	0205006	Washer D.6 - GB/T97.1	9	
16	YC2-3012450	Protection	1	
17	YC2-3012269	Side cover	1	
18	203B-3011970	Front panel	1	
19	0203004	Nut M6 - GB52	4	
20	YC2-2412453	Pedal support	1	
21	0201011	Screw M6X12 - GB/T70.1	4	
22	0505008	Dual speed switch	1	Optional for 3PH
23	YC1-3002099	Rubber foot	4	
24	0511039	Bead lifting lever 20"	1	
25	0202033	Screw M6X20 - GB/T70.1	4	
26	YC1-3002102	Wheel support	1	
27	C24E100002	Shock-absorber support	1	

TAV.1.3

BODY

ED. 09/12

28	0204005	Self-locking nut M10 - GB/T889.1	1
29	0507115	Cable relief 18	1
30	YC2-2010781-1	Safety valve unit 3.5bar	1
31	0306037	90° quick union 8-1/4	1
32	0205013	Washer D.12	1
33	0306034	90° quick union 8-1/8	1
34	0205011	Washer D.10 - GB/T97.1	5
35	0306035	90° quick union 4-1/8	1
36	0511063	Grease brush	1
37	YC1-4299984	Grease cup	1
38	YC1-3000069	Spring	1
39	YCQ-3009511-B	Quick change union storage	1



TAV.2.6

HORIZ. AND VERT. ARMS

ED. 09/12

ITEM	PART NUMBER	DESCRIPTION	QTY	REMARK
1	0201059	Screw M10X16 - GB/T5783	1	
2	YC1-4295805	Spherical washer	1	
3	YC1-4295804	Conical washer	1	
4	YC1-2002215	Mounting tool unit	1	
5	YC1-3002601	Shock absorber	1	
6	YC1-3002602	Protection	1	
7	0204004	Nut M8 - GB/T889.1	1	
8	YC2-2415593A	Horizontal arm	1	
9	YC2-3007935	Limit block	1	
10	0205009	Washer D.8 - GB/T96	1	
11	0201042	Screw M8X20 - GB/T5783	2	
12	0201014	Screw M6X20 - GB/T5783	1	
13	0201037	Screw M8X40 - GB/T5782	1	
14	YC2-2008335	Arm control valve	1	
15	0204001	Self-locking nut M4 - GB/T889.1	1	
16	0201003	Screw M4X35 - GB/T5780	1	
17	YC2-3012459	Special screw M10	1	
18	0306092	Rilsan hose 4X2 L=250 yellow	1	
19	YC2-3002273	Spring	2	
20	YC2-3006106	Arm locking plate	1	
21	0204012	Nut M10 - GB/T6172.1	6	
22	0204005	Self-locking nut M10 - GB/T889.1	1	
23	104-3005407	Spring	1	
24	YC2-3011391	Hexagonal arm	1	
25	YC1-3001759	Arm knob	1	
26	0202049	Screw M8X30 - GB/T70.1	1	
27	YC2-3015860	Arm frame	1	

TAV.2.6	HORIZ. AND VERT. ARMS	ED. 09/12
---------	-----------------------	-----------

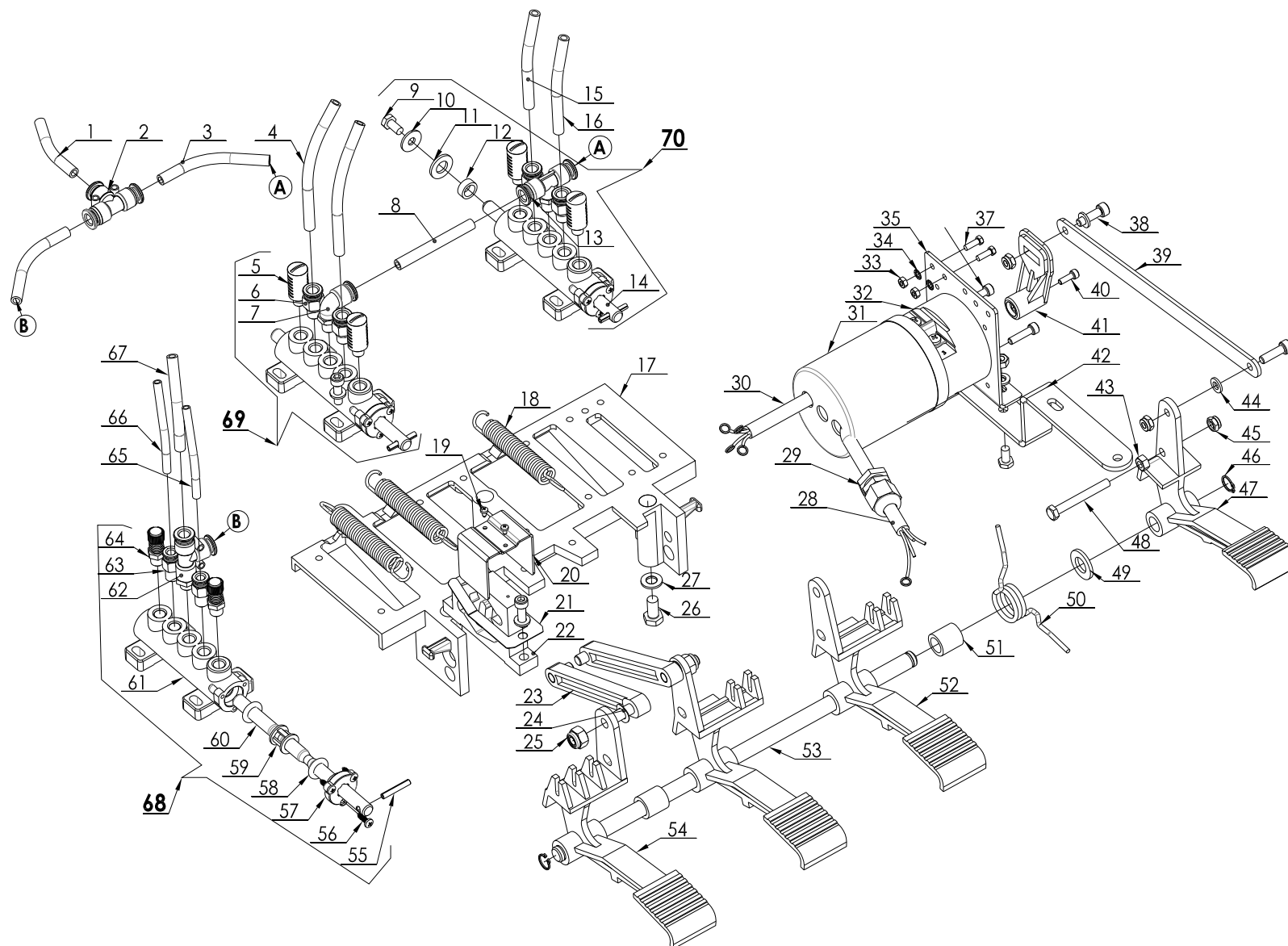
28	0306063	Rotation T union 4-1/8	1
29	YC2-4299524	Cylinder liner	1
30	0202027	Screw M6X35 - GB/T70.1	2
31	YC2-4299522	Seal 60X50X5	1
32	YC2-4299523	Piston	1
33	0508197	Nylon band 3X60	1
34	YC2-3002602	Guide	1
35	0306092	Rilsan hose 4X2 L=1000 yellow	1
36	0306092	Rilsan hose 4X2 L=2350 red	1
37	YC2-300181	Washer	1
38	YC2-4399947	Spacer	2
39	0209019	Screw M8X20 - GB/T77	2
40	0203008	Nut M8 - GB/T6170	2
41	YC2-3002475	Parallel pin	1
42	YC2-3002474	Roller	1
43	YC2-2004020	Hand wheel	1
44	C24E3001000	Vertical post	1
45	YC2-3015676	Arm locking plate	1
46	YC2-3015677	Special screw	2
47	0204016	Nut M12 - GB/T6172.1	2
48	YC2-3016043	Spring	2
49	0209022	Screw M10X30 - GB/T77	2
50	YC2-2099665	Locking cylinder	1
51	0306035	90° quick union 4-1/8	1
52	0215020	Greaser 10X1	1
53	0204007	Self-locking nut M12 - GB/T889.1	3
54	YC2-3000599	Pivot pin	1

TAV.2.6	HORIZ. AND VERT. ARMS	ED. 09/12
---------	-----------------------	-----------

55	YC2-2002831	Tilting cylinder	1
56	0211004	Seeger D.30 - GB/T893.1	1
57	YC1-4398146	Washer	1
58	0606016	Scraper 20X30X7	1
59	0606004	O-ring 20X2.75	1
60	0204025	Flange nut M8 - GB/T6177.1	4
61	YC1-3015024	Flange	1
62	0606007	O-ring 75X3.55	2
63	YC2-3008084	Cylinder liner	1
64	YC1-4198856-2	Piston	1
65	0205013	Washer D.12 - GB/T97.1	1
66	YC1-3015023	Flange	1
67	YC2-3008085	Special screw M8X162	4
68	0306095	Rilsan hose 6X4 L=1100	1
69	0306046	90° quick union 6-1/8	1
70	0202069	Screw M12X120 - GB/T70.1	1
71	0306095	Rilsan hose 6X4 L=1200	1
72	0306036	90° quick union 6-1/8	1
73	YC2-3002624	Piston rod	1
74	YC2-3013355	Bottom cap	1
75		Fabric insert	1
76	YC2-3012721	Aluminum nut	2
77	YC2-3012487	Valve body	1
78	0306111	Quick union 4-M5	3
79	0209052	Screw M5X10 - GB/T77	1
80	YC2-3007646	Locking ring	1
81	YC2-4400804	O-ring	4

TAV.2.6	HORIZ. AND VERT. ARMS	ED. 09/12
---------	-----------------------	-----------

82	YC2-3007647	Spacer	3
83	YC2-3007645	Cap	1
84	YC2-3007644	Valve pin	1
85	YC1-3007801	Mounting tool	1
86	0209020	Screw M12X12 - GB/T80	2
87	YC1-3009018	Special screw	1
88	YC1-3000215	Peak roll	1
89	YC1-3006689	Plastic insert	1
90	YC1-3013650	Rim protection	1
91	0209015	Screw M12X16 - GB/T80	2



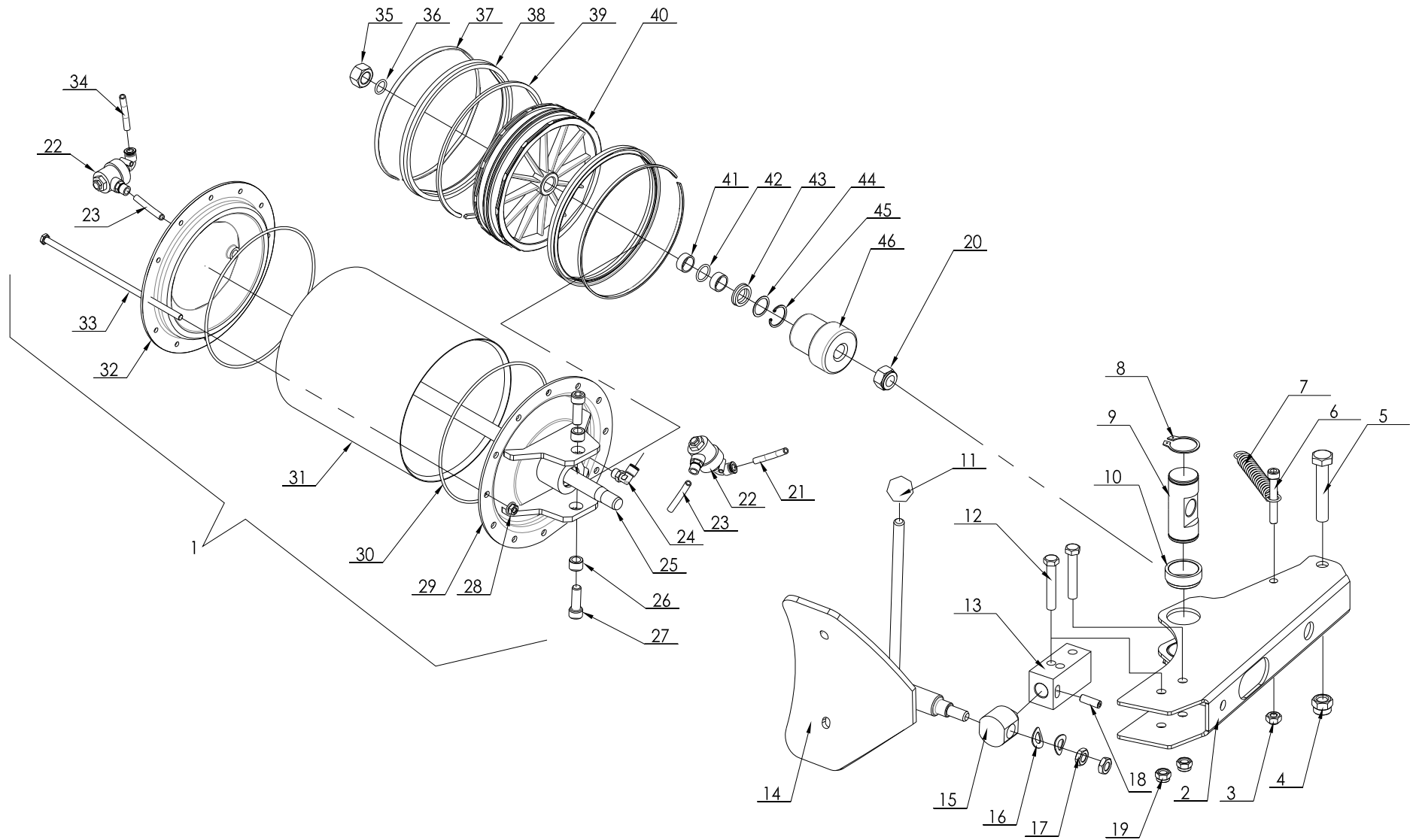
ITEM	PART NUMBER	DESCRIPTION	QTY	REMARK
1	0306097	Rilsan hose 8X5 L=1000	1	
2	0306022	Quick T union D.8	1	
3	0306097	Rilsan hose 8X5 L=270	2	
4	0306097	Rilsan hose 8X5 L=850	2	
5	0306059	Silencer 1/8	4	
6	0306045	Quick union 8-1/8	4	
7	0306033	90° quick union 8-R1/8	1	
8	0306097	Rilsan hose 8X5 L=70	1	
9	0201011	Screw M6X12 - GB/T5783	3	
10	0205007	Washer D.6 - GB/T96	1	
11	0205011	Washer D.10 - GB/T97.1	1	
12	YC1-4197629	Nylon washer	1	
13	0306023	Quick T union 8-1/8	1	
14	YC1-3007598	Valve pin 3	1	
15	0306097	Rilsan hose 8X5 L=700	1	
16	0306097	Rilsan hose 8X5 L=800	1	
17	YC1-3002161	Pedal box base	1	
18	YC1-3013333	Pedal return spring	3	
19	0207034	Self-tapping screw ST2.9X6.5 - GB/T845	2	
20	YC1-3099910	Connection rod guide	1	
21	YC2-4299910	Forked leaf spring	1	
22	YC1-4299913	Double cam	1	
23	YC1-4299912	Connection rod	2	
24	0215019	Washer D.8 - GB/T860	2	
25	0204004	Nut M8 - GB/T889.1	2	
26	0201026	Screw M8X16 - GB/T5783	3	
27	0205008	Washer D.8 - GB/T97.1	3	

TAV.3.2	PEDAL BOX	ED. 09/12
---------	-----------	-----------

28	0506016	Power cable L=3500	1	
29	0507115	Cable holder	1	
30	0506016	Motor cable L=1500	1	
31	YC1-3015344	Reverser cover	1	
32a	0505009	Reverser 40A	1	
32b	0505040	Dual speed reverser 32A	1	Optional for 3PH
33	0203002	Nut M4 - GB52	2	
34	0211016	Washer D.4 - GB/T862.2	2	
35	YC1-3015340	Reverser support	1	
36	0202021	Screw M5X20 - GB/T70.1	2	
37	0201004	Screw M4X12 - GB/T5781	2	
38	0202033	Screw M6X20 - GB/T70.1	12	
39	YC1-3015341	Connection rod	1	
40	0202004	Screw M4X12 - GB/T70.1	1	
41	YC1-3000175	Reverser lever	1	
42	YC1-3015342	Support	1	
43	0203004	Nut M6 - GB52	3	
44	0205006	Washer D.6 - GB/T97.1	14	
45	0204003	Nut M6 - GB/T889.1	3	
46	0212001	Seeger D.12 - GB/T894.1	2	
47	YC1-3002157	Pedal A	1	
48	0201016	Screw M6X50 - GB/T5782	1	
49	0205013	Washer D.12 - GB/T97.1	1	
50	YC1-3000142	Pedal control spring	1	
51	YC1-3007953	Bush	2	
52	YC1-3002159	Pedal B	2	
53	YC2-3003095	Pedal alignment pin	1	

TAV.3.2	PEDAL BOX	ED. 09/12
---------	-----------	-----------

54	YC2-3002160	Pedal C	1
55	0213003	Elastic pin 4X25 - GB/T879.1	3
56	0207032	Self-tapping screw ST3.5X13 - GB/T845	9
57	YC1-3001585	Valve flange	3
58	YC1-4299000	O-ring 17X4	18
59	YC1-3001584	Valve spacer	15
60	YC1-3002442	Valve pin 1	2
61	YC1-3001583	Valve body	3
62	0306021	Quick T union 8-1/8	1
63	0306046	Quick union 6-1/8	2
64	0306013	Silencer outlet adjuster 1/8	2
65	0306095	Rilsan hose 6X4 L=1200	1
66	0306095	Rilsan hose 6X4 L=1000	1
67	0306097	Rilsan hose 8X5 L=1200	1
68	YC2-2002531	Tilting control valve unit	1
69	YC1-2002529	Turntable valve unit	1
70	YC1-2006297	Bead breaking valve unit	1

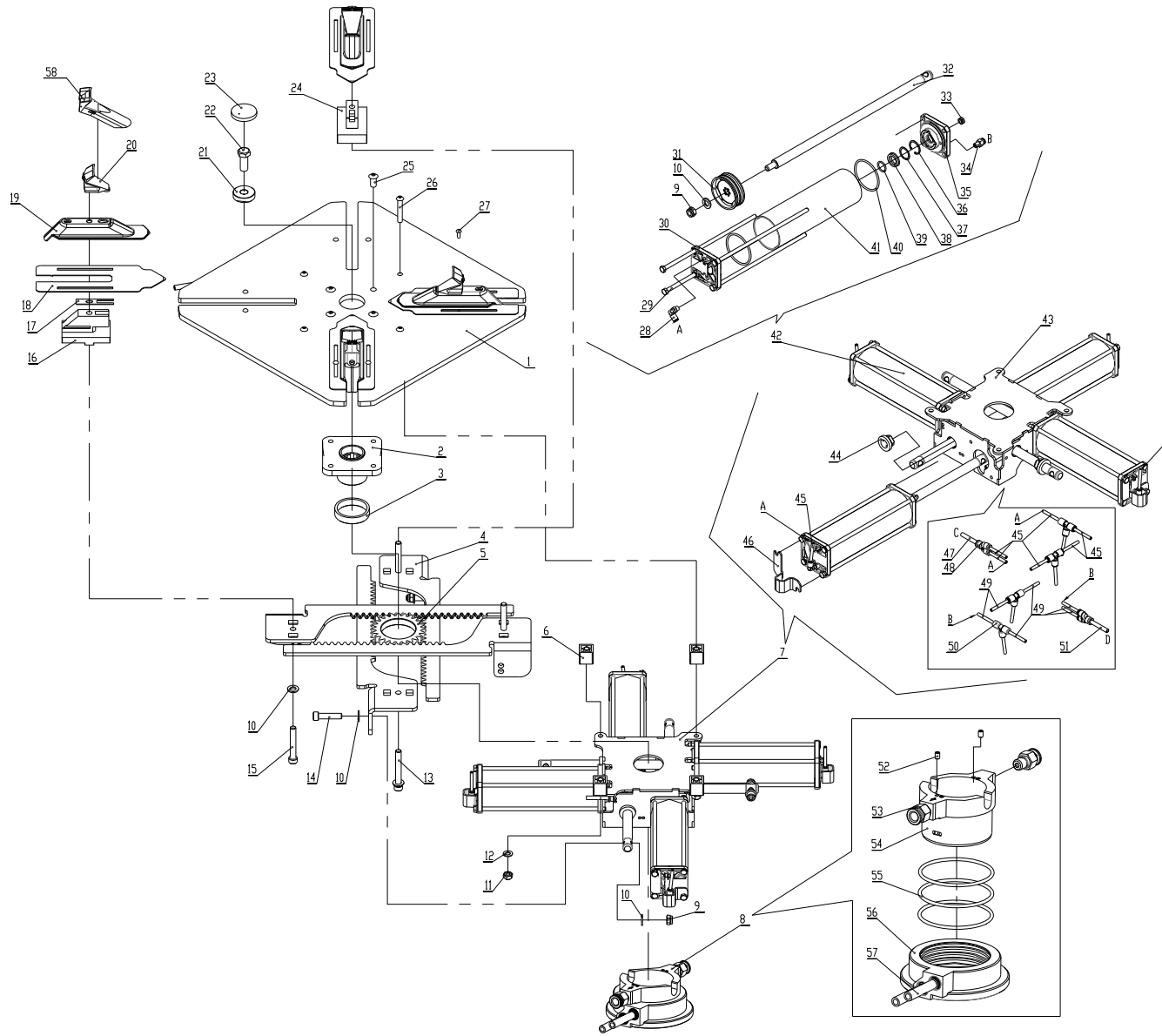


TAV.4.5	BEAD BREAKER	ED. 09/12
---------	--------------	-----------

ITEM	PART NUMBER	DESCRIPTION	QTY	REMARK
1	YC2-2015850B	Bead breaker cylinder unit	1	
2	C24E5201000	Bead breaker arm	1	
3	0204005	Self-locking nut M10 - GB/T889.1	1	
4	0204008	Self-locking nut M16 - GB/T889.1	1	
5	0201099	Screw M16X90 - GB/T5782	1	
6	0202057	Screw M10X70 - GB/T70.1	1	
7	YC1-3000114A	Arm spring	1	
8	0212008	Seeger D.40 - GB/T894.1	2	
9	C204000004	Pivot pin	1	
10	C24E5200003	Bush	2	
11	YC1-4299952	Knob	1	
12	0201044	Screw M12X70	2	
13	C24E5200001	Pivot support	1	
14	C24E5202000	Bead breaker plate	1	
15	C24E5200002	Pivot	1	
16	0211015	Wave washer D.14	2	
17	0204013	Nut M14 - GB/T6172.1	2	
18	0209022	Screw M10X30	1	
19	0204007	Self-locking nut M12 - GB/T889.1	1	
20	0204009	Self-locking nut M18 - GB/T889.1	1	
21	0306097	Rilsan hose 8X5 L=700	1	
22	0306160	Quick relief valve	2	
23	0306097	Rilsan hose 8X5 L=80	2	
24	0306037	90° quick union 8-1/4	2	
25	YC2-3007852-B	Cylinder shaft	1	
26	YC1-3015573	Bush	2	
27	0202071	Screw M12X35 - GB/T70.1	2	

TAV.4.5	BEAD BREAKER	ED. 09/12
---------	--------------	-----------

28	0204025	Flange nut M8 - GB/T6177.1	12
29	C207010100	Front flange	1
30	0606011	O-ring195X3.55 - GB/T3452.1	2
31	C207010006	Cylinder liner	1
32	C207010007	Back flange	1
33	C207010005	Screw M8X255	12
34	0306097	Rilsan hose 8X5 L=750	1
35	0203022	Nut M18X1.5 - GB/T6171	1
36	0309084	O-ring16X2.65 - GB3452.1	1
37	C207010008	Seal support ring	2
38	C207010004	Seal188X200X12	2
39	C207010001	Guiding ring	1
40	C207010002	Piston	1
41	0305041	Guiding ring 67X9.5X2	2
42	0606004	O-ring 20X2.75 - GB3452.1	1
43	0606016	Scraper 20X30X7	1
44	YC1-4398146	Washer	1
45	0211004	Seeger D.30 - GB/T893.1	1
46	YC1-3008991	Shock absorber	1
47	0204009	Self-locking nut M18 - GB/T889.1	1



TAV.5.3	SELF-CENTERING TURNTABLE	ED. 09/12
---------	--------------------------	-----------

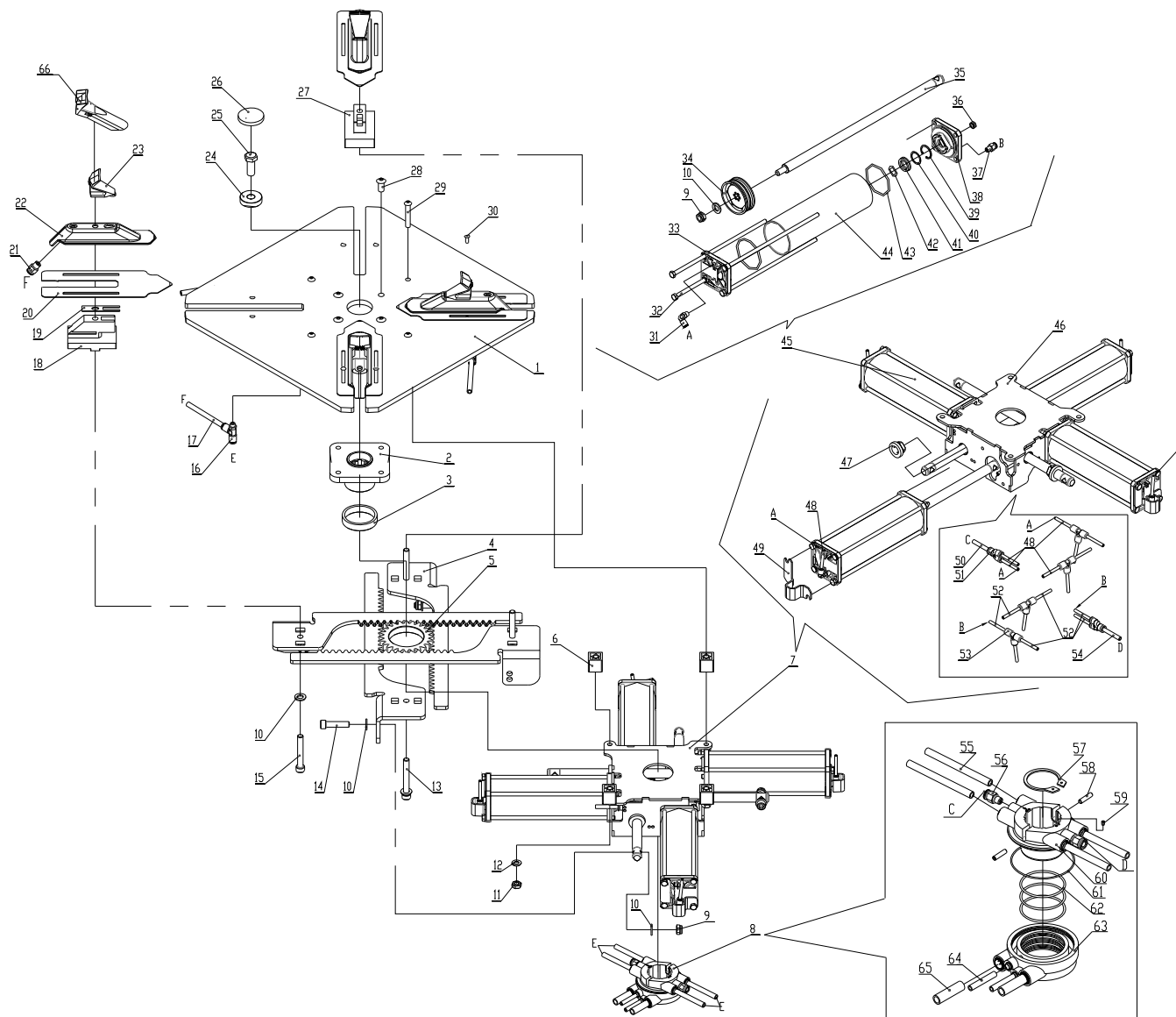
ITEM	PART NUMBER	DESCRIPTION	QTY	REMARK
1	C23A600001	Turntable	1	
2	C26A600300	Turntable flange	1	
3	C26A600003	Bush	1	
4	C26A600005	Rack	4	
5	C26A600004	Gear	1	
6	C26A600008	Nylon support	4	
7	C24E610000	Four cylinder unit	1	
8	C24E400000	Rotation union	1	
9	0204007	Self-locking nut M12 - GB/T889.1	8	
10	0205013	Washer D.12 - GB/T97.1	16	
11	0204005	Self-locking nut M10 - GB/T889.1	4	
12	0205011	Washer D.10 - GB/T97.1	4	
13	0202095	Screw M12X90 - GB/T70.1	2	
14	0202077	Screw M12X50 - GB/T70.1	4	
15	0202092	Screw M12X80 - GB/T70.1	2	
16	C26A600007	Nylon slide support B	2	
17	C26A600011	Steel shim	4	
18	C24E600002	Turntable plate	4	
19	C26A600200	Slide	4	
20	C26A600010	Oversize clamp	4	
21	YC1-3009778	Washer	1	
22	0201100	Screw M16X1.5X40 - GB/T5785	1	
23	YC1-3000062	Turntable cap	1	
24	C26A600006	Nylon slide support A	2	
25	0206062	Screw M12X25 - GB/T70.2	4	
26	0206052	Screw M10X60 - GB/T70.2	4	
27	0215061	Rivet 5X15 - GB/T867	8	

TAV.5.3	SELF-CENTERING TURNTABLE	ED. 09/12
---------	--------------------------	-----------

28	0306040	90° quick union 6-1/8	4
29	C24E611003	Special screw	4
30	C26A620001	Front flange	4
31	YC1-4198856	Piston	4
32	C24E611001	Cylinder shaft	4
33	0203029	Nut M8 - GB/T6170	8
34	0306046	Quick union 6-1/8	4
35	YC1-3015024	Back flange	4
36	0211004	Seeger D.30 - GB/T893.1	4
37	YC1-4398146	Washer	4
38	0606016	Scraper 20X30X7	4
39	0606004	O-ring 20X2.75	4
40	0606007	O-ring 75X3.55	8
41	C24E611002	Cylinder liner	4
42	C24E611000	Turntable cylinder unit	4
43	C26A610100	Cylinder support	1
44	C26A610002	Nylon bush	4
45	0306095	Rilsan hose 6X4 L=2520 black	1
46	C26A610001	U plate	4
47	0306097	Rilsan hose 8X5 L=250 black	1
48	0306171	Quick T union 8-6	2
49	0306123	Rilsan hose 6X4 L=1250 blue	1
50	0306025	Quick T union 6	4
51	0306097	Rilsan hose 8X5 L=250 black	1
52	0209043	Screw M4X6 - GB/T77	4
53	0306142	Quick union 8-1/8	2
54	YC1-4298956-1	Rotation union inner element	1

TAV.5.3	SELF-CENTERING TURNTABLE		ED. 09/12
---------	--------------------------	--	-----------

55	0606006	O-ring 60X2.65	3
56	YC1-2003001	Rotation union outer element	1
57	0306097	Rilsan hose 8X5 L=850 black	2
58	YC1-3001468	Clamp cover	4



TAV.5.4	SELF-CENTERING TURNTABLE GT	ED. 09/12
---------	-----------------------------	-----------

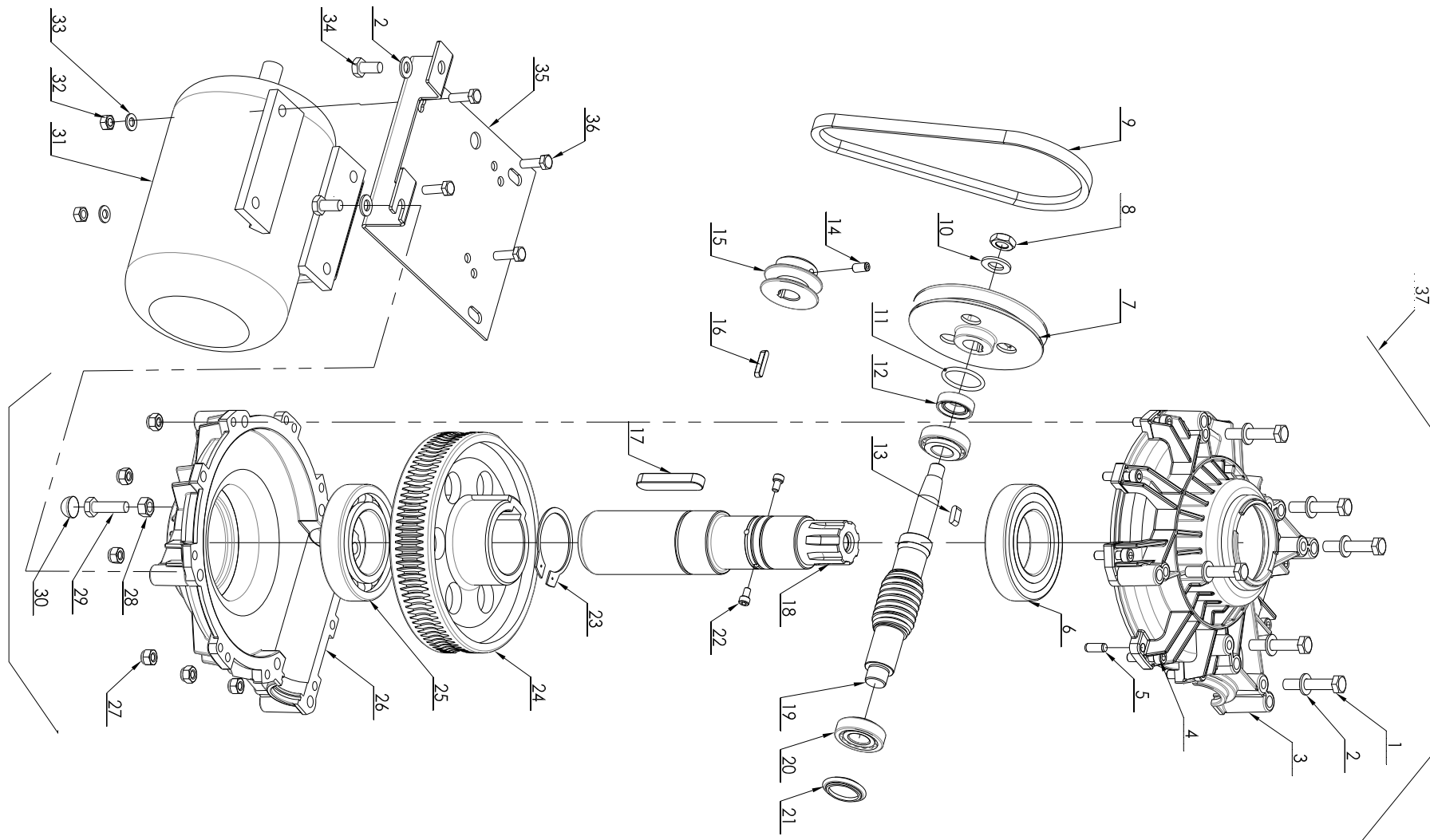
ITEM	PART NUMBER	DESCRIPTION	QTY	REMARK
1	C23A600001	Turntable	1	
2	C26A600300	Turntable flange	1	
3	C26A600003	Bush	1	
4	C26A600005	Rack	4	
5	C26A600004	Gear	1	
6	C26A600008	Nylon support	4	
7	C24E610000	Four cylinder unit	1	
8	YC2-4298992	Rotation union GT	1	
9	0204007	Self-locking nut M12 - GB/T889.1	8	
10	0205013	Washer D.12 - GB/T97.1	16	
11	0204005	Self-locking nut M10 - GB/T889.1	4	
12	0205011	Washer D.10 - GB/T97.1	4	
13	0202095	Screw M12X90 - GB/T70.1	2	
14	0202077	Screw M12X50 - GB/T70.1	4	
15	0202092	Screw M12X80 - GB/T70.1	2	
16	0306135	Quick T union 10-1/8	4	
17	0306094	Rilsan hose 10X6.5 L=300 black	4	
18	C26A600007	Nylon slide support B	2	
19	C26A600011	Steel shim	4	
20	C24E600002	Turntable plate	4	
21	0306143	Quick union 10-1/4	4	
22	C26A600200	Slide	4	
23	C26A600010	Oversize clamp	4	
24	YC1-3009778	Washer	1	
25	0201100	Screw M16X1.5X40 - GB/T5785	1	
26	YC1-3000062	Turntable cap	1	
27	C26A600006	Nylon slide support A	2	

TAV.5.4	SELF-CENTERING TURNTABLE GT	ED. 09/12
---------	-----------------------------	-----------

28	0206062	Screw M12X25 - GB/T70.2	4
29	0206052	Screw M10X60 - GB/T70.2	4
30	0215061	Rivet 5X15 - GB/T867	8
31	0306040	90° quick union 6-1/8	4
32	C24E611003	Special screw	4
33	C26A620001	Front flange	4
34	YC1-4198856	Piston	4
35	C24E611001	Cylinder shaft	4
36	0203029	Nut M8 - GB/T6170	8
37	0306046	Quick union 6-1/8	4
38	YC1-3015024	Back flange	4
39	0211004	Seeger D.30 - GB/T893.1	4
40	YC1-4398146	Washer	4
41	0606016	Scraper 20X30X7	4
42	0606004	O-ring 20X2.75	4
43	0606007	O-ring 75X3.55	8
44	C24E611002	Cylinder liner	4
45	C24E611000	Turntable cylinder unit	4
46	C26A610100	Cylinder support	1
47	C26A610002	Nylon bush	4
48	0306095	Rilsan hose 6X4 L=2520 black	1
49	C26A610001	U plate	4
50	0306097	Rilsan hose 8X5 L=250 black	1
51	0306171	Quick T union 8-6	2
52	0306123	Rilsan hose 6X4 L=1250 blue	1
53	0306025	Quick T union 6	4
54	0306097	Rilsan hose 8X5 L=250 black	1

TAV.5.4	SELF-CENTERING TURNTABLE GT	ED. 09/12
---------	-----------------------------	-----------

55	0306094	Rilsan hose 10X6.5 L=300 black	4
56	0306045	Quick union 8-1/8	2
57	0212009	Seeger D.50 - GB/T894.1	1
58	0209018	Screw M6X25 - GB/T77	2
59	0209043	Screw M4X6 - GB/T77	4
60	YC2-4298992B	Rotation union inner element	1
61	0309067	O-ring 90X1.8	1
62	0309065	O-ring 63X2.65	3
63	YC2-4298992A	Rotation union outer element	1
64	0306097	Rilsan hose 8X5 L=850 black	2
65	0306018	Rilsan hose 14X11 L=1000 red	2
66	YC1-3001468	Clamp cover	4



TAV.6.0

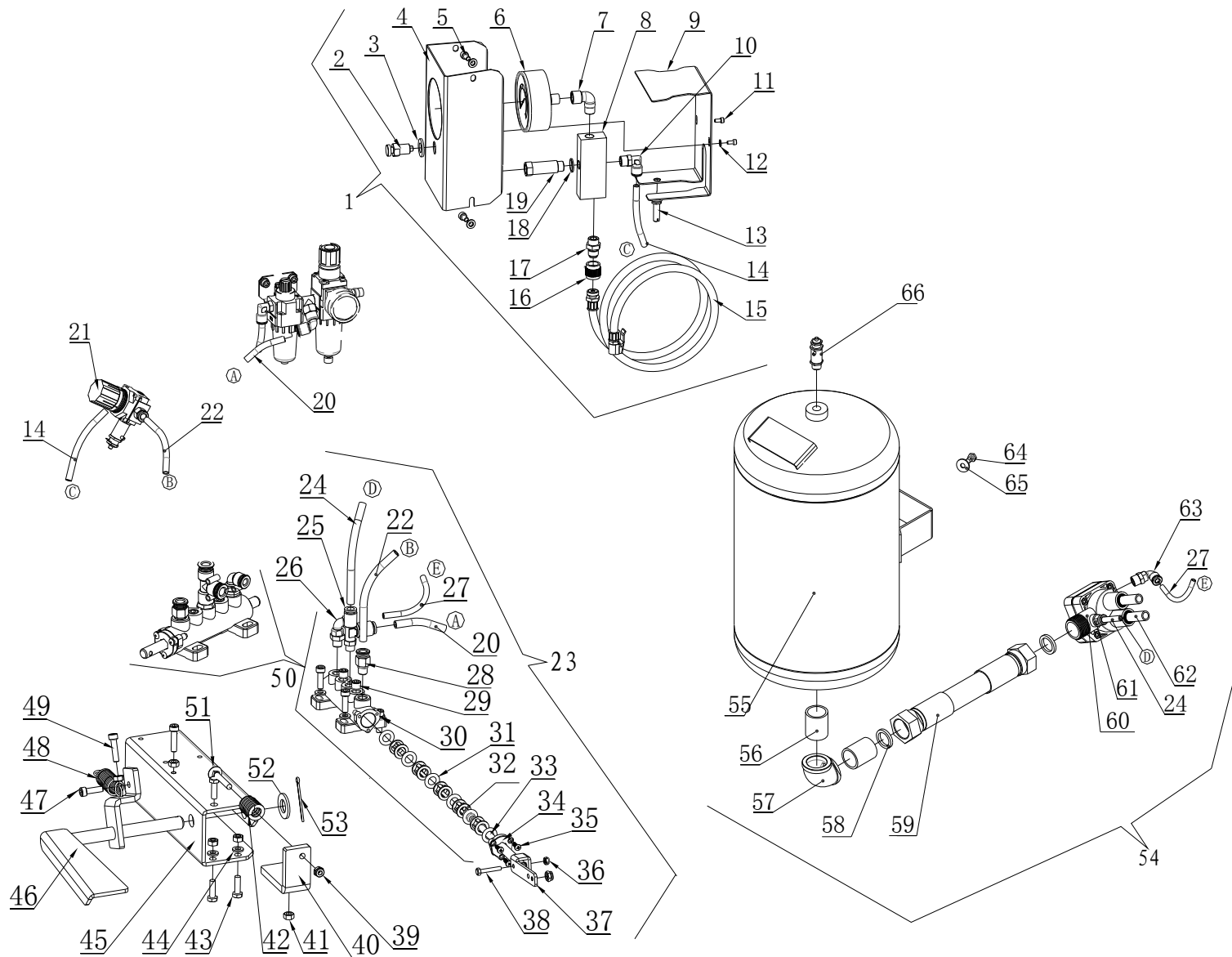
MOTOR – REDUCTION GEAR GROUP

ED. 09/12

ITEM	PART NUMBER	DESCRIPTION	QTY	REMARK
1	0201069	Screw M10X55 - GB/T5780	6	
2	0205011	Washer D.10 - GB/T97.1	8	
3	YC1-3010872	Top gear box	1	
4	0202049	Screw M8X30 - GB/T70.1	10	
5	0213011	Elastic pin 8X20- GB/T119.1	2	
6	0214006	Bearing 6212-2RS - GB/T276	1	
7	YC1-3199596	Gear box pulley	1	
8	0204013	Nut M14 - GB/T6172.1	1	
9	0511052	V belt A580	1	
10	0205017	Washer D.14 - GB/T97.1	1	
11	0606005	O-ring 34.5X3.55 - GB/T3452.1	1	
12	YC1-4296942	Seal	1	
13	0213028	Tab 6X18 - GB/T1096	1	
14	0209009	Screw M8X16 - GB/T80	1	
15	YC1-3000166	Motor pulley	1	
16	202W-ZYDJPJ	Tab 6X30 - GB/T1096	1	
17	0213027	Tab 16X70 - GB/T1096	1	
18	YC1-3010885	Helical gear stud	1	
19	YC1-3010883	Worm	1	
20	0214007	Bearing 30204 - GB/T297	2	
21	YC1-3010886	Seal cap	1	
22	0202030	Screw M6X10 - GB/T70.1	2	
23	0212010	Seeger D.60 - GB/T894.1	1	
24	YC1-3015537	Helical gear	1	
25	0214005	Bearing 6212 - GB/T276	1	
26	YC1-3010873	Bottom gear box	1	
27	0204004	Nut M8 - GB/T889.1	10	

TAV.6.0	MOTOR – REDUCTION GEAR GROUP		ED. 09/12
---------	------------------------------	--	-----------

28	0203009	Nut M10 - GB52	1
29	0201050	Screw M10X35 - GB/T5783	1
30	YC1-3000164	Spherical washer	1
31a	0509065	1PH motor 230V 0.75KW	1
31b	0509053	3PH motor 230V/400V 0.55KW	1
31c	0509050	3PH double speed motor 400V 0.8/1.1KW	1
31d	0509097	1PH motor 110V 1.1KW	1
32	0203029	Nut M8 - GB/T6170	4
33	0205008	Washer D.8 - GB/T97.1	4
34	0201062	Screw M10X20 - GB/T5783	2
35	YC1-3000149A	Motor support	1
36	0201038	Screw M8X25 - GB/T5783	4
37	YC1-2011967	Reduction gear unit	1



TAV.7.0	GT INFLATING DEVICE	ED. 09/12
---------	---------------------	-----------

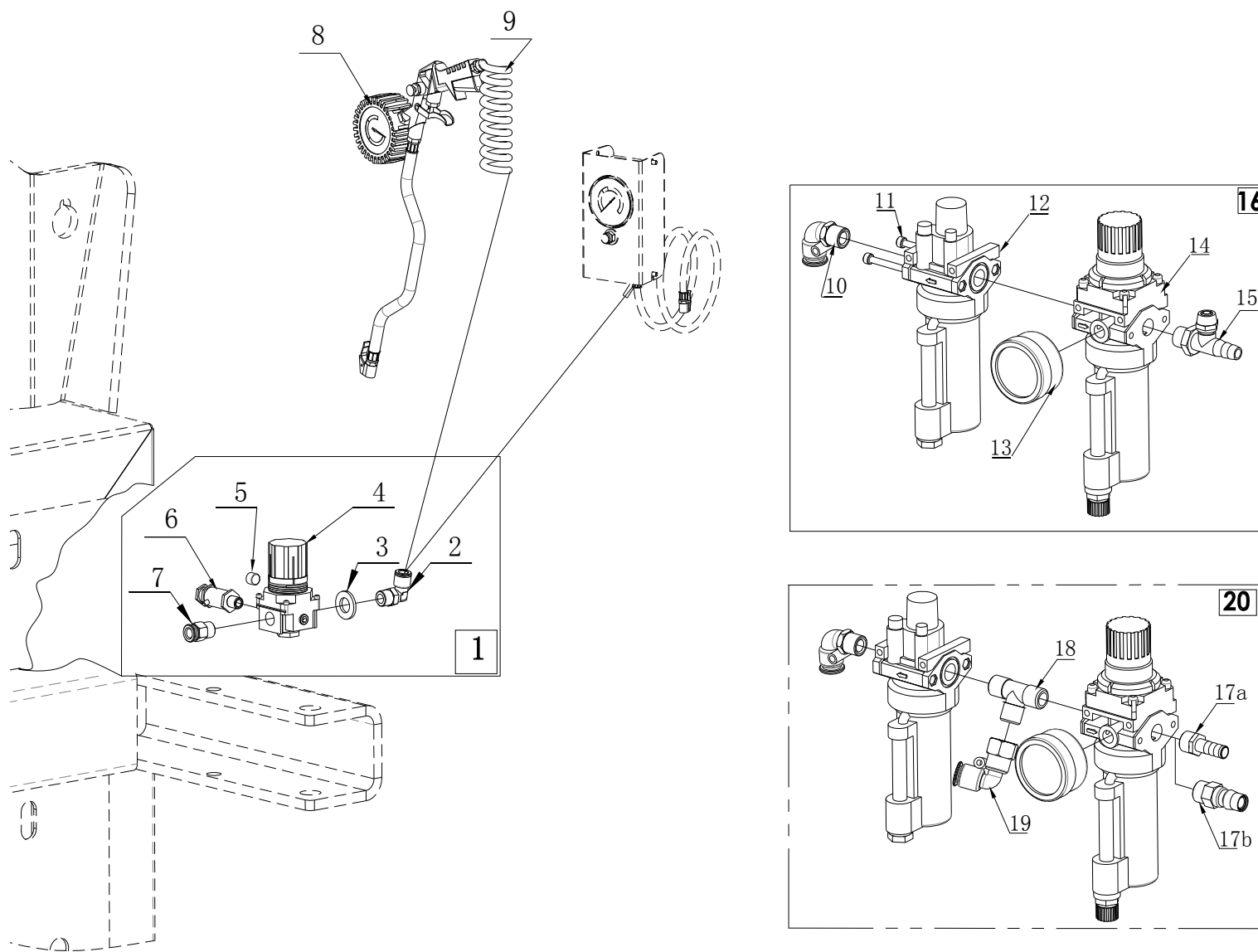
ITEM	PART NUMBER	DESCRIPTION	QTY	REMARK
1	YC2-2014217	GT pneumatic unit	1	
2	YC2-4299354	Relief valve	1	
3	0205013	Washer D.12 - GB/T97.1	1	
4	YC2-3015108	GT front plate	1	
5	0202030	Screw M6X10 - GB/T70.1	2	
6	0307025	Pressure gauge	1	
7	0306076	Union 1/4	1	
8	YC2-3015111	Gauge support	1	
9	YC2-3015109	GT back plate	1	
10	0306037	90° quick union 8-1/4	1	
11	0202008	Screw M4X8 - GB/T70.1	2	
12	0205002	Washer D.4 - GB/T97.1	2	
13	0511124	GT hose holder M8	1	
14	0306097	Rilsan hose 8X5 L=850	2	
15	0306110	GT control unit hose 1/4 L=1500	1	
16	0306017	Clasp nut 1/4	1	
17	0306156	Union 1/4	1	
18	0305040	Copper washer	1	
19	YC2-3015112	Union	1	
20	0306097	Rilsan hose 8X5 L=1000	1	
21	YC2-2010781-1	Safety valve unit 3.5bar	1	
22	0306097	Rilsan hose 8X5 L=400	1	
23	YC2-2010781-1	GT pedal unit	1	
24	0306097	Rilsan hose 8X5 L=500	1	
25	0306021	Quick T union 8-1/8	1	
26	0306036	90° quick union 6-1/8	1	
27	0306095	Rilsan hose 6X4 L=400	2	

TAV.7.0	GT INFLATING DEVICE	ED. 09/12
---------	---------------------	-----------

28	0306045	Quick union 8-1/8	1
29	0305014	Plug 1/8	2
30	YC1-3001583	Valve body	1
31	YC1-4299000	O-ring	6
32	YC1-3001584	Valve spacer	5
33	YC2-3001849	Valve pin 4	1
34	YC1-3001585	Valve flange	1
35	0207032	Self-taping screw ST3.5X13 - GB/T845	3
36	0204001	Self-locking nut M4 - GB/T889.1	1
37	YC2-3001853	Valve control lever	1
38	0201002	Screw M4X25 - GB/T5780	1
39	0204003	Self-locking nut M6 - GB/T889.1	2
40	YC2-3008005	Limit stop screw support	1
41	0203004	Nut M6 - GB52	6
42	YC2-4298942	Spring	1
43	0201014	Screw M6X20 - GB/T5783	4
44	0205006	Washer D.6 - GB/T97.1	11
45	YC2-3010287	Valve unit support	1
46	YC2-2410288	GT pedal	1
47	0202033	Screw M6X20 - GB/T70.1	5
48	YC2-3000141	Spring	1
49	0202034	Screw M6X25 - GB/T70.1	2
50	YC2-2009718	GT valve unit	1
51	YC2-4398890	Spring bolt	1
52	0205017	Washer D.14 - GB/T97.1	1
53	0213018	Split pin 2.5X40 - GB/T91	1
54	C24E7100000	GT air tank unit	1

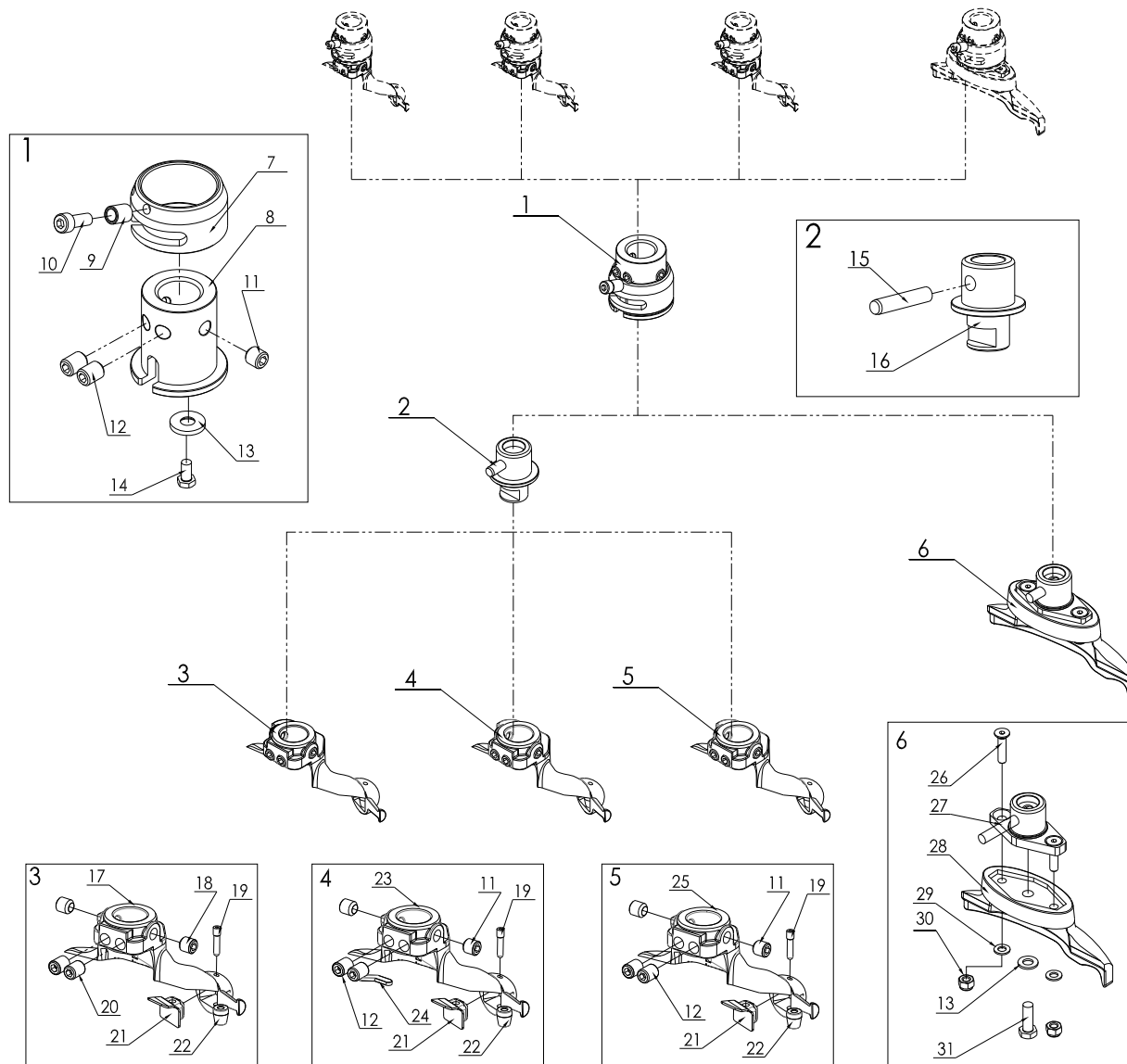
TAV.7.0	GT INFLATING DEVICE	ED. 09/12
---------	---------------------	-----------

55a	YC2-2402899	Air tank	1
55b	YC2-2402899A	Air tank CE	1
56	YC2-3005043	Union	2
57	0511076	Elbow union 1"	1
58	C04A301013	Rubber washer	3
59	0306055	Hose	1
60	YC2-4198531	GT pneumatic valve	1
61	0306144	Quick union 8-1/4	1
62	0306018	Rilsan hose 14X10 L=1000	
63	0306138	90° quick union 6-1/8	1
64	0201011	Screw M6X12 - GB/T5783	2
65	0205007	Washer D.6 - GB/T96	2
66	0306004	Safety valve 1/4 10bar	1



TAV.8.2	INFLATOR + LUBRICATION GROUP	ED. 09/12
---------	------------------------------	-----------

ITEM	PART NUMBER	DESCRIPTION	QTY	REMARK
1	YC2-2010781-1	Safety valve unit 3.5bar	1	
2	0306037	90° quick union 8-1/4	1	
3	0205013	Washer D.12 - GB/T97.1	1	
4	0307039	Pressure regulator 3.5bar	1	
5	0305014	Plug 1/8	1	
6	0306106	Pressure relief valve 1/8 5.5bar	1	
7	0306144	Quick union 8-1/4	1	
8	0306011	Inflator	1	
9	0306157	Rilsan spiral hose 8X5 L=2000	1	
10	0306032	90° quick union 8-1/4	1	
11	0202012	Screw M4X50 - GB/T70.1	2	
12	0307065	Lubricator NL-200	1	
13	0306052	Pressure gauge	1	
14	0307065	Filter regulator NFR-200	1	
15	0306007	T union 8-1/4	1	
16	YC2-2012326-1	Lubricator + filter regulator	1	
17a	0306008	Union 8-1/4	1	
17b	0306112	Quick union 1/4	1	
18	0306077	T union 1/4	1	
19	0306039	Quick union 8-1/4	1	
20a	YC2-3012326-2	Lubricator + filter regulator GT	1	
20b	YC2-2012326-3	Lubricator + filter regulator GT	1	



TAV.9.1	QUICK CHANGE SYSTEM	ED. 09/12
---------	---------------------	-----------

ITEM	PART NUMBER	DESCRIPTION	QTY	REMARK
1	YCQ-2009511	Quick change union	1	
2	YCQ-2008999	Mounting head adaptor	1	
3	YC1-2002216	Motorcycle mounting tool unit	1	
4	YC1-2002215	Normal mounting tool unit	1	
5	C00A700003	Special mounting tool unit	1	
6	YCQ-2007801	Plastic mounting tool unit	1	
7	YCQ-3009000-F	Quick release nut	1	
8	YCQ-3208998-C	Union shaft	1	
9	YCQ-3009083	Pin	1	
10	0202045	Screw M8X20 - GB/T70.1	1	
11	0209020	Screw M12X12 - GB/T80	2	
12	0209015	Screw M12X16 - GB/T80	2	
13	0205011	Washer D.10 - GB/T97.1	1	
14	0201062	Screw M10X20 - GB/T5783	1	
15	0213013	Pin 10X50 - GB/T119.1	1	
16	YCQ-3008999	Adaptor shaft	1	
17	YC1-3007801-A	Motorcycle mounting tool	1	
18	0209044	Screw M10X12 – GB/T80	2	
19	YC1-3009018	Special screw	1	
20	0209011	Screw M10X16 – GB/T80	2	
21	YC1-3006689	Plastic insert	1	
22	YC1-3000215	Peak roll	1	
23	YC1-3007801	Normal mounting tool	1	
24	YC1-3013650	Rim protection	1	
25	C26A303001	Special mounting tool	1	
26	0207029	Screw M8X35 - GB/T70.3	2	
27	YCQ-2409001-A	Plastic mounting tool adaptor	1	

TAV.9.1

QUICK CHANGE SYSTEM

ED. 09/12

28	YCQ-3007801	Plastic mounting tool	1
29	0205008	Washer D.8 - GB/T97.1	2
30	0204004	Nut M8 - GB/T889.1	2
31	0201049	Screw M10X30 - GB/T5783	1