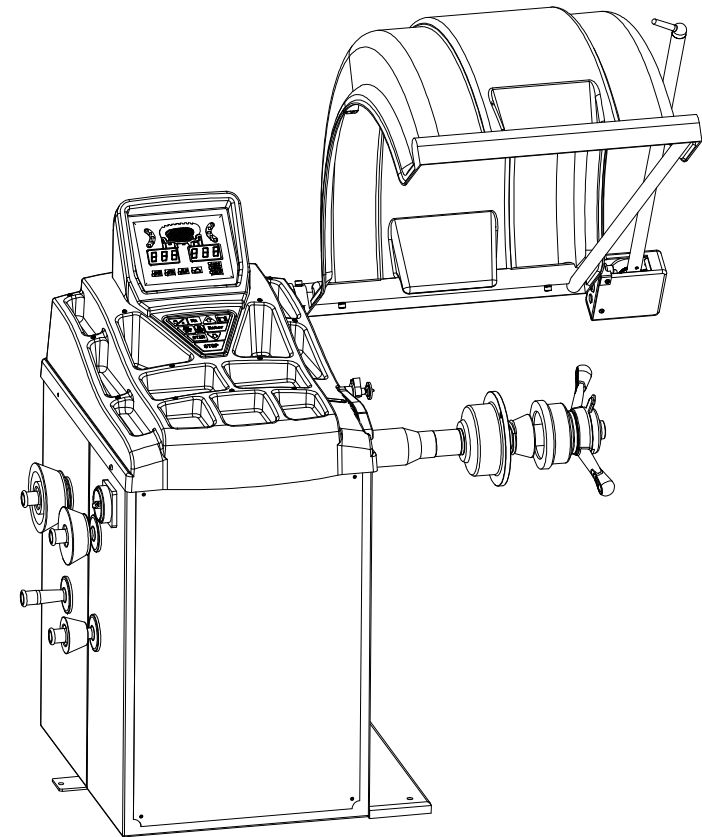
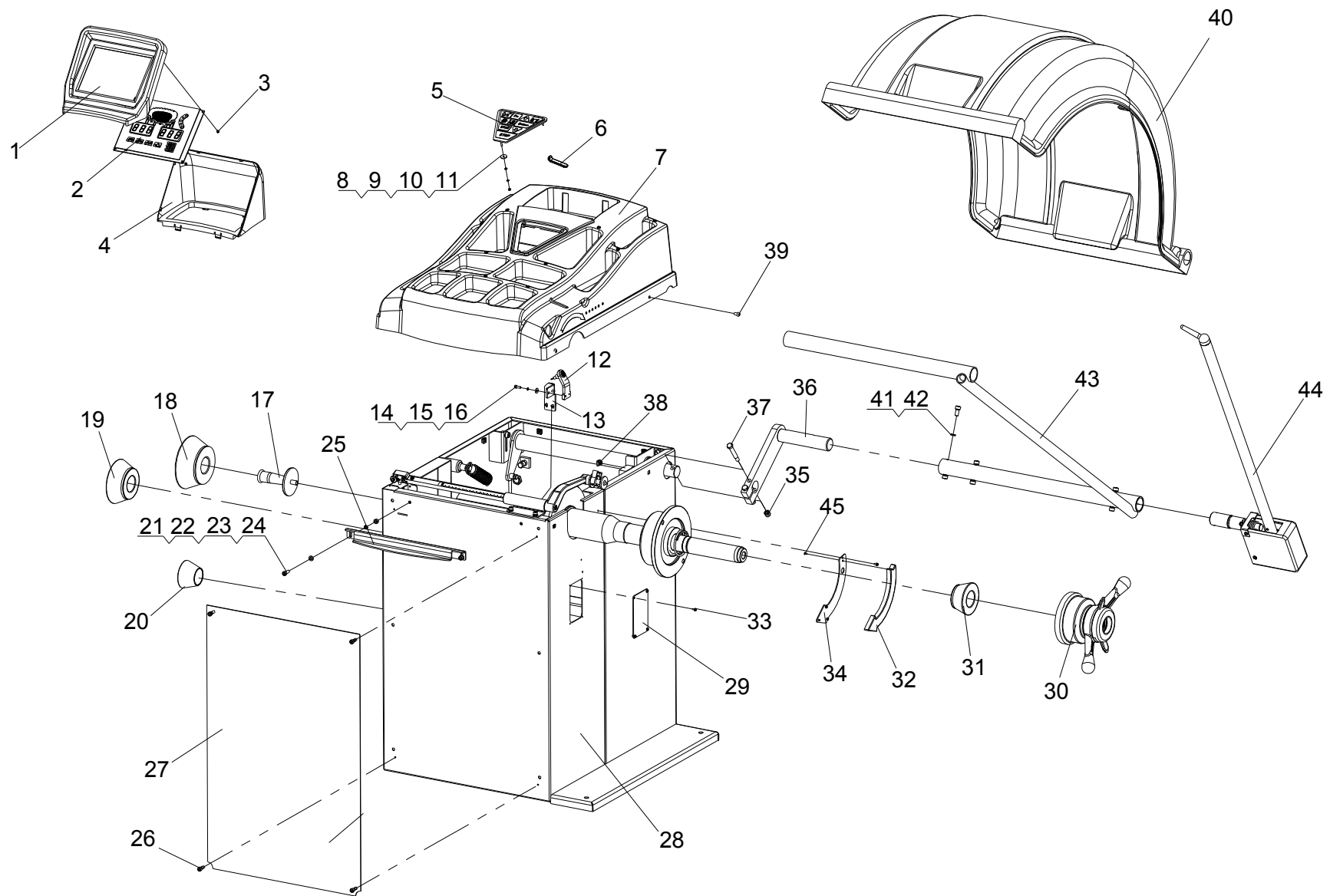


ED. 06/2017

PART CATALOGUE
STD-402P
WHEEL BALANCER



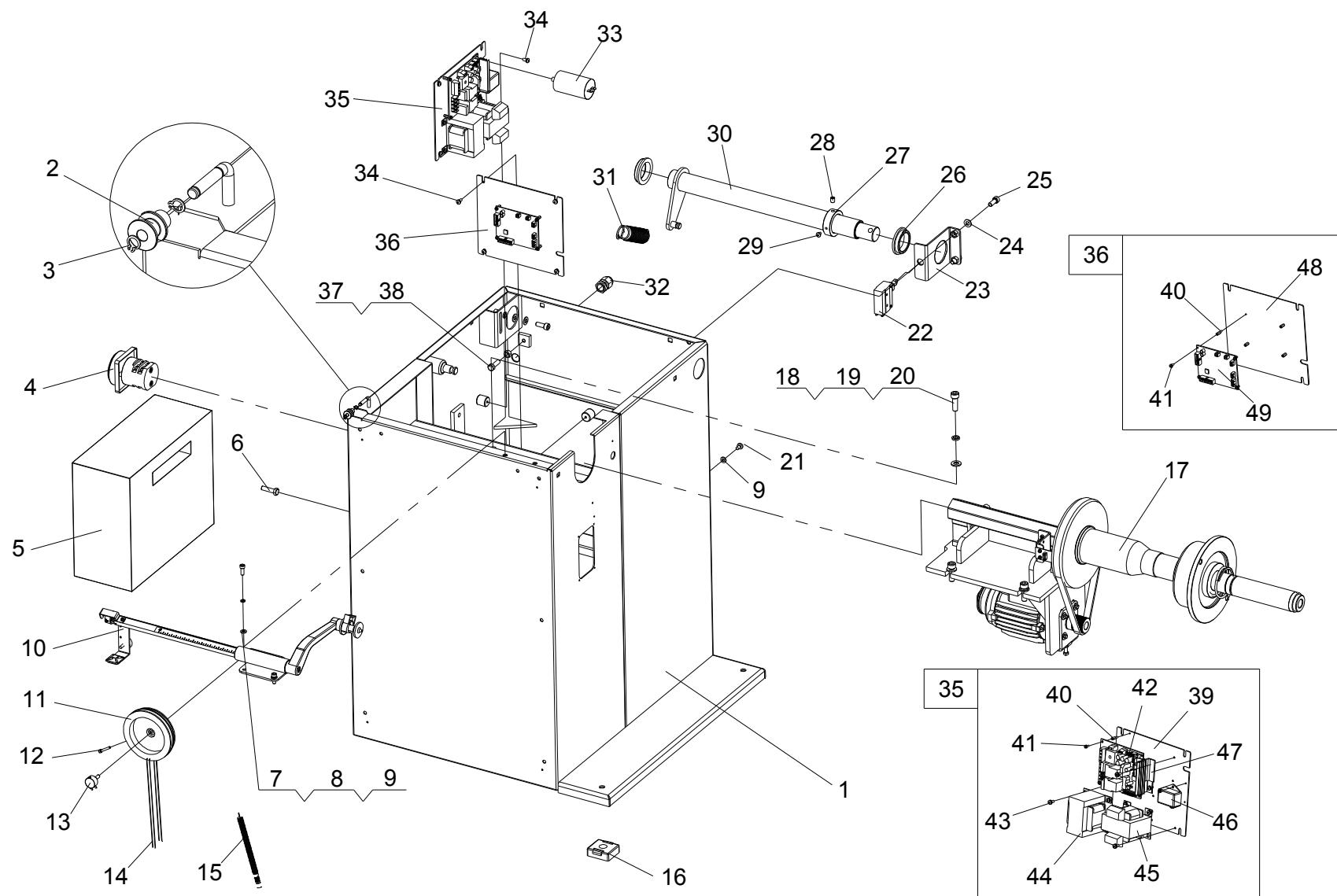


TAV.0	GENERAL BREAKDOWN	ED. 06/17
-------	-------------------	-----------

ITEM	PART NUMBER	DESCRIPTION	QTY	REMARK
1	P4-00003	Plastic frame	1	
2	0507065	LCD monitor	1	
3	0207034	Self-tapping screw ST3X8	4	
4	P4-00004	Monitor back cover	1	
5	0507064	Keypad assembly	1	
6	P4-00009P	Laser cover	1	
7	P4-00001	Weight tray	1	
8	0215076	Plastic washer D.3	3	
9	0205001	Washer D.3 - GB/T97.1	3	
10	0208001	Locking washer D.3 - GB/T93	3	
11	0203001	Nut M3 - GB/T52	3	
12	P4-81000P	Laser lamp assembly	1	
13	P4-00012P	Support	1	
14	0205003	Washer D.4 - GB/T96	4	
15	0208002	Locking washer D.4 - GB/T93	4	
16	0202004	Screw M4X12 - GB/T70.1	4	
17	P1-22001	Cone holder	4	
18	P1-12004W	Cone 85-132	1	
19	P1-12003W	Cone 78-111	1	
20	P1-12001W	Cone 44-70	1	
21	0203004	Nut M6	2	
22	0208005	Spring washer D.6	2	
23	0202032	Screw M6X16	2	
24	0205006	Washer D.6	2	
25	P4-11002AUS	Plate	1	
26	0207055	Self-tapping screw ST4X20	4	
27	P4-00011P	Front cover	1	

TAV.0	GENERAL BREAKDOWN		ED. 06/17
-------	-------------------	--	-----------

28	P4-30000P	Casing	1
29	P4-00008P	Side cover	1
30	P1-50000	Quick nut kit TR40X3	1
31	P1-12002W	Cone 59-82	1
32	P28B820000	LED light	1
33	0206054	Screw M3X8	7
34	P4-00010P	Base	1
35	0204004	Nut M8	2
36	P4-62000	Wheel guard arm	1
37	0201127	Screw M8X60 - GB/T27	2
38	0204047	Captive nut M6	6
39	0206050	Screw M6X10 - GB/T70.2	6
40	P4-00005	Wheel guard	1
41	0202040	Screw M8X16 - GB/T70.1	6
42	0208006	Locking Washer D.8 - GB/T93	6
43	P4-65000	Wheel guard frame	1
44	P4-61000	Width gauge assembly	1
45	0207004	Screw M3X8 - GB/T819.1	2

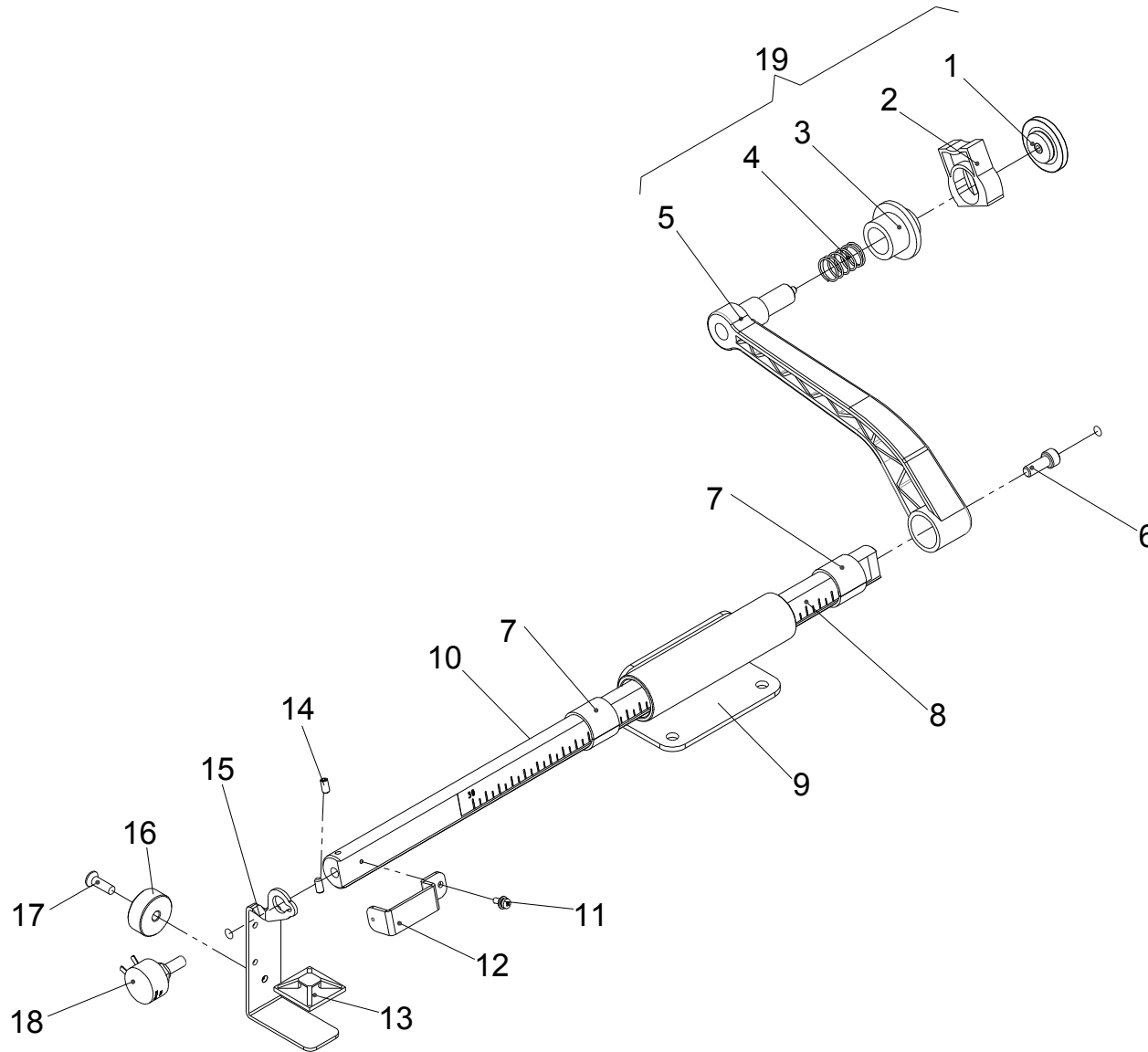


TAV.1.0	BODY	ED. 06/17
---------	------	-----------

ITEM	PART NUMBER	DESCRIPTION	QTY	REMARK
1	P4-31100	Casing	1	
2	P1-21001	Roller	1	
3	0212012	Seeger D.6	2	
4	0505006	Power switch 20A	1	
5	P1-23102	Weights	1	
6	0201031	Screw M8X30 - GB/T5783	2	
7	0202032	Screw M6X16 - GB/T70.1	2	
8	0208005	Spring washer D.6	2	
9	0205006	Washer D.6	3	
10	P1-41000	Automatic distance gauge assembly	1	
11	P1-21102	Wire Pulley	1	
12	0202005	Screw M4X25 - GB/T70.1	3	
13	0508002	Potentiometer 1W/10K	1	
14	0507091	Gauge wire D.7 L=1600	2	
15	P1-21103	Spring	1	
16	YC1-3002099	Plastic foot	2	
17	P4-11000P	Balancing shaft assembly	1	
18	0205011	Washer D.10	4	
19	0208007	Spring washer D.10	4	
20	0202062	Screw M10X30	4	
21	0206031	Screw M6X10	1	
22	0505017	Limit switch	1	
23	P1-31220	Switch support	1	
24	0205008	Washer D.8	4	
25	0202045	Screw M8X20	3	
26	P1-31231	Bush	2	
27	P1-31205	Positioning bush	1	

TAV.1.0	BODY	ED. 06/17
---------	------	-----------

28	0209046	Screw M8X10	2
29	0206014	Screw M5X6 - GB/T818	1
30	P4-64000	Wheel guard shaft	1
31	P1-31232	Wheel guard spring	1
32	0508252	Cable relief	1
33	0508268	Capacitor 50Hz 20VF/450V	1
34	0206058	Screw M5X10	8
35	P4-51000P	Power board assembly	1
36	P4-520000P	CPU board assembly	1
37	0203008	Nut M8	2
38	0201038	Screw M8X25	1
39	P4-51001P	Power board support	1
40	0204053	Isolation pin	6
41	0206054	Screw M3X8 - GB/T9074.4	8
42	0507399	Power supply board	1
43	0206060	Screw M4X10	10
44	TDB-40B	Braking transformer	1
45	TDB-30B	Power transformer	1
46	0505068	Power filter	1
47	P1-31182	Cooling bracket	1
48	P1-31181	Power board support	1
49	0507398	CPU board	1

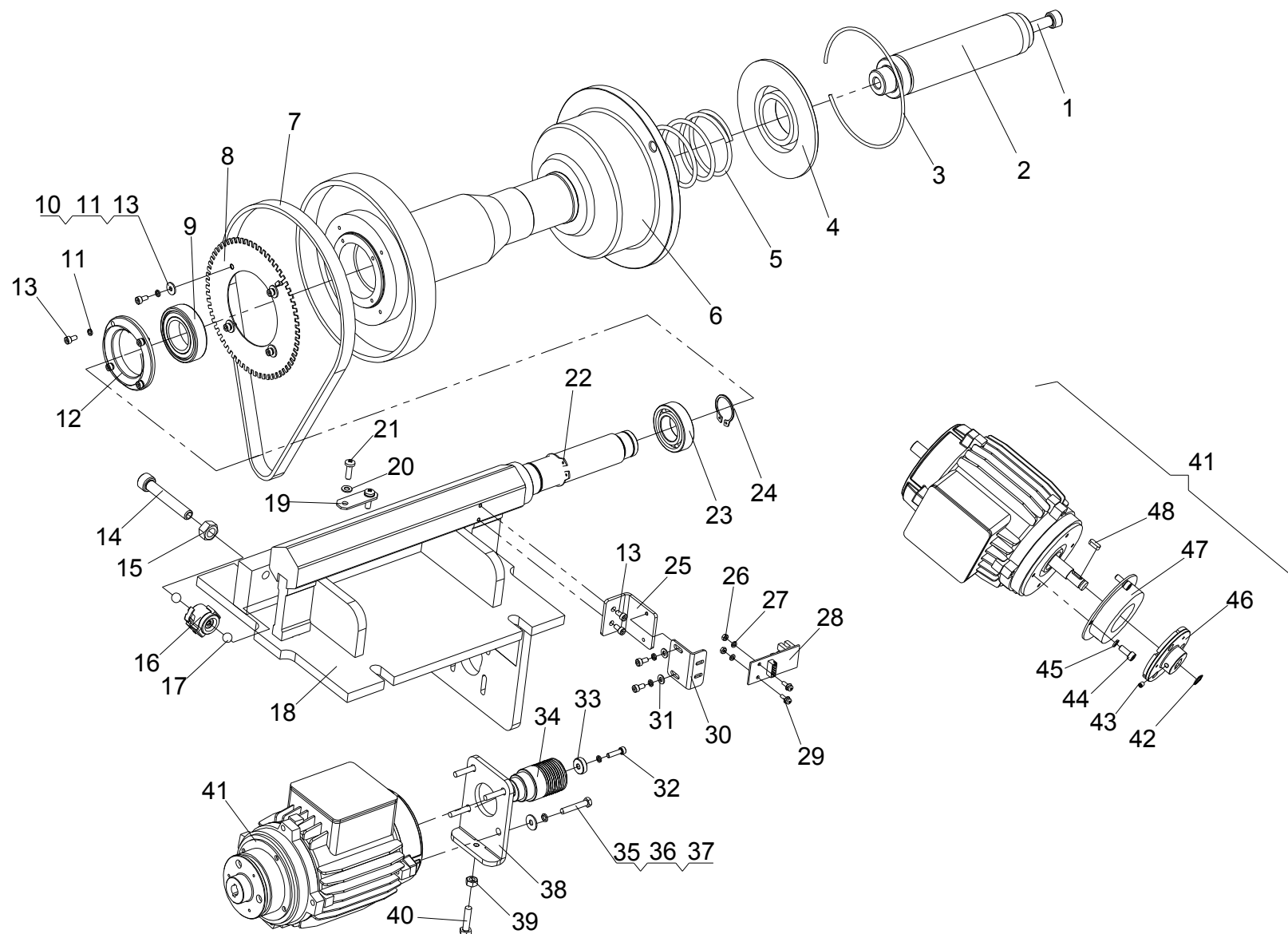


TAV.2.0

AUTOMATIC DISTANCE GAUGE ASSEMBLY

ED. 06/17

ITEM	PART NUMBER	DESCRIPTION	QTY	REMARK
1	P1-41220	Index tip	1	
2	P1-41205	Weight pusher	1	
3	P1-41204	Pincher	1	
4	P1-21101	Spring	1	
5	P1-41206	Index arm	1	
6	0202032	Screw M6X16	1	
7	0210002	Self-lubricated bush 2020	2	
8	P1-41109	Scale decal	1	
9	P1-41300	Gauge support	1	
10	P1-41101	Gauge rod	1	
11	0206054	Screw M3X8 - GB/T9074.4	1	
12	P1-41104	Potentiometer support	1	
13	0511059	Disc 30X30	1	
14	0209017	Screw M4X8 – GB/T80	2	
15	P1-41105	Potentiometer limiter	1	
16	P1-41108	Counterweight	1	
17	0207006	Screw M5X16 – GB/T819.1	1	
18	0508002	Potentiometer 1W/10K	1	
19	P1-41200A	Gauge index assembly	1	

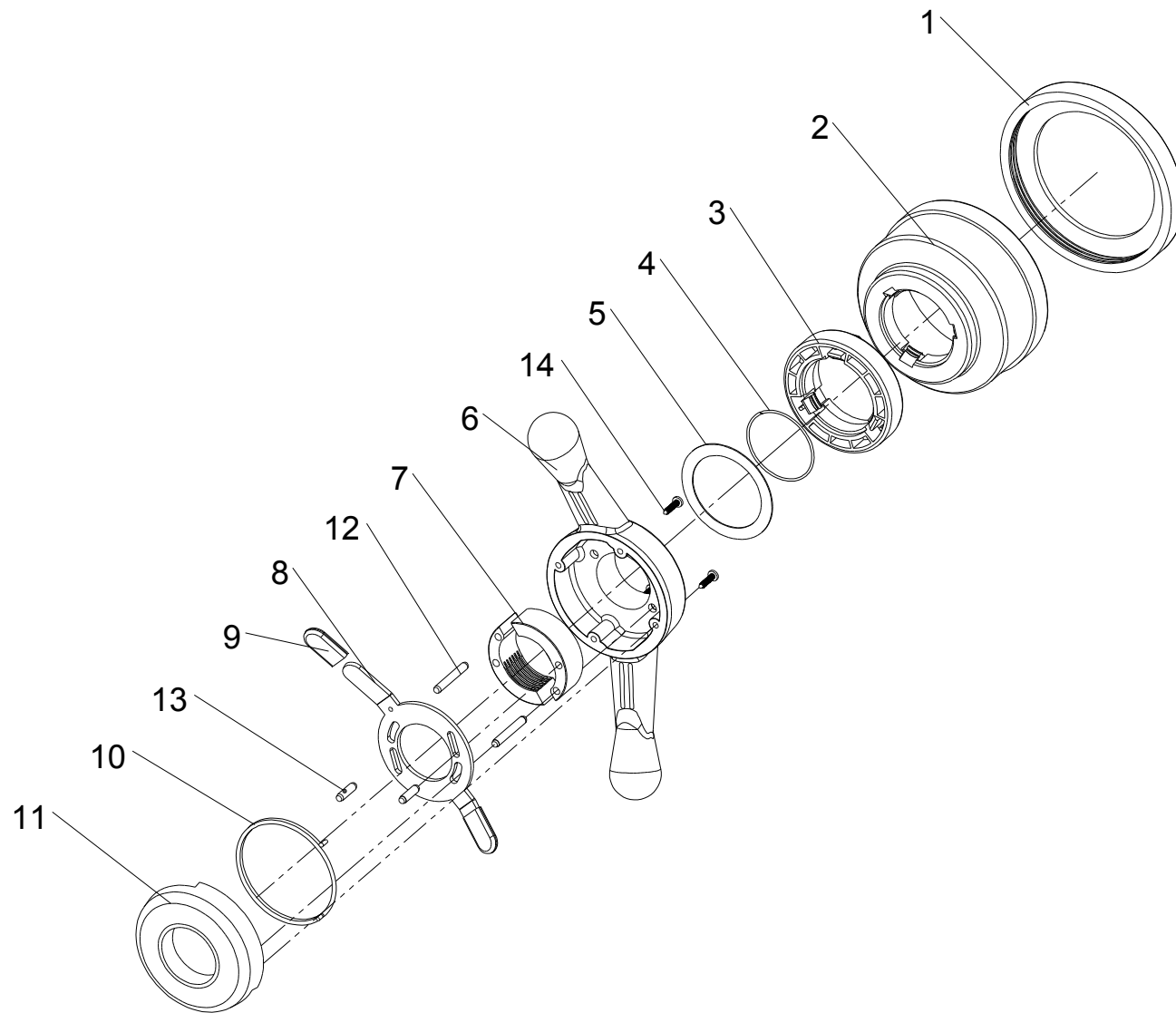


TAV.3.0	BALANCING SHAFT ASSEMBLY	ED. 06/17
---------	--------------------------	-----------

ITEM	PART NUMBER	DESCRIPTION	QTY	REMARK
1	0202064	Screw M10X160 - GB/T70.1	1	
2	P1-10021	Thread end piece	1	
3	P1-11012	Seeger ring	1	
4	P1-11011	Cover	1	
5	P1-11010	Captured spring	1	
6	P1-10010	Balancing wheel	1	
7	0511159	Drive belt 6-J290	1	
8	P1-11002	Phase disk	1	
9	0214002	Bearing 6006	1	
10	0205003	Washer D.4 - GB/T96	4	
11	0208002	Locking washer D.4 - GB/T93	11	
12	P1-11014	Bearing cover	1	
13	0202008	Screw M4X8 - GB/T70.1	12	
14	P1-11004	Special screw	2	
15	0203011	Nut M10 - GB/T6170	2	
16	P1-11300	Piezo sensor	2	
17	0215068	Steel ball D.9	4	
18	P1B-11100UL	Complete shaft	1	
19	P1-11013	Fastening plate	1	
20	0205004	Washer D.5 - GB/T97.1	2	
21	0206026	Screw M5X16 - GB/T818	2	
22	0212021	Seeger D.30 - GB/T894.1	1	
23	0214001	Bearing 6005	1	
24	0212004	Seeger D.25 - GB/T894.1	1	
25	P10A300001	Support	1	
26	0203001	Nut M3 - GB/T52	2	
27	0205001	Washer D.3 - GB/T97.1	2	

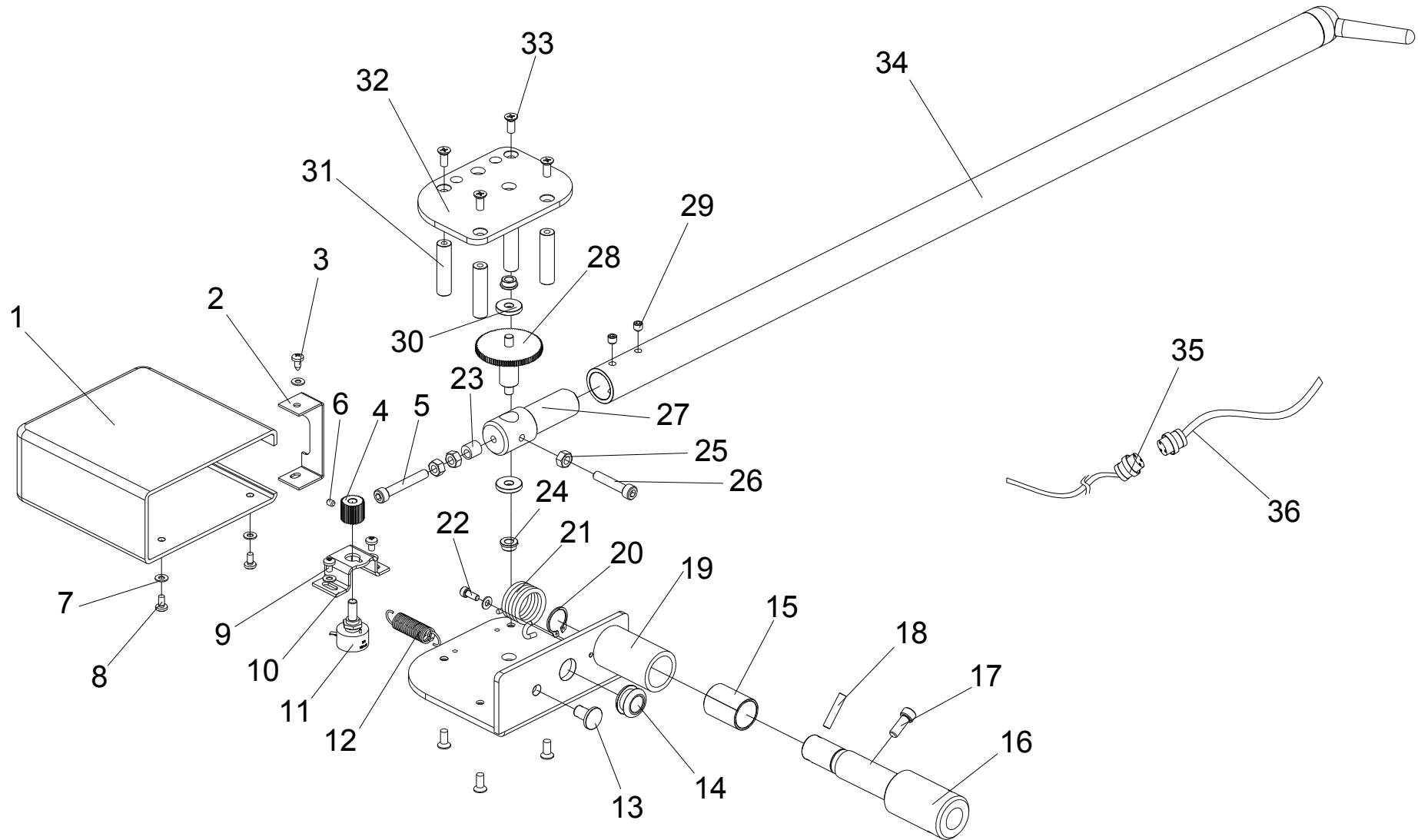
TAV.3.0	BALANCING SHAFT ASSEMBLY		ED. 06/17
---------	--------------------------	--	-----------

28	0507085	Phase encoder	1
29	0201136	Screw M3X10	2
30	P1-11005	Encoder support	1
31	0205002	Washer D.4 - GB/T97.1	2
32	0202011	Screw M4X16 - GB/T70.1	1
33	P1-11007Y	Washer	1
34	P4-11001P	Motor pulley	1
35	0201008	Screw M5X30	4
36	0208003	Locking washer D.5 - GB/T93	4
37	0205005	Washer D.5 - GB/T96	4
38	P1-11016UL	Plate	1
39	0203004	Nut M6 - GB/T52	1
40	0201015	Screw M6X25	1
41	0509188	Motor HB63D-6 230V/50HZ/1PH/0.09KW	1
42	0212013	Seeger D.10 - GB/T 894.1	1
43	0209053	Screw M4X5 - GB/T80	2
44	0202016	Screw M5X12 - GB/T70.1	4
45	0208003	Locking washer D.5 - GB/T93	4
46	0508388	Electromagnetic brake	1
47	0508389	Coil	1
48	0213146	Tab 4X12 - GB/T1096	1



TAV.4.0**QUICK NUT KIT****ED. 06/17**

ITEM	PART NUMBER	DESCRIPTION	QTY	REMARK
1	P1-50001	Rubber cap	1	
2	P1-50005	Clamping hood	1	
3	P1-50004	Quick nut	1	
4	P1-50008	Spring	1	
5	P1-50009	Washer	1	
6	P1-50002	Handle	1	
7	P1-50012	Clamp	1	
8	P1-50006	Clamping plate	1	
9	P1-50013	Plastic cover	2	
10	P1-50007	Returning spring	1	
11	P1-50003	Nut flange	1	
12	0213074	Elastic pin 5X35	2	
13	0213085	Pin 5X18 - GB/T119.2	2	
14	0207058	Self-tapping screw ST3.5X16	4	

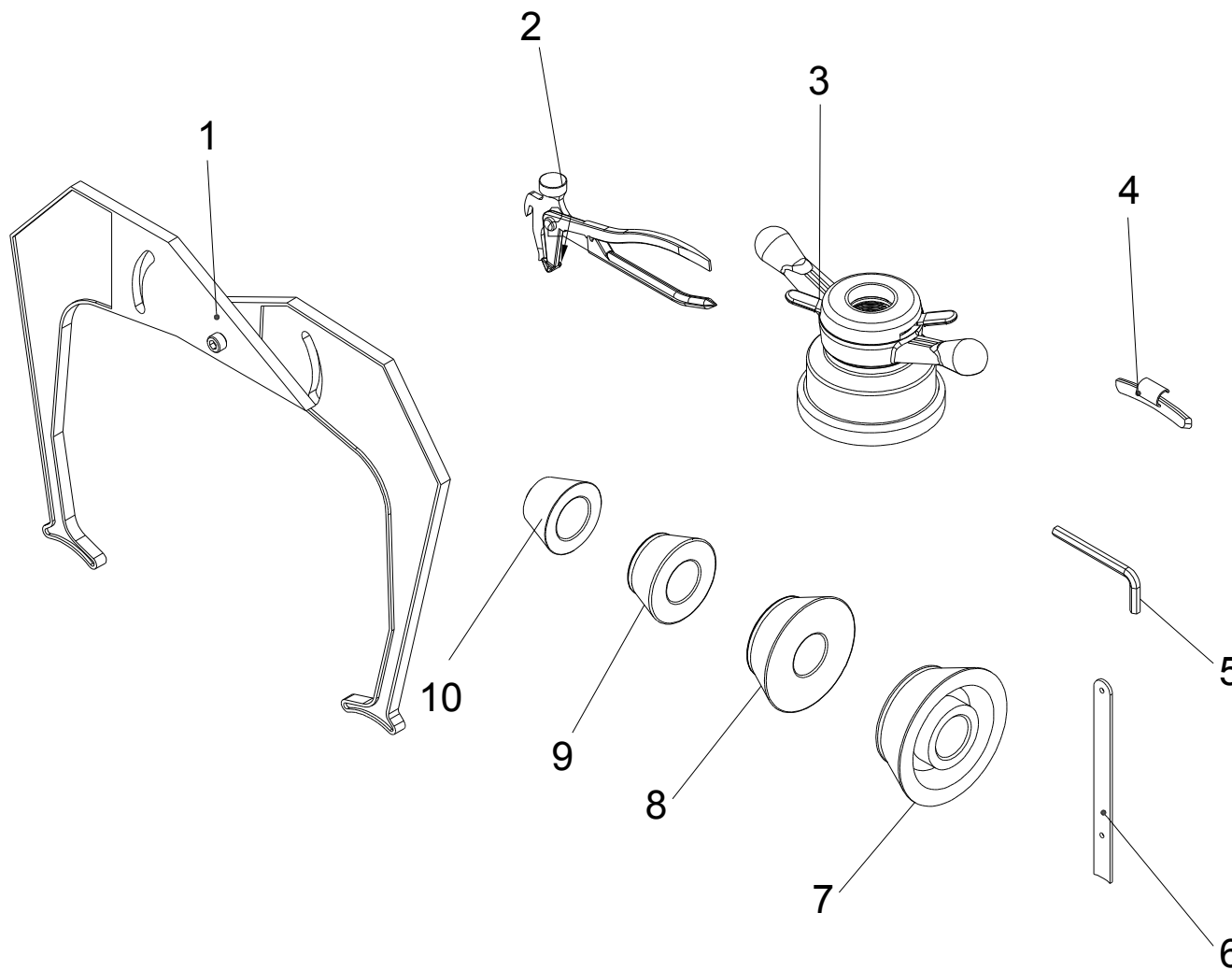


TAV.5.0	WIDTH GAUGE ASSEMBLY	ED. 06/17
---------	----------------------	-----------

ITEM	PART NUMBER	DESCRIPTION	QTY	REMARK
1	P4-61005	Protection cover	1	
2	P4-61001	L plate	1	
3	0207035	Self-tapping screw ST4.2X12	1	
4	P4-61011	Small gear	1	
5	0202035	Screw M6X40 - GB/T70.1	1	
6	0209053	Screw M4X5 - GB/T80	1	
7	0205002	Washer D.4 - GB/T97.1	6	
8	0206023	Screw M4X8 - GB/T818	2	
9	0206019	Screw M4X6 - GB/T818	2	
10	P4-61006	Support	1	
11	0508002	Potentiometer 1W/10K	1	
12	P4-61013	Spring	1	
13	P4-61007	Spring bolt	1	
14	0206024	Cable holder 16	1	
15	0210004	Self-lubricated bush 2030	1	
16	P4-61003	Pin	1	
17	0202032	Spring M6X16 - GB/T70.1	1	
18	0213004	Elastic pin 5X25	1	
19	P4-61300	Gauge base	1	
20	0212016	Seeger D.18	1	
21	P4-61002	Spring	1	
22	0202022	Screw M4X10 - GB/T70.1	1	
23	P4-61015	Eccentric bush	1	
24	P4-61008	Bush	2	
25	0203004	Nut M6 - GB/T52	3	
26	0202026	Screw M6X30 - GB/T70.1	1	
27	P4-61014	Pin	1	

TAV.5.0	WIDTH GAUGE ASSEMBLY		ED. 06/17
---------	----------------------	--	-----------

28	P4-61010	Gear	1
29	0209047	Screw M6X6 - GB/T80	4
30	P4-61009	Spacer	2
31	P4-61004	Spacer	4
32	P4-61012	Cover	1
33	0207009	Screw M5X12 - GB/T819	8
34	P4-61100	Index	1
35	P4-61000-1	Width gauge plug	1
36	P4-61000-2	Connector	1



TAV.6.0	STANDARD ACCESSORIES	ED. 06/17
---------	----------------------	-----------

ITEM	PART NUMBER	DESCRIPTION	QTY	REMARK
1	0604059	Wheel Measuring Caliper	1	
2	0511094	Plier	1	
3	P1-50000	Quick nut kit TR40X3	1	
4	0511098	Calibration weight 100g	1	
5	0511093	Allen wrench	1	
6	P4-40001	Ruler for distance gauge calibration	1	
7	P1-12004W	Cone 85-132	1	
8	P1-12003W	Cone 78-111	1	
9	P1-12002W	Cone 59-82	1	
10	P1-12001W	Cone 44-70	1	