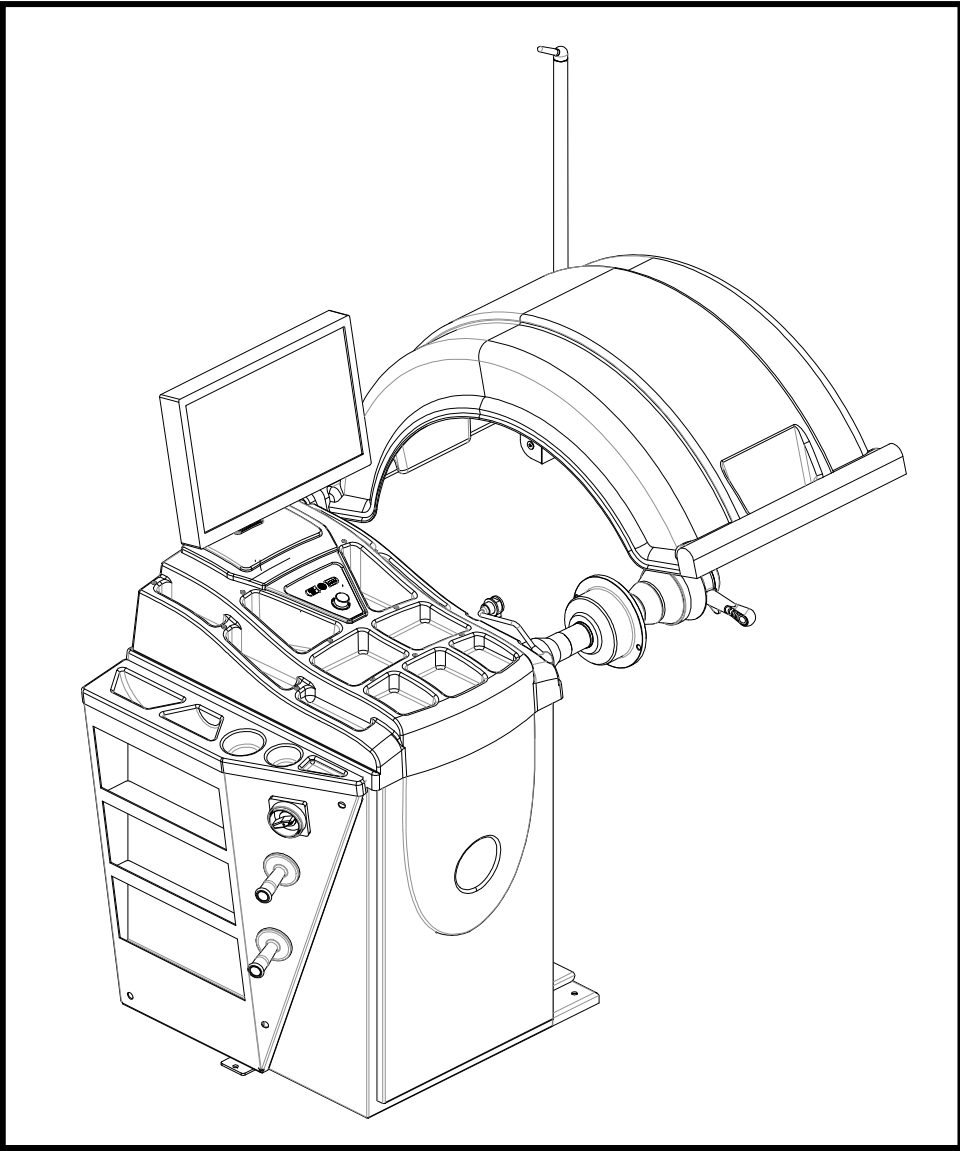
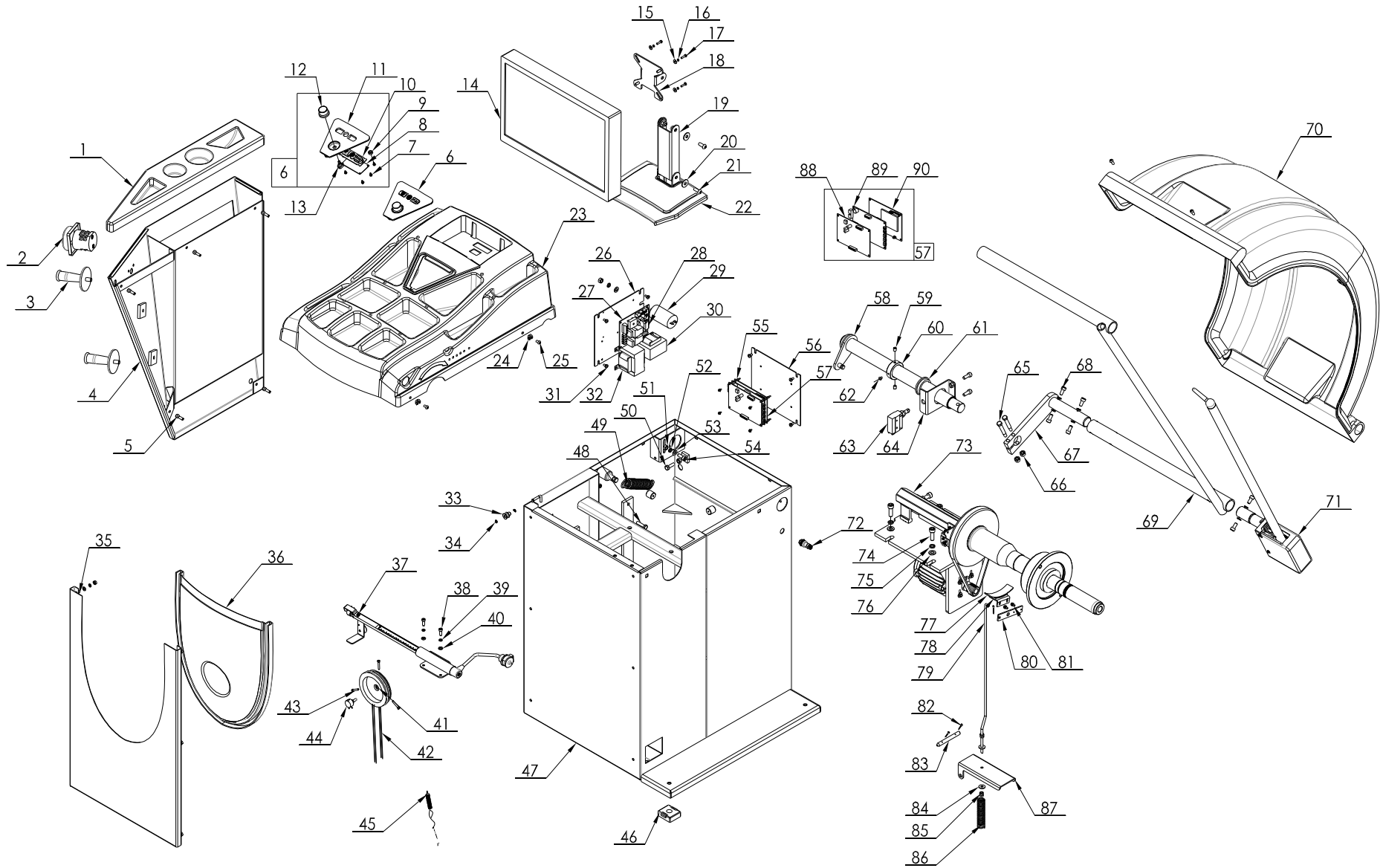




PART CATALOGUE
STD-423
WHEEL BALANCER





TAV.0	GENERAL BREAKDOWN	ED. 11/17
-------	-------------------	-----------

ITEM	PART NO.	DESCRIPTION	QTY	REMARK
1	P4-31001	Tool tray	1	
2	0505006	Power switch 20A	1	
3	P1-22001	Cone holder	2	
4	P4-31200	Side casing	1	
5	0202033	Screw M6X20 - GB/T70.1	5	
6	P4-01000	Keypad unit	1	
7	0206054	Screw M3X8 - GB/T9074.4	11	
8	0507173	Keypad	1	
9	P4-01005	Spacer	3	
10	P4-01001	Rubber key unit	1	
11	P4-01003	Key panel	1	
12	P4-01002	Knob 30X25X20	1	
13	0507174	Encoder	1	
14	0508309	LCD monitor 19"	1	
15	0205003	Washer D.4 - GB/T96	4	
16	0208002	Locking washer D.4 - GB/T93 4	4	
17	0206015	Screw M4X16	4	
18	P4A-00003	Monitor bracket	1	
19	P4A-00002	Bracket arm	1	
20	0205009	Washer D.8 - GB/T96	8	
21	0206064	Screw M8X20 - GB/T70.2	4	
22	P4-00002	Bracket base	1	
23	P4-00001	Weight tray	1	
24	0204047	Captive nut M6	6	
25	0206048	Screw M6X16 - GB/T70.2	6	
26	P1-31181	Power board support	1	
27	0507426	Power board	1	

TAV.0	GENERAL BREAKDOWN	ED. 11/17
-------	-------------------	-----------

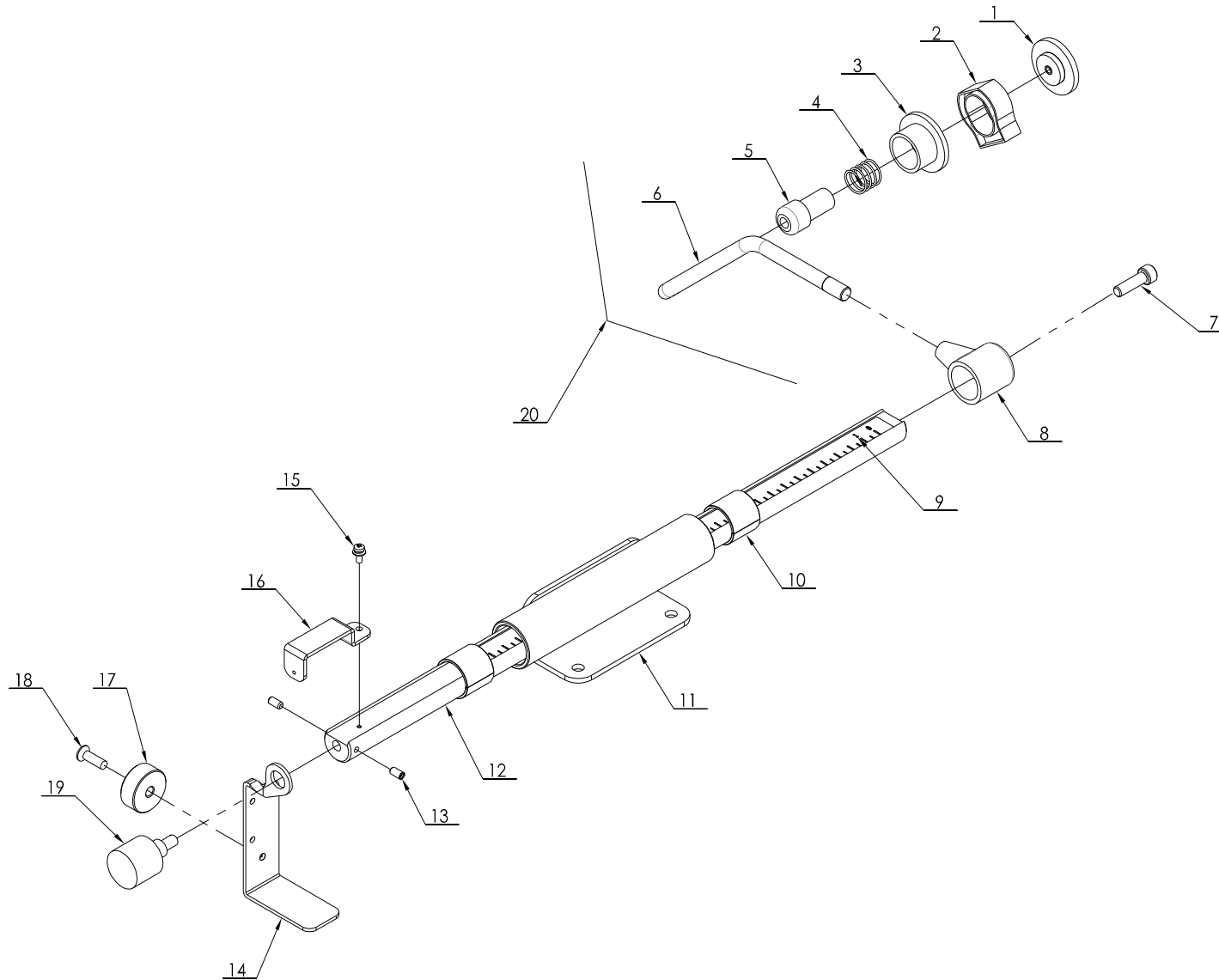
28	P1-31182	Cooling bracket	1
29a	0508268	Capacitor 50Hz 20VF/450V	1
29b	0508269	Capacitor 60Hz 35VF/300V	1
30a	0503046	Power transformer 220V/30VA	1
30b	0503062	Power transformer 230V/30VA	1
30c	0503064	Power transformer 110V/30VA	1
31	0201017	Screw M5X10 - GB/T9074.4	12
32a	0503034	Braking transformer 220V/40VA	1
32b	0503061	Braking transformer 230V/40VA	1
32c	0503063	Braking transformer 110V/40VA	1
33	P1-21001	Roller	1
34	0212012	Seeger D.6	2
35	P4-11000	Metal front I	1
36	P4-00007	Plastic front	1
37	P1-41000	Automatic distance gauge assembly	1
38	0202032	Screw M6X16 - GB/T70.1	3
39	0208005	Locking washer D.6 - GB/T93	9
40	0205006	Washer D.6 - GB/T97.1	9
41	P1-21102	Wire pulley	1
42	0507091	Wire L1600	2
43	0202005	Screw M4X25 - GB/T70.1	3
44	0508002	Potentiometer 1W/10K	1
45	P1-21103	Return spring	1
46	YC1-3002099	Plastic foot	2
47	P4-31100	Casing	1
48	0201030	Screw M8X30 - GB/T5781	2
49	P1-31232	Wheel guard spring	1

TAV.0	GENERAL BREAKDOWN	ED. 11/17
-------	-------------------	-----------

50	0201038	Screw M8X25 - GB/T5783	1
51	0203008	Nut M8 - GB52	2
52	0208006	Locking washer D.8 - GB/T93	11
53	0205008	Washer D.8 - GB97.1	4
54	0202045	Screw M8X20 - GB/T70.1	3
55	0201149	Isolation pin	4
56	P4A-00001	Board support	1
57	0507425	VGA/CPU board unit	1
58	P4-64000	Wheel guard shaft	1
59	0209046	Screw M8X10 - GB/T80	2
60	P1-31205	Positioning bush	1
61	P1-31231	Bush	2
62	0206014	Screw M5X6 - GB/T818	1
63	0505017	Limit switch 7311	1
64	P1-31220	Switch support	1
65	0201127	Screw M8X60 - GB/T27	2
66	0204004	Self-locking nut M8 - GB/T889.1	6
67	P4-62000	Wheel guard arm	1
68	0202040	Screw M8X16 - GB/T70.1	6
69	P4-65000	Wheel guard frame	1
70	P4-00005	Wheel guard	1
71	P4-61000	Width gauge assembly	1
72	0508279	Cable connector	1
73	P1B-11000UL	Balancing shaft assembly	1
74	0202062	Screw M10X30 - GB/T70.1	4
75	0208007	Locking washer D.10 - GB/T93	4
76	0205011	Washer D.10 - GB/T97.1	4

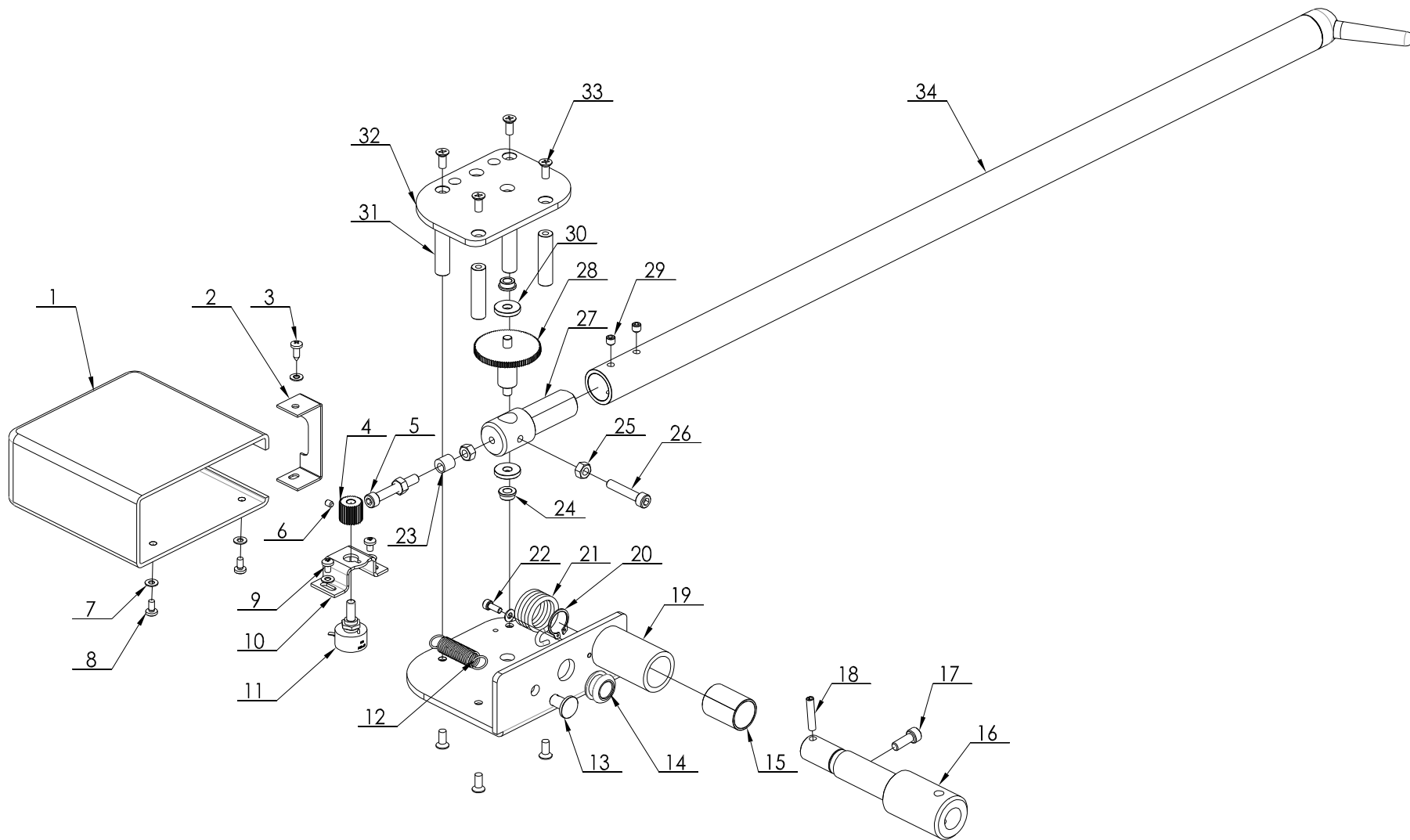
TAV.0	GENERAL BREAKDOWN	ED. 11/17
-------	-------------------	-----------

77	P1-31305	Braking cloth	1
78	P1-31304	Brake	1
79	P1-31307	Connecting rod	1
80	P1-31303	Braking lever	1
81	0201137	Screw M4X10 - GB/T9074.4	2
82	0213044	Split pin 2X20 - GB/T91	4
83	P1-31301	Pin	1
84	0205007	Washer D.6 - GB/T96	2
85	0203004	Nut M6 - GB/T52	15
86	P1-31306	Pedal spring	1
87	P1-31302	Brake pedal	1
88	0507425-3	VGA adaptor	1
89	0507425-2	CPU board	1
90	0507425-1	VGA board	1



TAV.37.0	AUTOMATIC DISTANCE GAUGE ASSEMBLY	ED. 11/17
----------	-----------------------------------	-----------

ITEM	PART NO.	DESCRIPTION	QTY	REMARK
1	P1-41220	Index tip	1	
2	P1-41205	Weight pusher	1	
3	P1-41204	Pincher	1	
4	P1-21101	Spring	1	
5	P1-41203	Revolving piece	1	
6	P1-41202	Index arm	1	
7	0202033	Screw M6X20 - GB/T70.1	1	
8	P1-41201	Arm support	1	
9	P1-41109	Scale decal	1	
10	0210002	Self-lubricated bush 2020	2	
11	P1-41300	Gauge support	1	
12	P1-41101	Gauge rod	1	
13	0209017	Screw M4X8 – GB/T80	2	
14	P1-41105	Potentiometer limiter	1	
15	0201135	Screw M3X8 – GB/T9074.4	1	
16	P1-41104	Potentiometer support	1	
17	P1-41108	Counterweight	1	
18	0207006	Screw M5X16 – GB/T819.1	1	
19	0508002	Potentiometer 1W/10K	1	
20	P1-41200	Index unit	1	

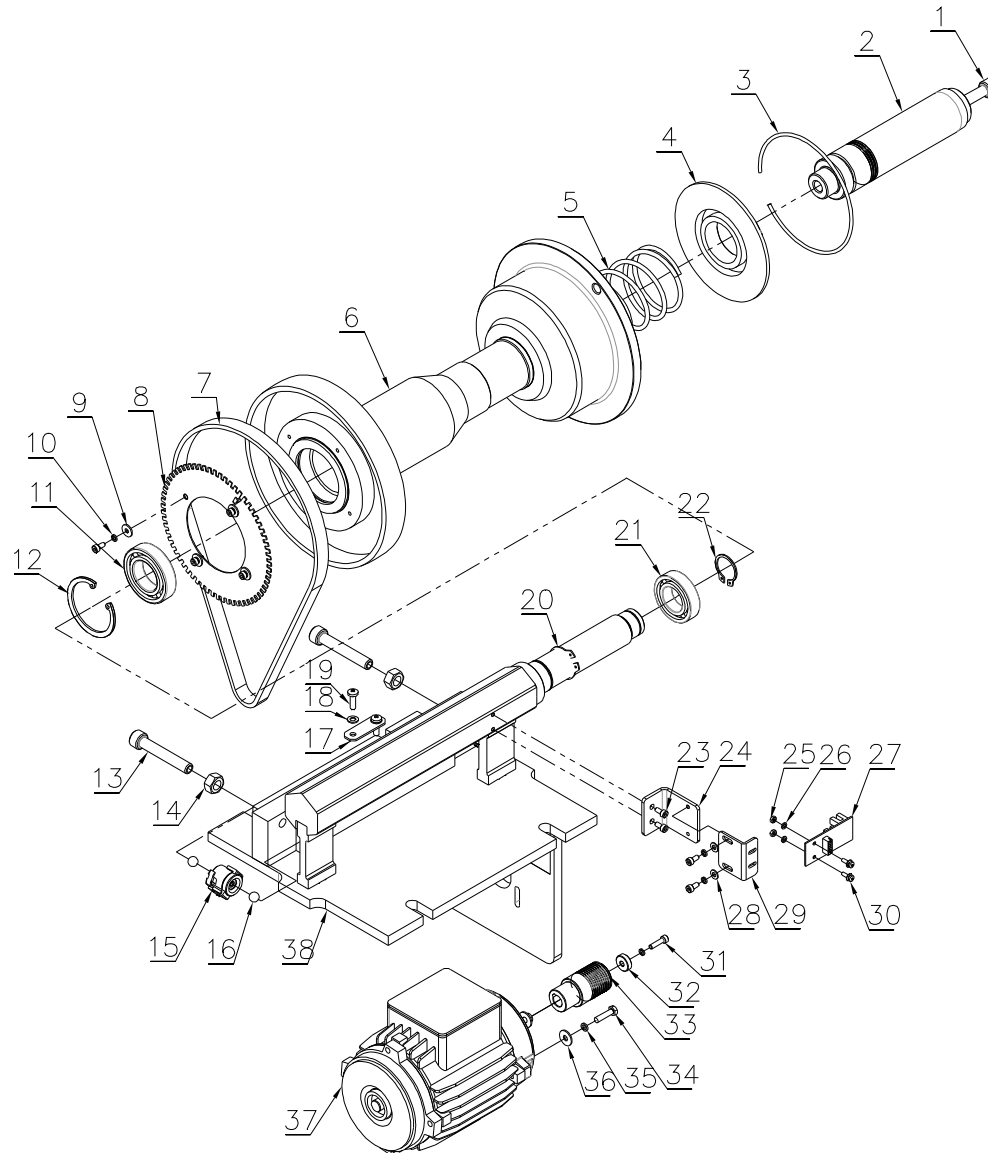


TAV.71.0	WIDTH GAUGE ASSEMBLY	ED. 11/17
----------	----------------------	-----------

ITEM	PART NO.	DESCRIPTION	QTY	REMARK
1	P4-61005	Protection cover	1	
2	P4-61001	L plate	1	
3	0207035	Self-tapping screw ST4.2X12	1	
4	P4-61011	Small gear	1	
5	0202035	Screw M6X40 - GB/T70.1	1	
6	0209053	Screw M4X5 - GB/T80	1	
7	0205002	Washer D.4 - GB/T97.1	6	
8	0206023	Screw M4X8 - GB/T818	2	
9	0206019	Screw M4X6 - GB/T818	2	
10	P4-61006	Support	1	
11	0508002	Potentiometer 1W/10K	1	
12	P4-61013	Spring	1	
13	P4-61007	Spring bolt	1	
14	0206024	Cable holder 16	1	
15	0210004	Self-lubricated bush 2030	1	
16	P4-61003	Pin	1	
17	0202032	Spring M6X16 - GB/T70.1	1	
18	0213004	Elastic pin 5X25	1	
19	P4-61300	Gauge base	1	
20	0212016	Seeger D.18	1	
21	P4-61002	Spring	1	
22	0202022	Screw M4X10 - GB/T70.1	1	
23	P4-61015	Eccentric bush	1	
24	P4-61008	Bush	2	
25	0203004	Nut M6 - GB/T52	3	
26	0202026	Screw M6X30 - GB/T70.1	1	
27	P4-61014	Pin	1	

TAV.71.0	WIDTH GAUGE ASSEMBLY	ED. 11/17
----------	----------------------	-----------

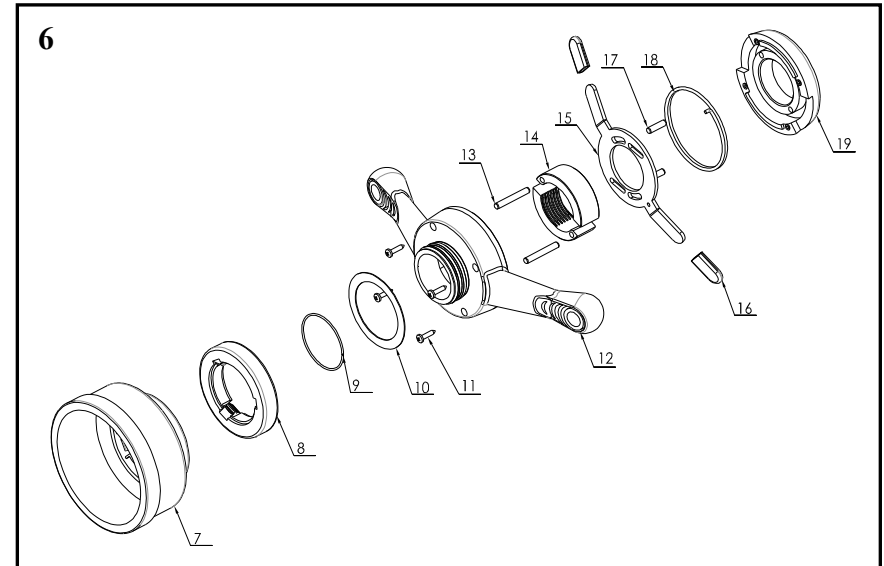
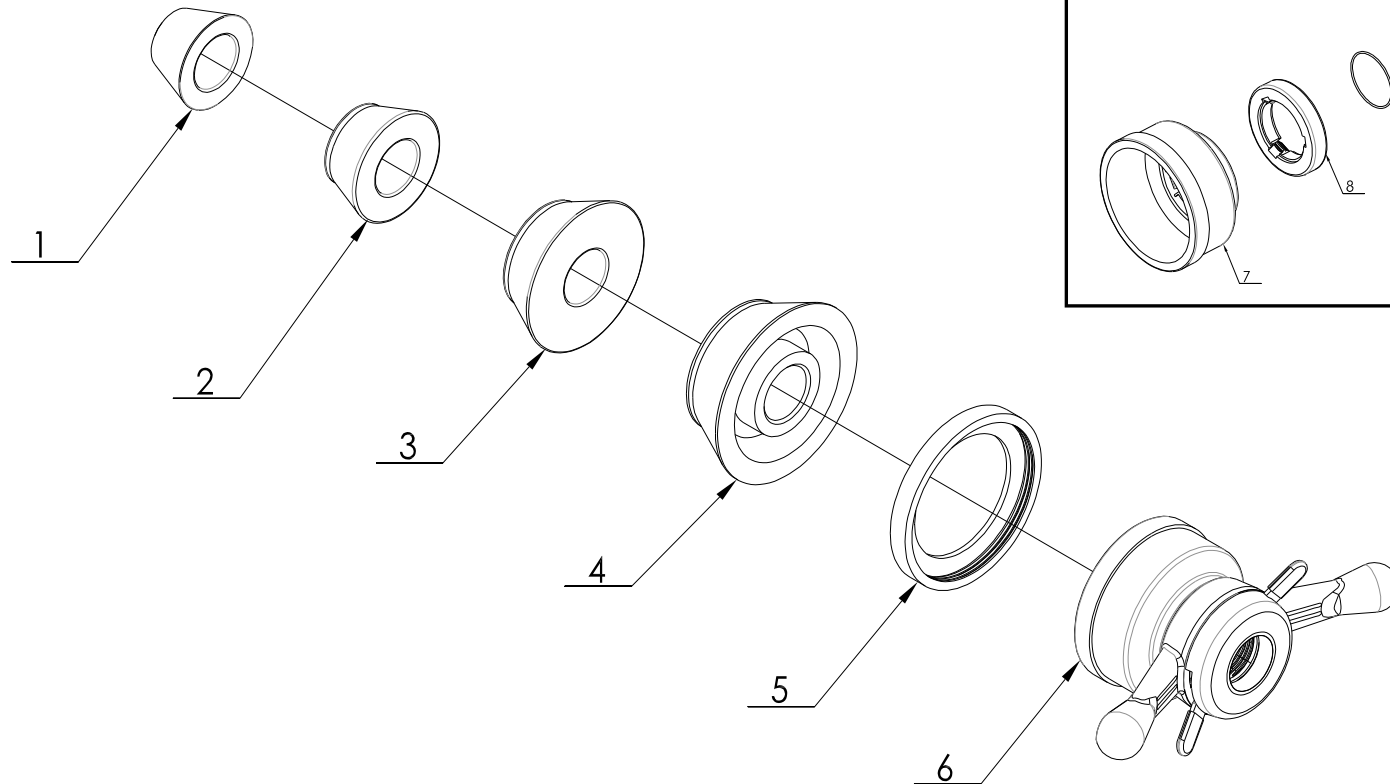
28	P4-61010	Gear	1
29	0209047	Screw M6X6 - GB/T80	4
30	P4-61009	Spacer	2
31	P4-61004	Spacer	4
32	P4-61012	Cover	1
33	0207009	Screw M5X12 - GB/T819	8
34	P4-61100	Index	1



TAV.73.0	BALANCING SHAFT ASSEMBLY	ED. 11/17
----------	--------------------------	-----------

ITEM	PART NO.	DESCRIPTION	QTY	REMARK
1	0202064	Screw M10X160 - GB/T70.1	1	
2	P1-10021	Thread end piece	1	
3	P1-11012	Seeger ring	1	
4	P1-11011	Cover	1	
5	P1-11010	Captured spring	1	
6	P1-10010	Balancing wheel	1	
7	0511049	Drive belt 6-J290	1	
8	P1-11002	Phase disk	1	
9	0205003	Washer D.4 - GB/T96	4	
10	0208002	Locking washer D.4 - GB/T93	7	
11	0214002	Bearing 6006	1	
12	0211006	Seeger D.55	1	
13	P1-11004	Special screw	2	
14	0203011	Nut M10 - GB/T6170	2	
15	0507087	Piezo sensor	2	
16	0215068	Steel ball D.9	4	
17	P1-11013	Fastening plate	1	
18	0205004	Washer D.5 - GB/T97.1	2	
19	0206026	Screw M5X16 - GB/T818	2	
20	0212021	Seeger D.30 - GB/T894.1	1	
21	0214001	Bearing 6005	1	
22	0212004	Seeger D.25 - GB/T894.1	1	
23	0202008	Screw M4X8 - GB/T70.1	8	
24	P10A300001	Support	1	
25	0203001	Nut M3 - GB/T52	2	
26	0205001	Washer D.3 - GB/T97.1	2	
27	0507085	Phase encoder	1	

28	0205002	Washer D.4 - GB/T97.1	2
29	P1-11005	Encoder support	1
30	0201136	Screw M3X10 - GB/T9074.4	2
31	0202011	Screw M4X16 - GB/T70.1	1
32	P1-11007Y	Washer	1
33	P1-11003Y	Motor pulley	1
34	0201115	Screw M5X20 - GB/T5781	4
35	0208003	Locking washer D.5 - GB/T93	4
36	0205005	Washer D.5 - GB/T96	4
37a	0509008	Motor 220V/50Hz 0.18KW	1
37b	0509022	Motor 220V/60Hz 0.18KW	1
37c	0509082	Motor 230V/50Hz 0.18KW	1
37d	0509083	Motor 110V/60Hz 0.18KW	1
38	P1B-11100UL	Complete shaft	1



STANDARD ACCESSORIES

ED. 11/17

ITEM	PART NO.	DESCRIPTION	QTY	REMARK
1	P1-12001W	Cone 44-70	1	
2	P1-12002W	Cone 59-82	1	
3	P1-12003W	Cone 78-111	1	
4	P1-12004W	Cone 85-132	1	
5	P1-50001	Rubber cap	1	
6	P1-50000	Quick nut kit TR40X3	1	
7	P1-50005	Clamping hood	1	
8	P1-50004	Quick nut	1	
9	P1-50008	Spring	1	
10	P1-50009	Washer	1	
11	0207058	Self-tapping screw ST3.5X16	4	
12	P1-50002	Handle	1	
13	0213074	Elastic pin 5X35	2	
14	P1-50012	Clamp	1	
15	P1-50006	Clamping plate	1	
16	P1-50013	Plastic cover	2	
17	0213085	Pin 5X18 - GB/T119.2	2	
18	P1-50007	Returning spring	1	
19	P1-50003	Nut flange	1	