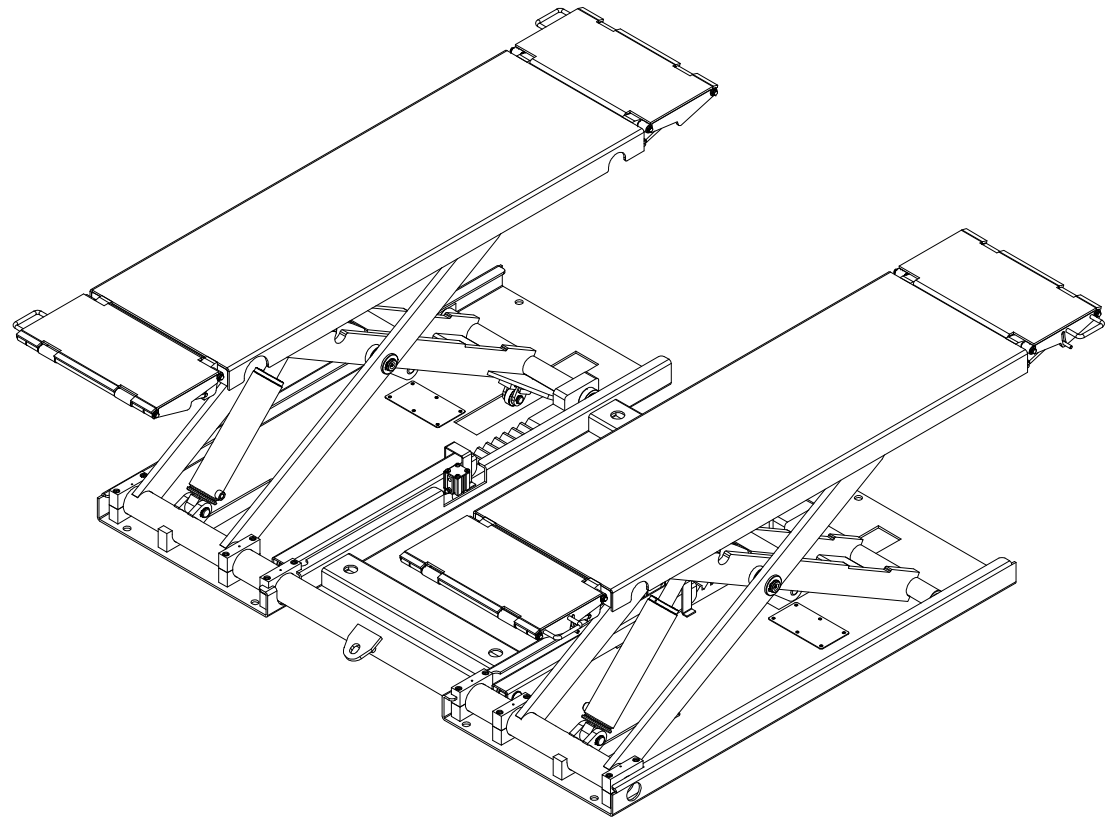


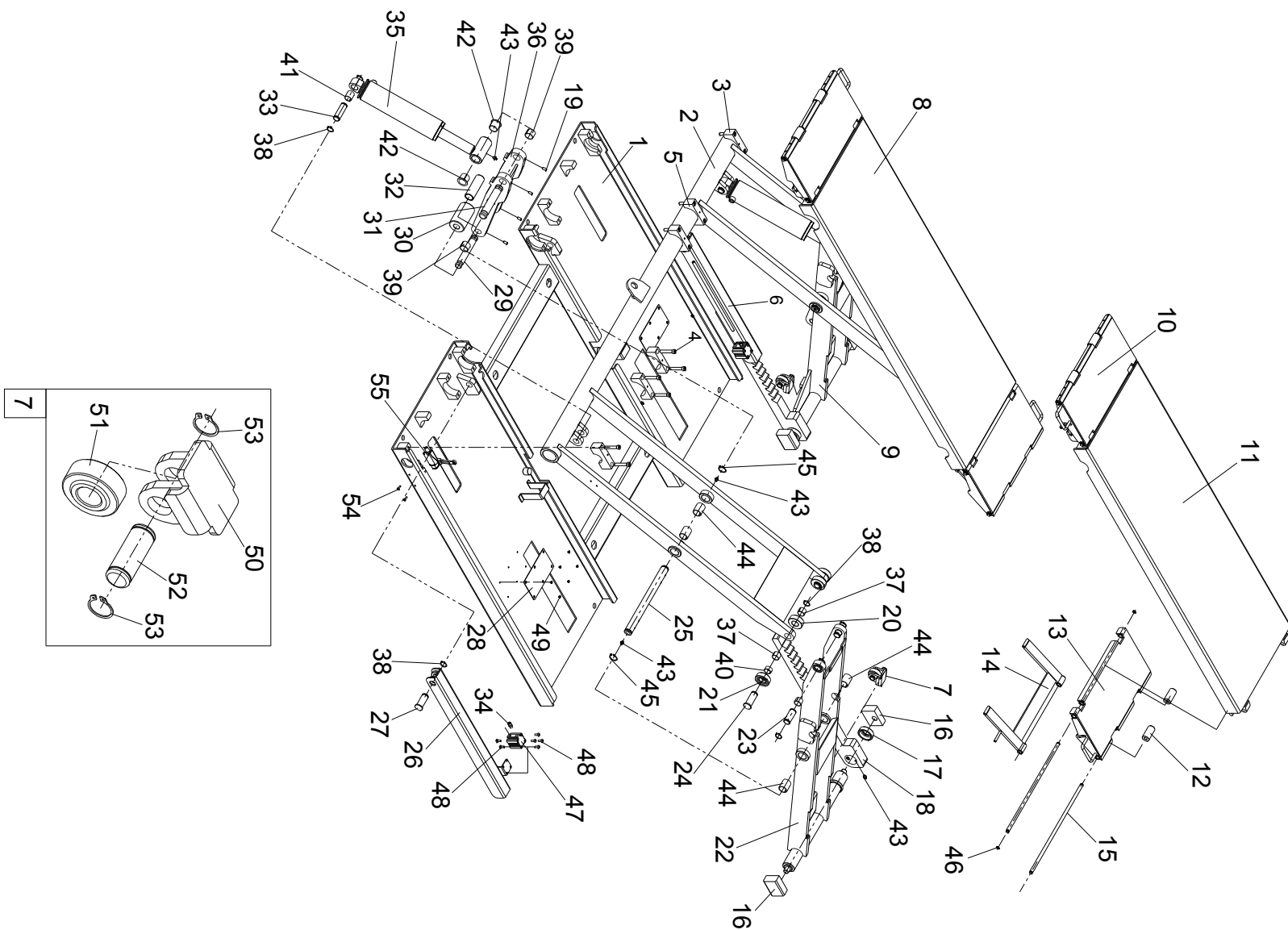
ED. 06/2016

**PART CATALOGUE**

**STD-7530D**

**MID-RISE LIFT**





TAV.1.0

LIFT

ED. 06/16

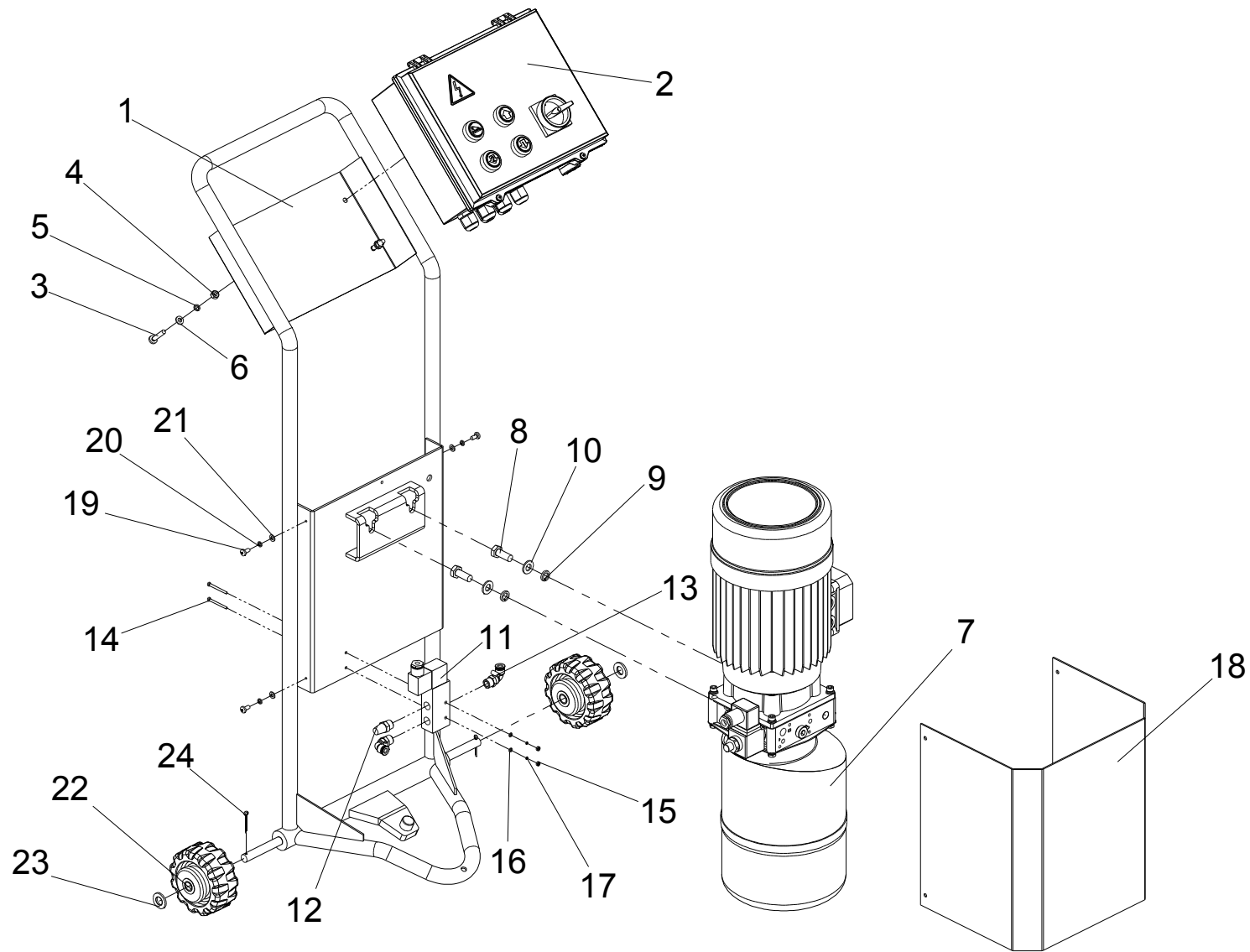
ITEM	PART NO.	DESCRIPTION	QTY	REMARK
1	32MB00	Base	1	
2	32ME00	Outer scissor	1	
3	32MB04D	Arm support D	2	
4	0202066	Screw M10X60 - GB/T70.1	12	
5	32MB03B	Arm support B	4	
6	32MG30	Upper safety rack	1	
7	32MW00	Wheel assembly	2	
8	32MDC00	Table assembly	1	
9	32MF00	Left inner scissor	1	
10	33M-D210	Ramp 2	2	
11	32MDC00	Table	1	
12	YA20-0464	Guide roller	8	
13	33M-D110	Ramp 1	2	
14	32MDD30	Ramp locking plate	4	
15	32ML12	Ramp shaft	8	
16	32MF11	Nylon slider	4	
17	32MF12	Spacer	2	
18	32MG02	Lower safety rack	2	
19	0209006	Screw M8X16 - GB/T77	8	
20	32ME13	Inner wheel	4	
21	32ME12	Outer wheel	4	
22	32MF00	Right inner scissor	1	
23	32MC11	Upper shaft	4	
24	32ME14	Upper wheel shaft	4	
25	32ME11	Middle shaft	2	
26	32MG30	Upper safety rack	1	
27	32MB12	Shaft	2	

TAV.1.0	LIFT		ED. 06/16
---------	------	--	-----------

28	32MB11	Spacer	2
29	32MI14	Lower shaft	2
30	32MI13	Wheel	2
31	32MI09	Upper shaft	2
32	32MI12	Bush	2
33	32ME15	Lower shaft	2
34	0306141	Union G1-8	2
35	HL-32M70-0	Hydraulic cylinder	2
36	32MI00	Lifting lever	2
37	0210008	Self-lubricated bush 2520	12
38	0212004	Seeger D.25 - GB/T894.1	18
39	0210013	Self-lubricated bush 3024	4
40	0210039	Self-lubricated bush 2515	4
41	0210010	Self-lubricated bush 2530	2
42	0210070	Edged self-lubricated bush 3030	4
43	0215021	Greaser 8X1	8
44	0210016	Self-lubricated bush 3040	8
45	0212021	Seeger D.30 - GB/T894.1	4
46	0212001	Seeger D.12 - GB/T894.1	16
47	0306326	Safety air cylinder CQ2A32-25DZ	2
48	0206032	Screw M6X16 - GB/T818	12
49	0207033	Screw M4X6 - GB/T819.1	12
50	32MW10	Wheel support	1
51	32MW21	Wheel	1
52	32MW22	Wheel shaft	1
53	0212005	Seeger D.20 - GB/T894.1	2
54	0206026	Screw M5X16 - GB/T818	2

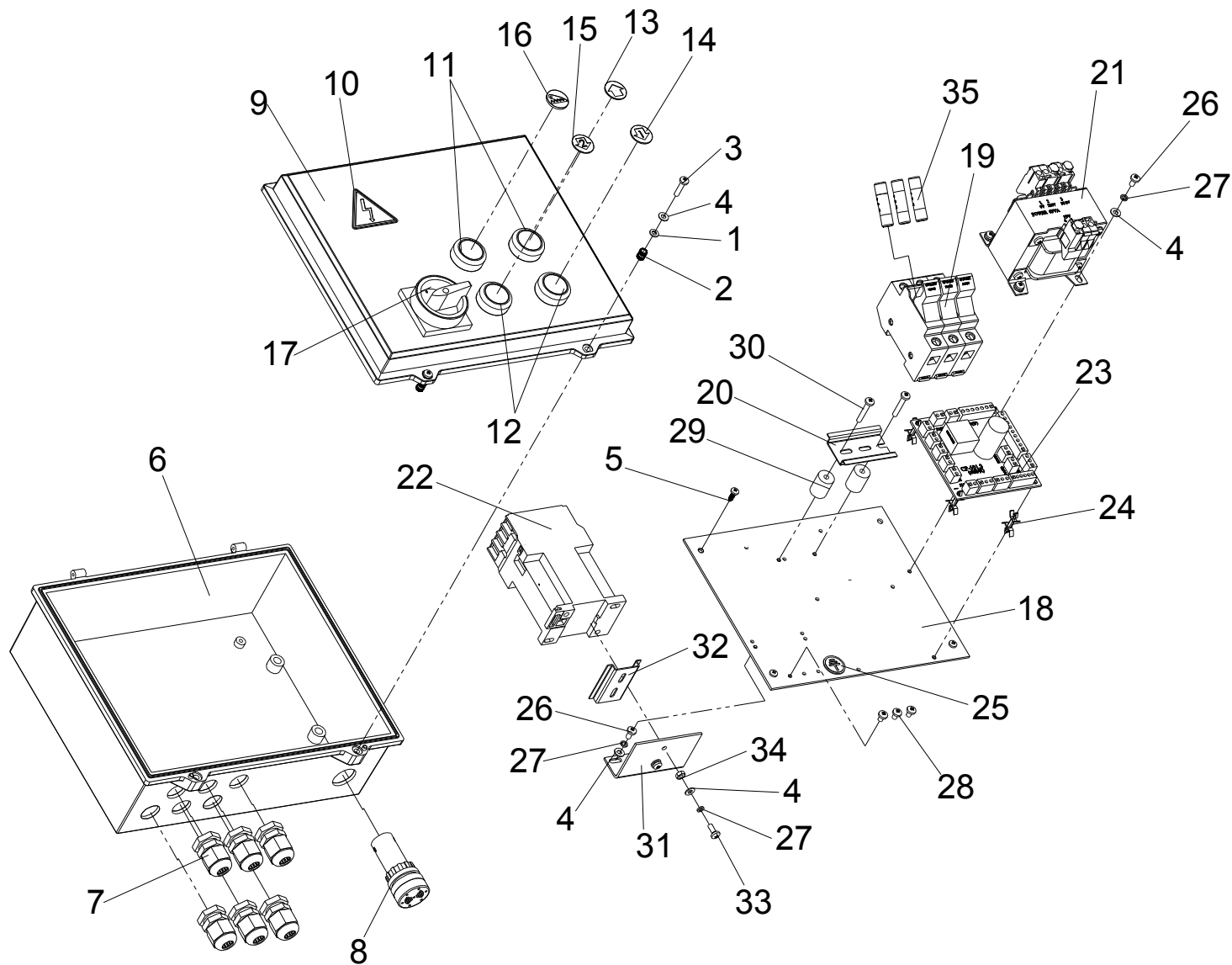
TAV.1.0	LIFT	ED. 06/16
---------	------	-----------

55      AZX8108      Safety height limit switch 8108      1



TAV.2.0	CONTROL UNIT	ED. 06/16
---------	--------------	-----------

ITEM	PART NO.	DESCRIPTION	QTY	REMARK
1	1062082100	Trolley frame	1	
2	7530D12100	Electric panel	1	
3	0206008	Screw M6X30 - GB/T818	4	
4	0203004	Nut M6 - GB/T52	4	
5	0208005	Elastic washer D.6 - GB/T93	4	
6	0205006	Washer D.6 - GB/97.1	4	
7	BZ-Y1-5T	Hydraulic power unit	1	
8	0201063	Screw M10X25 - GB/T5781	2	
9	0208007	Elastic washer D.10 - GB/T93	2	
10	0205011	Washer D.10 - GB/T97.1	2	
11	0306190	Solenoid air valve DC24V	1	
12	XQ130600	Silencer 1/4	1	
13	SPL06-02	90° quick union 6-1/4	2	
14	0206006	Screw M3X35 - GB/T818	2	
15	0203001	Nut M3 - GB/T52	2	
16	0205001	Washer D.3 - GB/T97.1	2	
17	0208001	Elastic washer D.3 - GB/T93	2	
18	1062082201	Cover	1	
19	0206024	Screw M5X10 - GB/T818	4	
20	0208003	Elastic washer D.5 - GB/T93	4	
21	0205004	Washer D.5 - GB/T97.1	4	
22	0511103	Wheel 4X2	2	
23	0205013	Washer D.12 - GB/T97.1	2	
24	0213038	Split pin 2X26 - GB/T91	2	



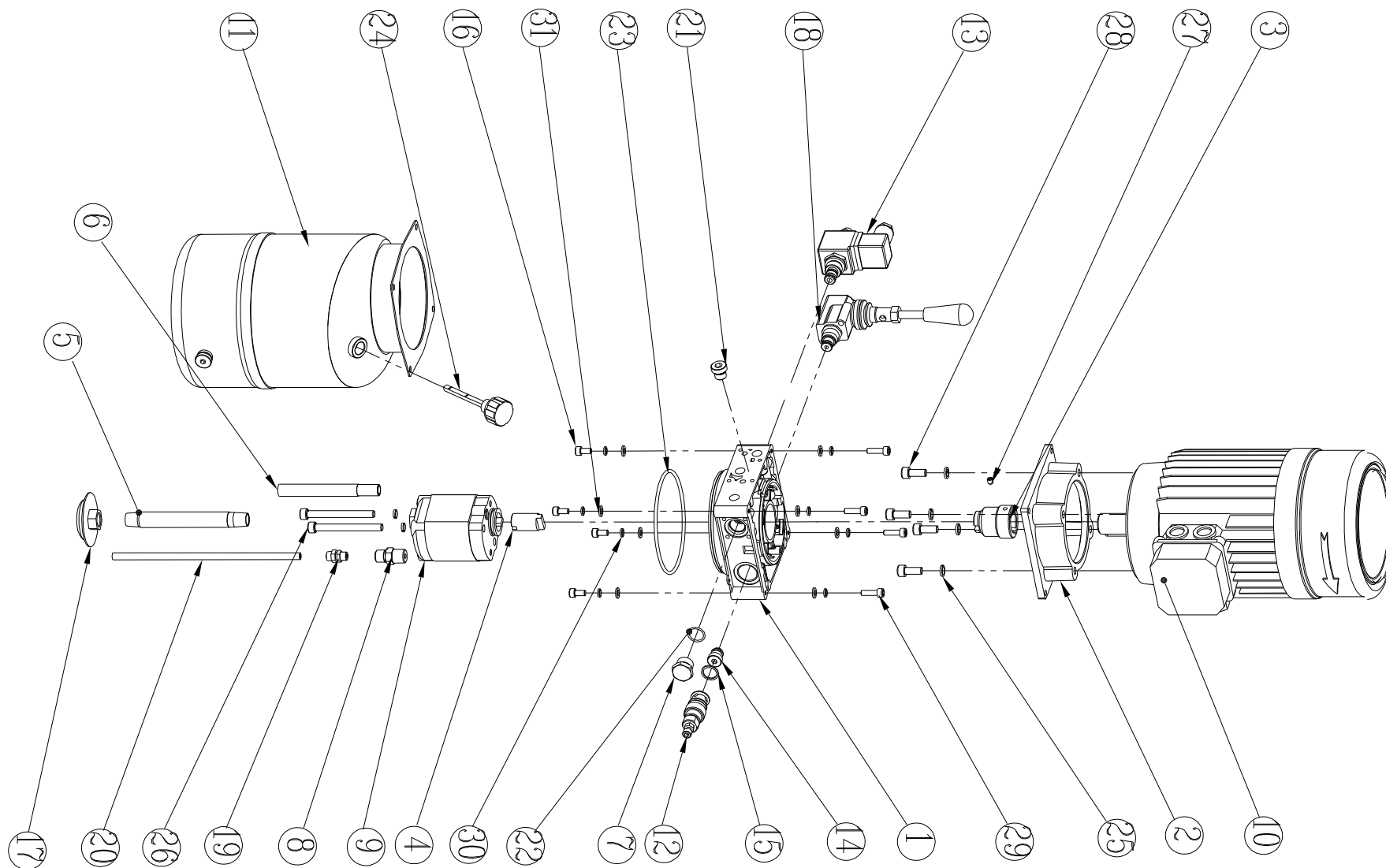


TAV.2.1	ELECTRIC PANEL	ED. 06/16
---------	----------------	-----------

ITEM	PART NO.	DESCRIPTION	QTY	REMARK
1	0215079	Washer M4	2	
2	0204066	Nut M4X8 - GB/T809	2	
3	0206044	Screw M4X18 - GB/T818	2	
4	0205002	Washer D.4 - GB/T97.1	9	
5	0207032	Self-tapping screw ST3.5X13 - GB/T845	4	
6	7530D12121	Lower box	1	
7	0508252	Cable relief	6	
8	0502021	Beeper 24DVC	1	
9	J32MD11131	Front cover	1	
10	0510068	Lightning decal	1	
11	0502024	Pushbutton LAY37T-10	2	
12	0502026	Pushbutton LAY37T-11	2	
13	0510196	Up decal	1	
14	0510169	Down1 decal	1	
15	0510169	Down2 decal	1	
16	0510196	Safety engaging decal	1	
17	0505028	Power switch LW26GS-20	1	
18	3054511800	Support	1	
19	0504001	Support	3	
20	0508330	Guide DZ47 L=55	1	
21	0503047	Transformer JBK-63 (0-220-380V/0-19V)	1	
22	0501044	Contactoer 1210/DC24V	1	
23	0507141	Control board CP-501.3	1	
24	0508302	Cable holder HDB-16A	4	
25	0510380	Ground decal	1	
26	0206023	Screw M4X8 - GB/T818	5	
27	0208002	Elastic washer D.4 - GB/T93	7	

TAV.2.1	ELECTRIC PANEL		ED. 06/16
---------	----------------	--	-----------

28	0206019	Screw M4X6 - GB/T818	3
29	3054500400	Support	2
30	0206017	Screw M4X25 - GB/T818	2
31	3054504500	Support	1
32	0508330	Guide DZ47 L=45	1
33	0206012	Screw M4X10 - GB/T818	2
34	0203002	Nut M4 - GB/T6170	2
35	0504009	Fuse(RT18-32-16A/10X38)	3

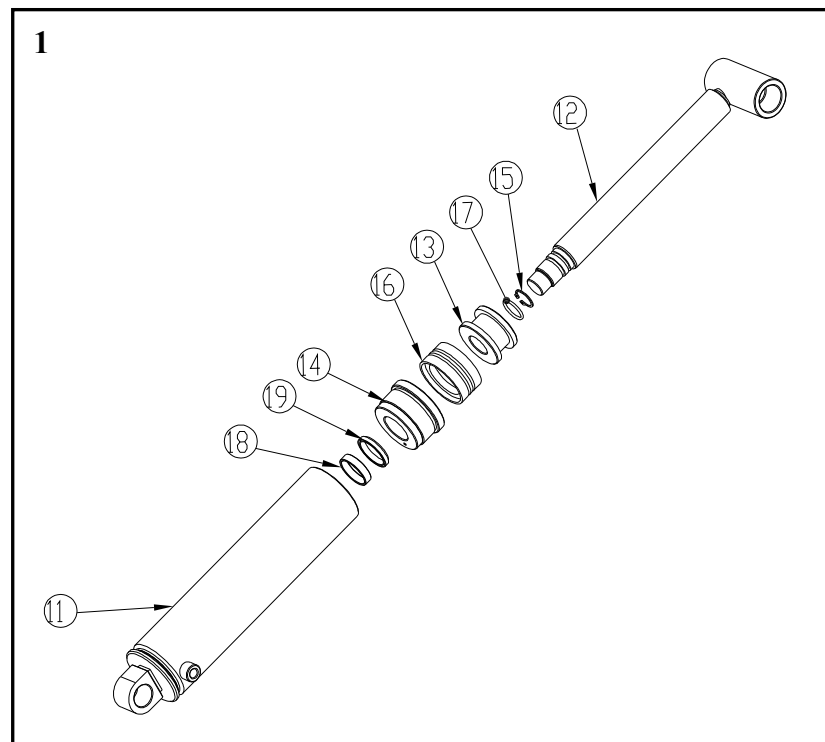
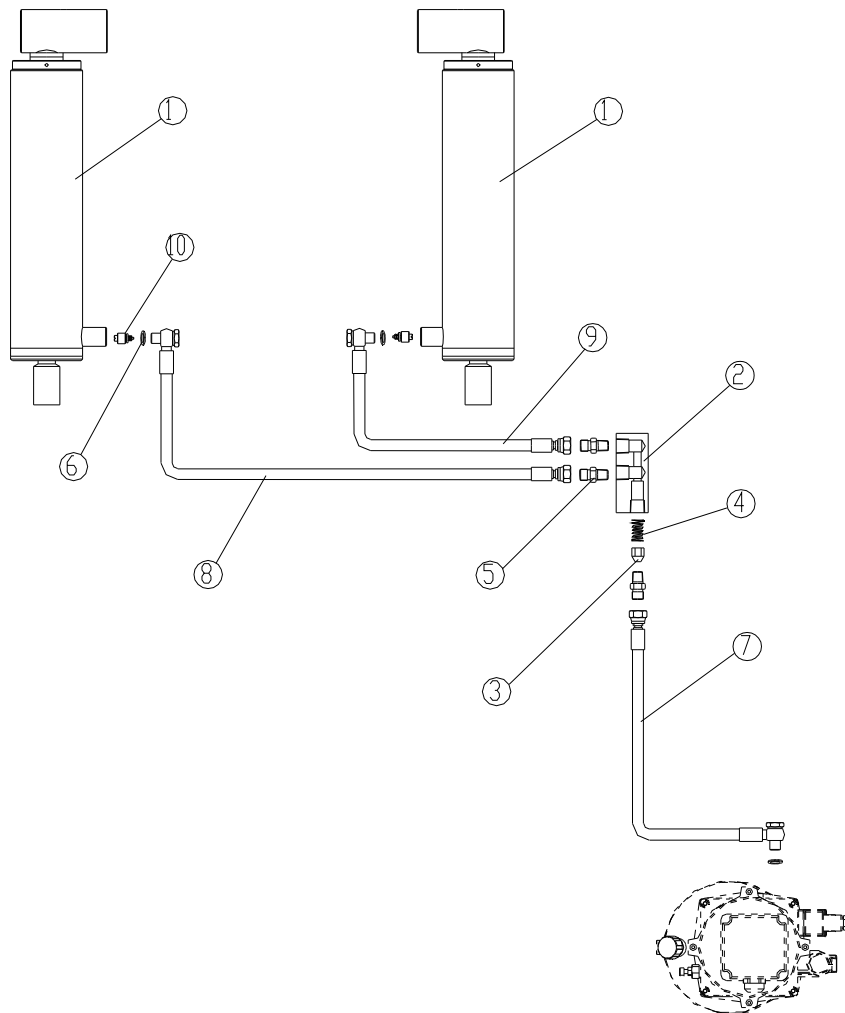


TAV.2.2	HYDRAULIC POWER UNIT	ED. 06/16
---------	----------------------	-----------

ITEM	PART NO.	DESCRIPTION	QTY	REMARK
1	BZ-ZB-Y	Manifold	1	
2	BZ-DJ-1B	Motor flange	1	
3	BZ-ZT24	Motor joint	1	
4	BZ-BJ36	Pump joint	1	
5	BZ-G18X145	Oil suction pipe	1	
6	BZ-G14X120	Oil returning pipe	1	
7	BZ-SD-01	Cap	1	
8	0303064	Union 3/8 (1BT-04-06SP)	1	
9	0301008	Gear pump 2.1cc	1	
10a	0509014	220V/380V/50Hz/3PH motor 1.5KW	1	
10b	0509118	230V/400V/50Hz/3PH motor 1.5KW	1	
10c	0509114	220V/380V/60Hz/3PH motor 1.5KW	1	
10d	0509080	220V/50Hz/1PH motor 1.5KW	1	
10e	0509093	230V/50Hz/1PH motor 1.5KW	1	
10f	0509109	220V/60Hz/1PH motor 1.5KW	1	
11	0305034	Oil tank Y123-5	1	
12	0307010	Pressure overload valve	1	
13	0307048	Lowering solenoid valve DC24V	1	
14	0307067	Non-return valve	1	
15	0313057	Copper washer 16X20	1	
16	0202024	Screw M6X12 - GT/T70.1	4	
17	0305010	Oil filter 3/8	1	
18	0307012 改成0301034	Emergency hand pump	1	
19	0306069	Union 8-1/8 (FN-8-01)	1	
20	0306097	Rilsan hose 8X5 L=225mm	1	
21	0305016	Plug 1/4	1	
22	0309054	O-ring 17.0X1.8 - GB3452.1	1	

TAV.2.2	HYDRAULIC POWER UNIT	ED. 06/16
---------	----------------------	-----------

23	0309060	O-ring 115X3.55 - GB3452.1	1
24	0305026	Oil level plug 3/8	1
25	0208006	Spring washer D.8 - GB/T93	6
26	0202045	Screw M8X80 - GB/T70.1	2
27	0209030	Screw M6X8 - GB/T78	1
28	0202045	Screw M8X20 - GB/T70.1	4
29	0202033	Screw M6X20 - GB/T70.1	4
30	0208005	Spring washer D.6 - GB/T93	8
31	0205006	Washer D.6 - GB/97.1	8



TAV.35.0	HYDRAULIC CYLINDER	ED. 06/16
----------	--------------------	-----------

ITEM	PART NO.	DESCRIPTION	QTY	REMARK
1	32M-70-0	Hydraulic cylinder	2	
2	7530-Y-1	Flow divider	1	
3	7530-Y-2	Flow restrictor	1	
4	7530-Y-3	Spring	1	
5	0303063	Union 1/4 (1BT-04SP)	3	
6	0313001	Washer 1/4	7	
7	7530-ZJ3000	Hydraulic hose L=3000	1	
8	7530-ZJ1620	Hydraulic hose L=1620	1	
9	7530-ZJ390	Hydraulic hose L=390	1	
10	0307021	Parachute valve 1/4	2	
11	32M-70-2	Cylinder liner	1	
12	32M-70-3	Cylinder shaft	1	
13	MS100-70-2	Piston	1	
14	32M-70-1	Cylinder guiding cover	1	
15	0212006	Seeger D. 26 - GB/T894.2	1	
16	0312014	Gasket 70X50X22.4	1	
17	0309025	O-ring 32X3.1 - GB1235	1	
18	0305007	Guide ring 38X10X2.5 - GB/T15242.2	1	
19	0311007	Scraper 38X46X5	1	