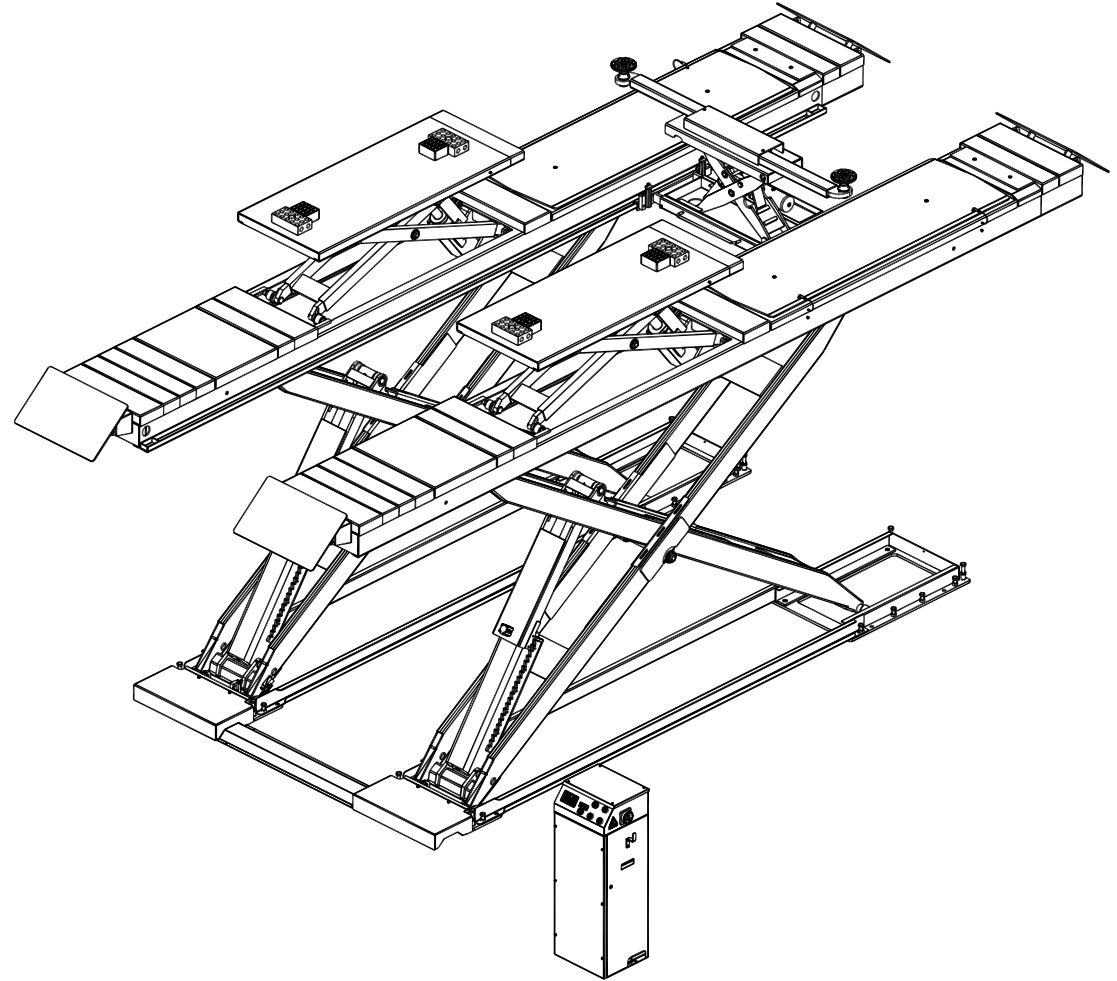
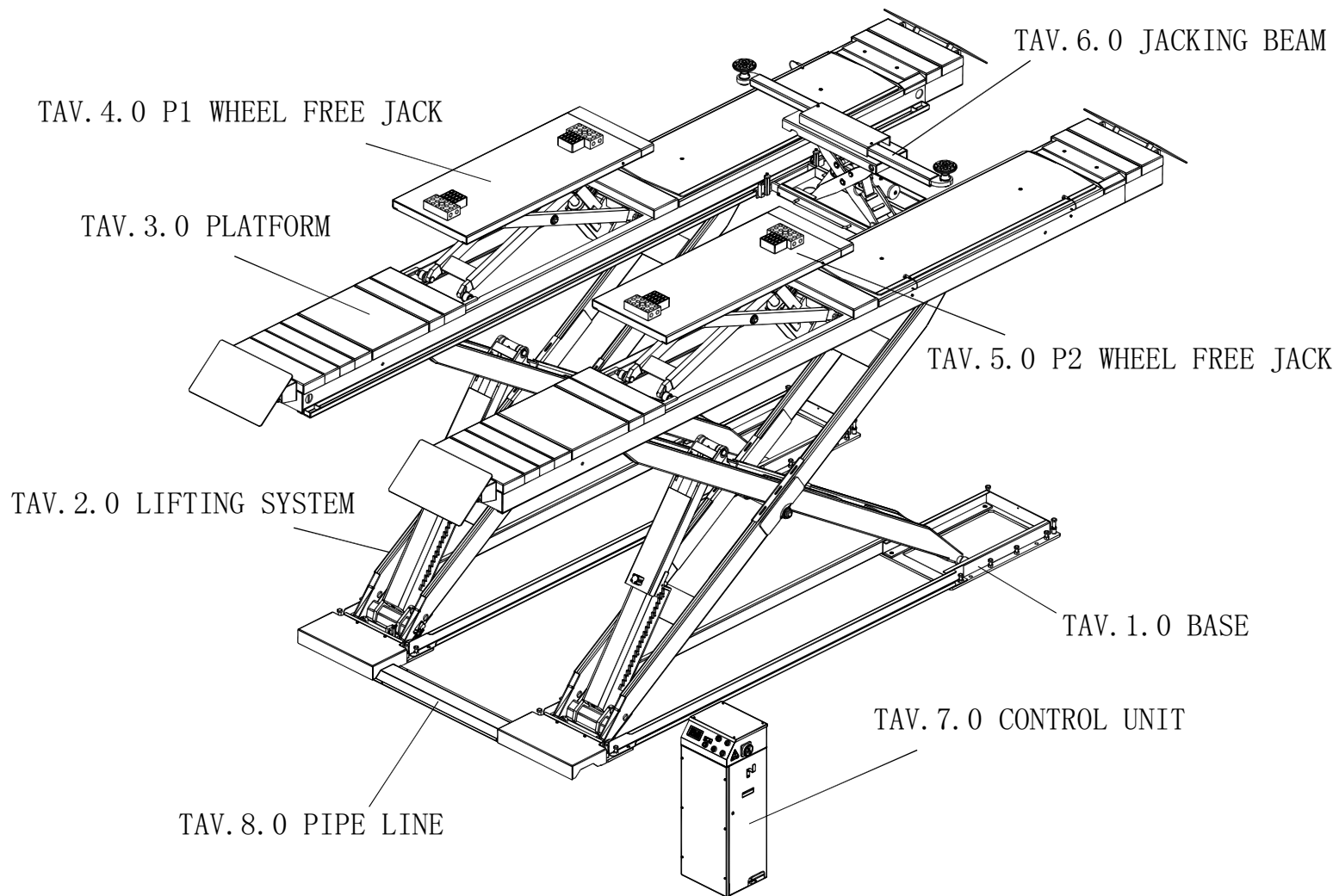


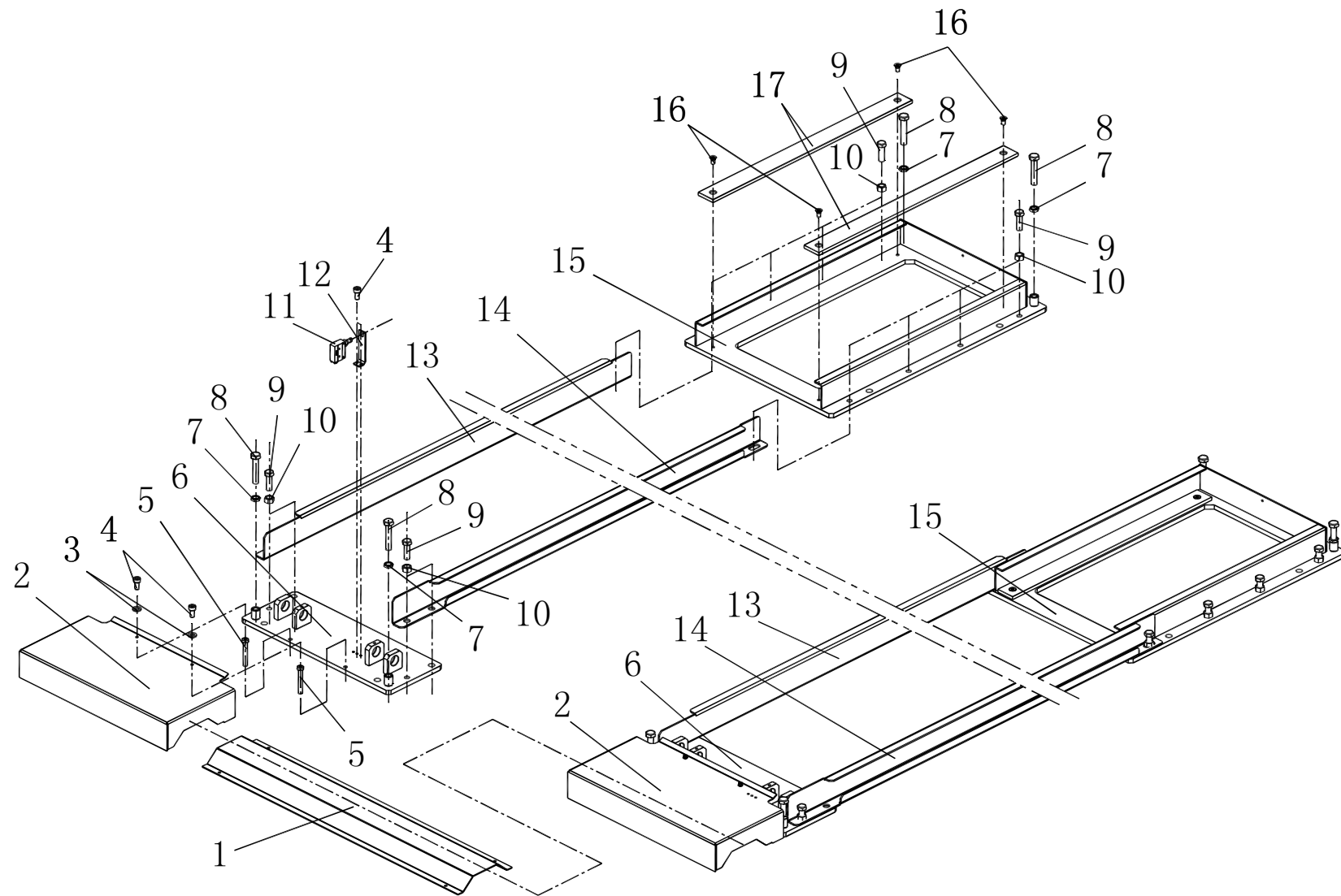


ED. 07/2017

**PART CATALOGUE**  
**STD-8350D**

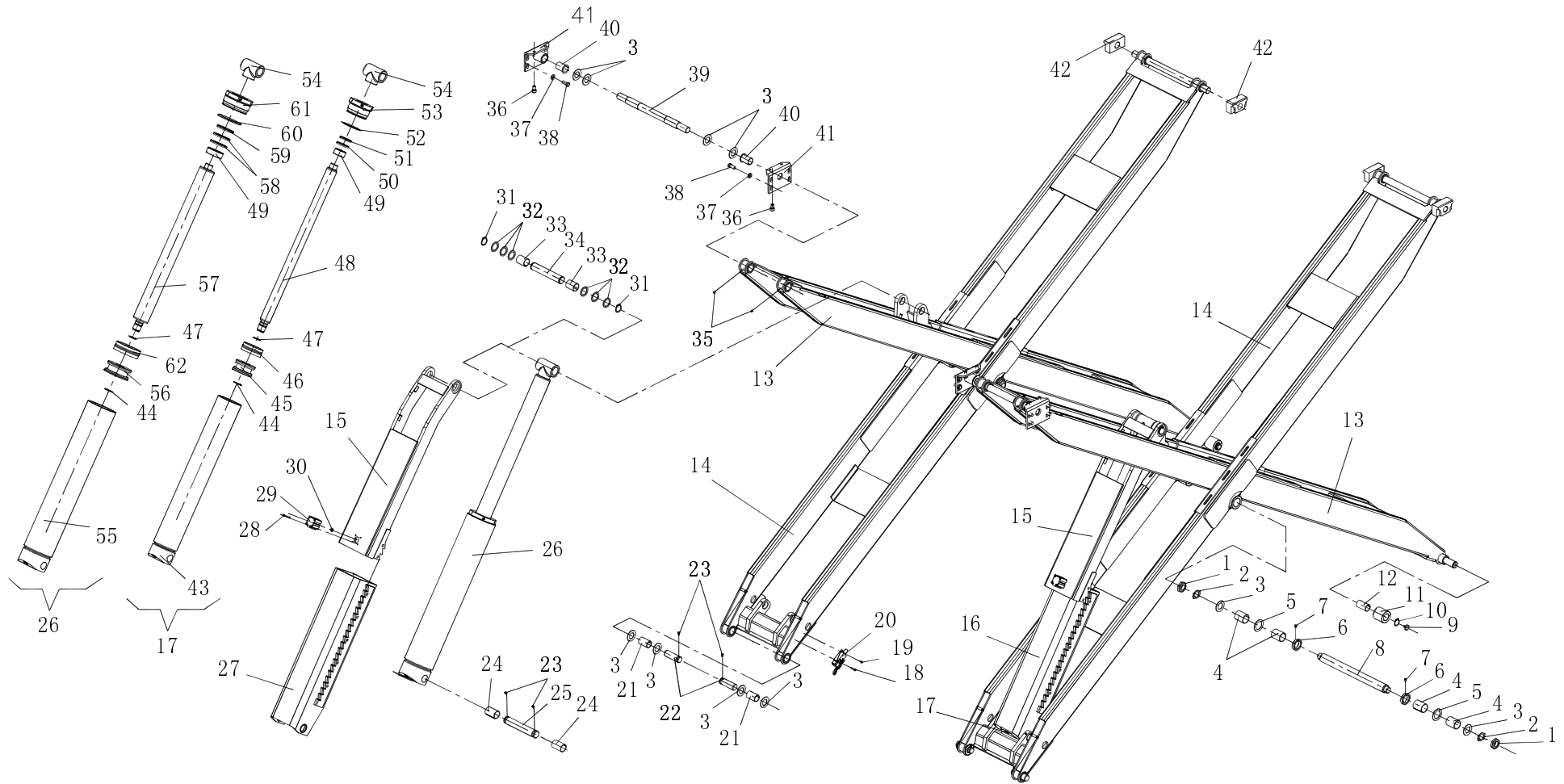






|         |      |           |
|---------|------|-----------|
| TAV.1.0 | BASE | ED. 07/17 |
|---------|------|-----------|

| ITEM | PART NO.      | DESCRIPTION              | QTY | REMARK |
|------|---------------|--------------------------|-----|--------|
| 1    | 8240TX-000862 | Front hose cover         | 1   |        |
| 2    | 824-000001    | Base hose cover          | 2   |        |
| 3    | 0205006       | Washer D.6 - GB/T97.1    | 4   |        |
| 4    | 0202024       | Screw M6X12 - GB/T70.1   | 6   |        |
| 5    | 824-000002    | Bolt                     | 4   |        |
| 6    | 824-111000    | Front base               | 2   |        |
| 7    | 0204032       | Nut M16 - GB/T6172.1     | 8   |        |
| 8    | 0201180       | Screw M16X85 - GB/T5780  | 8   |        |
| 9    | 0201103       | Screw M16X50 - GB/T5781  | 20  |        |
| 10   | 0203025       | Nut M16 - GB/T6170       | 20  |        |
| 11   | 0505017       | Top limit switch 7311    | 1   |        |
| 12   | CJS30-01-04   | Switch support           | 1   |        |
| 13   | J62B110002    | Base connection plate 1  | 2   |        |
| 14   | J62B110001    | Base connection plate 1  | 2   |        |
| 15   | 824-112000    | Rear base                | 2   |        |
| 16   | 0207022       | Screw M10X20 - GB/T819.1 | 8   |        |
| 17   | 824-110001    | Lower wheel guide        | 4   |        |



|         |                |           |
|---------|----------------|-----------|
| TAV.2.0 | LIFTING SYSTEM | ED. 07/17 |
|---------|----------------|-----------|

| ITEM | PART NO.       | DESCRIPTION                     | QTY | REMARK |
|------|----------------|---------------------------------|-----|--------|
| 1    | 0204015        | Nut M30 - GB/T6172.1            | 4   |        |
| 2    | 0205025        | Teethed washer D.30             | 4   |        |
| 3    | ZJJ3-17        | Shim                            | 20  |        |
| 4    | 0210080        | Bush SF-1/4055                  | 8   |        |
| 5    | 8250-18        | Shim                            | 4   |        |
| 6    | 8250-02-26     | Spacer                          | 4   |        |
| 7    | 0209012        | Screw M8X12 - GB/T78            | 4   |        |
| 8    | 824-100004     | Central shaft                   | 2   |        |
| 9    | ZJJ3-02-01-08  | Nylon plug                      | 4   |        |
| 10   | 0212021        | Seeger D.30                     | 4   |        |
| 11   | 8240B-02-02-16 | Lower wheel                     | 4   |        |
| 12   | 0210046        | Bush SF-1/3060                  | 4   |        |
| 13   | J62B120000     | Inner scissor arm               | 2   |        |
| 14   | J62B130000     | Outer scissor arm               | 2   |        |
| 15   | J62B181000     | Upper safety rack               | 2   |        |
| 16   | J62B282000     | P1 lower safety rack            | 1   |        |
| 17   | J62BY20000     | Slave hydraulic cylinder unit   | 1   |        |
| 18   | 0206017        | Screw M4X25 - GB/T818           | 1   |        |
| 19   | 0206013        | Screw M4X12 - GB/T818           | 1   |        |
| 20   | 0505018        | Safety height limit switch 8108 | 1   |        |
| 21   | 0210018        | Bush SF-1/3055                  | 4   |        |
| 22   | 824-100003     | Lower shaft                     | 4   |        |
| 23   | 0209025        | Screw M8X12 - GB/T79            | 8   |        |
| 24   | 0210028        | Bush SF-1/3560                  | 4   |        |
| 25   | J62B100001     | Cylinder lower shaft            | 2   |        |
| 26   | J62BY10000     | Master hydraulic cylinder unit  | 1   |        |
| 27   | J62B182000     | P2 lower safety rack            | 1   |        |

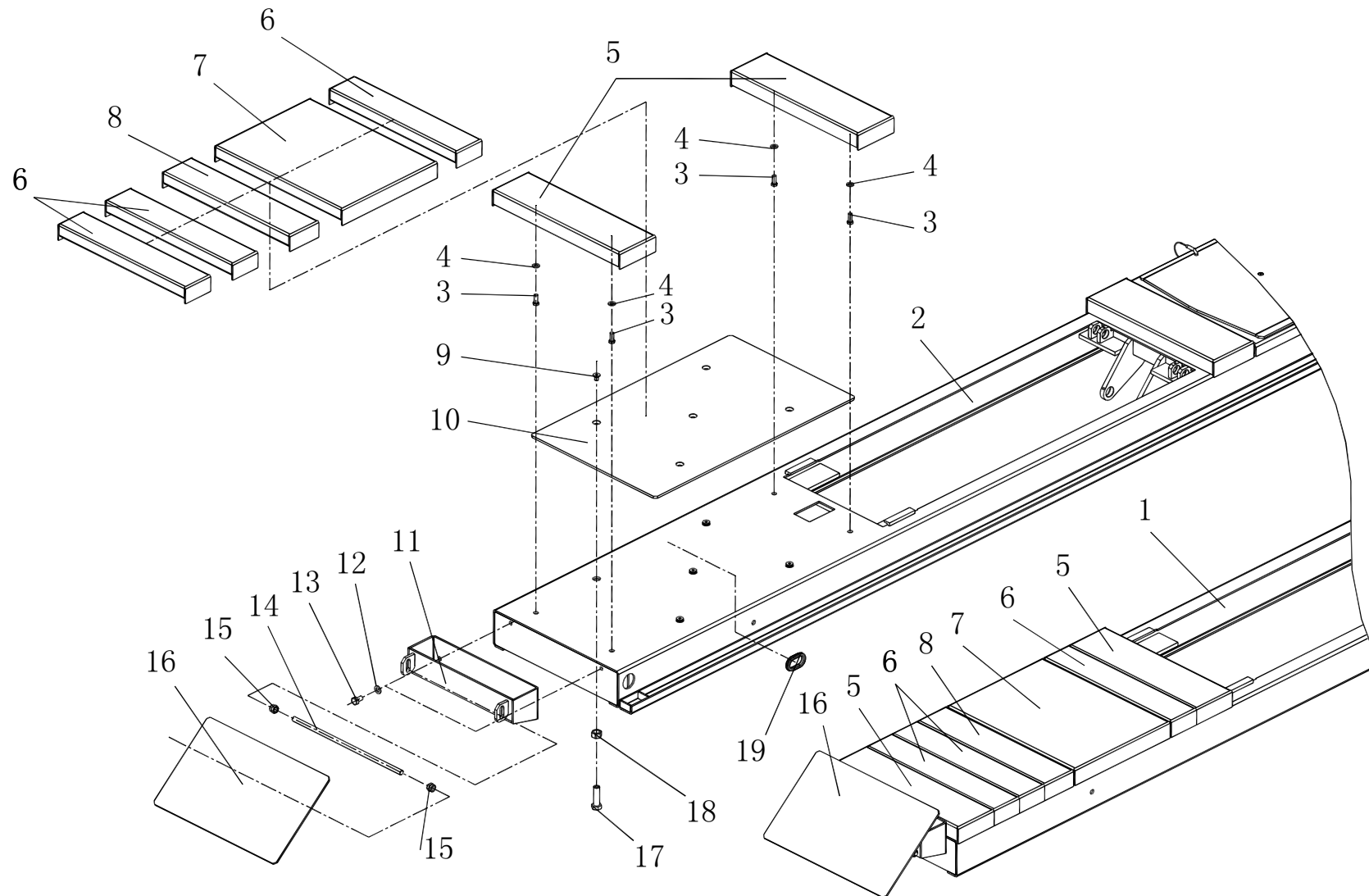
|         |                |           |
|---------|----------------|-----------|
| TAV.2.0 | LIFTING SYSTEM | ED. 07/17 |
|---------|----------------|-----------|

|    |              |                                   |    |
|----|--------------|-----------------------------------|----|
| 28 | 0202010      | Screw M4X50 - GB/T70.1            | 8  |
| 29 | 0306010      | Safety release air cylinder 32X23 | 2  |
| 30 | 0207043      | Screw M6X10 - GB/T973             | 2  |
| 31 | 0212022      | Seeger D.35                       | 4  |
| 32 | GJ300-400009 | Shim 2                            | 12 |
| 33 | 0210027      | Bush SF-1/3550                    | 4  |
| 34 | J62B100002   | Cylinder upper shaft              | 2  |
| 35 | 0209010      | Screw M6X10 - GB/T78              | 4  |
| 36 | 0202070      | Screw M12X20 - GB/T70.1           | 8  |
| 37 | 0205013      | Washer D.12 - GB/T97.1            | 16 |
| 38 | 0201074      | Screw M12X30 - GB/T5781           | 16 |
| 39 | 824-100005   | Upper shaft                       | 2  |
| 40 | 0210075      | Bush SF-1/3050F                   | 4  |
| 41 | 824-170000   | Leveling bracket                  | 4  |
| 42 | 824-100001G  | Nylon slider                      | 4  |
| 43 | J62BY21000   | Slave cylinder liner              | 1  |
| 44 | 0212007      | Seeger D.32                       | 2  |
| 45 | GJ350-100B-5 | Slave cylinder piston             | 1  |
| 46 | 0312003      | Gasket 100X75X22.4                | 1  |
| 47 | 0309027      | O-ring 38X3.1                     | 2  |
| 48 | J62BY28003   | Slave cylinder shaft              | 1  |
| 49 | 0305006      | Guiding ring 50X25X2.5            | 2  |
| 50 | 0310015      | Seal 50X60X6                      | 1  |
| 51 | 0311010      | Scraper 50X58X5/6.5               | 1  |
| 52 | 0309079      | O-ring 100X3.1                    | 1  |
| 53 | GJ350-100B-2 | Slave cylinder guiding cover      | 1  |
| 54 | 8250-120-06  | Cylinder bracket                  | 2  |

|         |                |           |
|---------|----------------|-----------|
| TAV.2.0 | LIFTING SYSTEM | ED. 07/17 |
|---------|----------------|-----------|

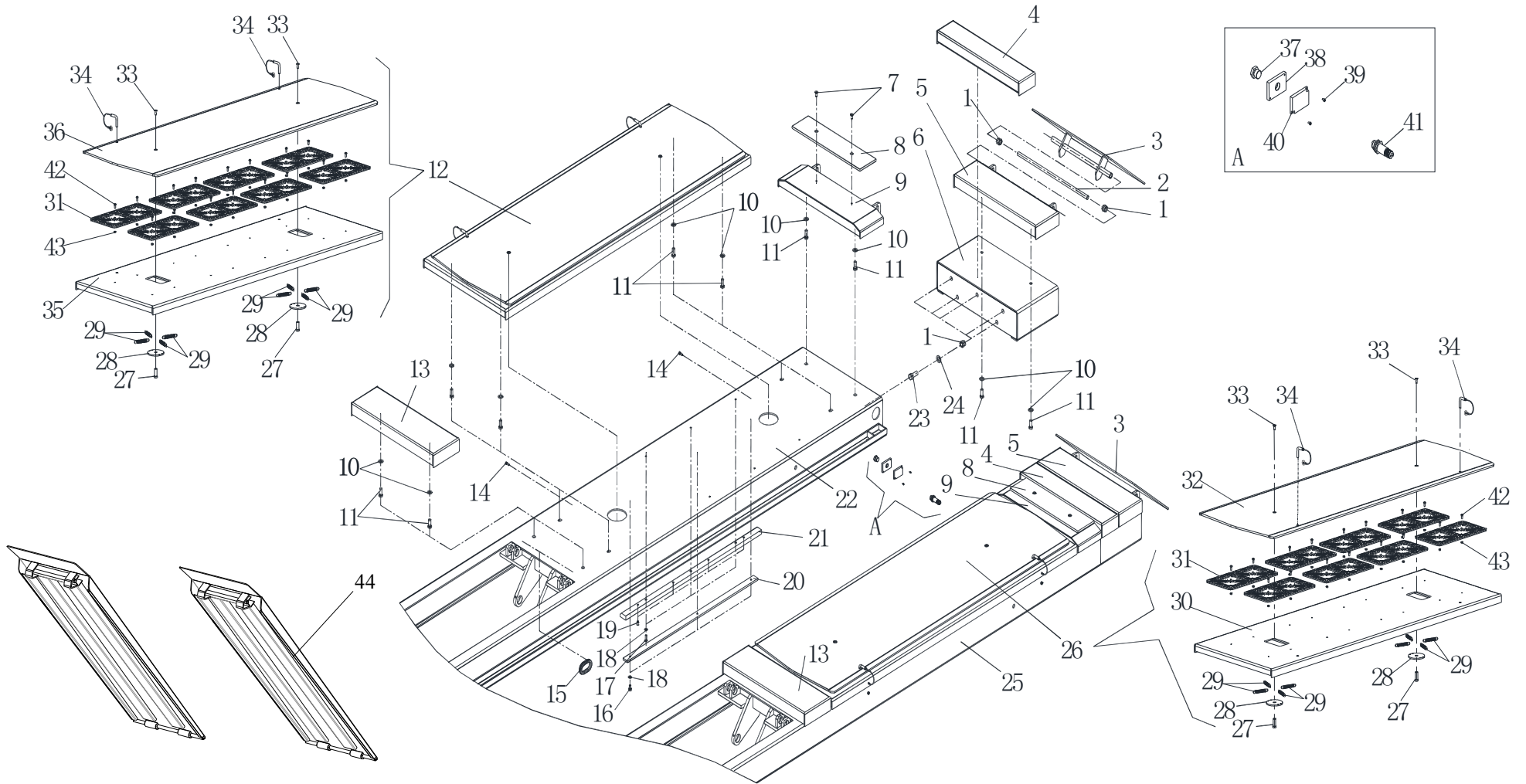
|    |            |                               |   |
|----|------------|-------------------------------|---|
| 55 | J62BY11000 | Master cylinder liner         | 1 |
| 56 | J62BY18001 | Master cylinder piston        | 1 |
| 57 | J62BY18003 | Master cylinder shaft         | 1 |
| 58 | 0310034    | Seal 75X85X7                  | 2 |
| 59 | 0311024    | Scraper 75X85X6/8             | 1 |
| 60 | 0309111    | O-ring 115X5.3                | 1 |
| 61 | J62BY18002 | Master cylinder guiding cover | 1 |
| 62 | 0312023    | Gasket 125X100X25.4X6.35      | 1 |





|         |                   |           |
|---------|-------------------|-----------|
| TAV.3.1 | PLATFORM – PART 1 | ED. 07/17 |
|---------|-------------------|-----------|

| ITEM | PART NO.      | DESCRIPTION                  | QTY | REMARK |
|------|---------------|------------------------------|-----|--------|
| 1    | J62B241000    | P2 Platform                  | 1   |        |
| 2    | J62B141000    | P1 Platform                  | 1   |        |
| 3    | 0201074       | Screw M12X30 - GB/T5781      | 8   |        |
| 4    | 0205013       | Washer D.12 - GB/T97.1       | 8   |        |
| 5    | 8240B4-03150A | Spacer                       | 4   |        |
| 6    | 8240C4-031501 | Removable spacer             | 6   |        |
| 7    | 8200TY-800002 | Turntable recess cover       | 2   |        |
| 8    | 8200TY-800006 | Removable spacer             | 2   |        |
| 9    | 0207038       | Screw M12X20 - GB/T70.3      | 10  |        |
| 10   | 8240B4-000812 | Turntable leveling baseplate | 2   |        |
| 11   | 824-000100    | Front ramp support           | 2   |        |
| 12   | 0205017       | Washer D.14 - GB/T97.1       | 4   |        |
| 13   | 0201085       | Screw M14X25 - GB/T5781      | 4   |        |
| 14   | 8200B6-800012 | Ramp shaft                   | 2   |        |
| 15   | 0204008       | Self-locking nut M16         | 4   |        |
| 16   | 8200TX-007100 | Short ramp                   | 2   |        |
| 17   | 8240B4-800011 | Special screw M20X70         | 10  |        |
| 18   | 0203012       | Nut M20 - GB/T6170           | 10  |        |
| 19   | 0606066       | Hose relief 61X5.5           | 2   |        |

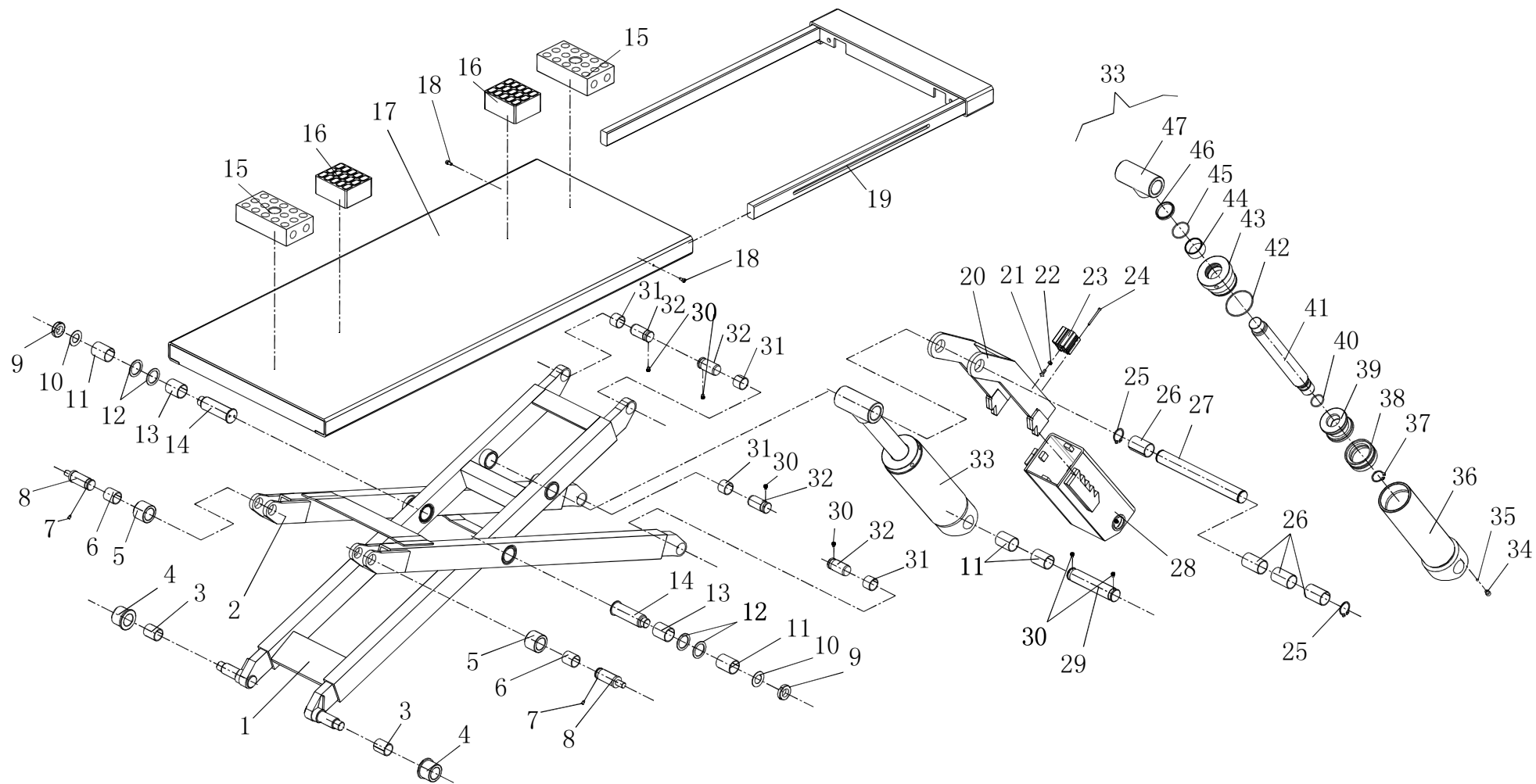


|         |                   |           |
|---------|-------------------|-----------|
| TAV.3.2 | PLATFORM - PART 2 | ED. 07/17 |
|---------|-------------------|-----------|

| ITEM | PART NO.      | DESCRIPTION                 | QTY | REMARK          |
|------|---------------|-----------------------------|-----|-----------------|
| 1    | 0204008       | Self-locking nut M16        | 14  |                 |
| 2    | 8200B6-800012 | Ramp shaft                  | 2   |                 |
| 3    | 8200TX-007100 | Short ramp                  | 2   |                 |
| 4    | 825D-810001   | Spacer                      | 2   |                 |
| 5    | 8200B4-031500 | Spacer                      | 2   |                 |
| 6    | J62B810100    | Rear extension              | 2   | Special request |
| 7    | 0207036       | Screw M8X20 - GB/T70.3      | 4   |                 |
| 8    | 825D-000001   | Spacer                      | 2   |                 |
| 9    | 825D-140100   | Spacer                      | 2   |                 |
| 10   | 0205013       | Washer D.12 - GB/T97.1      | 16  |                 |
| 11   | 0201074       | Screw M12X30 - GB/T5781     | 16  |                 |
| 12   | J62B142000    | P2 rear slipping plate unit | 1   |                 |
| 13   | J62B140100    | Spacer                      | 2   |                 |
| 14   | 0202032       | Screw M6X16 - GB/T70.1      | 4   |                 |
| 15   | 0606066       | Hose relief 61X5.5          | 2   |                 |
| 16   | 0202040       | Screw M8X16 - GB/T70.1      | 12  |                 |
| 17   | 0206037       | Screw M8X25 - GB/T70.2      | 12  |                 |
| 18   | 0205008       | Washer D.8 - GB/T97.1       | 24  |                 |
| 19   | 0209028       | Screw M10X16 - GB/T79       | 16  |                 |
| 20   | 824-140007    | Guide fastening plate       | 4   |                 |
| 21   | 824-140006    | Upper guide                 | 4   |                 |
| 22   | J62B141000    | P1 platform                 | 1   |                 |
| 23   | 0201130       | Screw M16X40 - GB/T5783     | 10  |                 |
| 24   | 0205020       | Washer GB/T97.1/16          | 10  |                 |
| 25   | J62B241000    | P2 Platform                 | 1   |                 |
| 26   | J62B242000    | P1 rear slipping plate unit | 1   |                 |
| 27   | 824B-142003   | Bolt                        | 4   |                 |

|         |                   |           |
|---------|-------------------|-----------|
| TAV.3.2 | PLATFORM - PART 2 | ED. 07/17 |
|---------|-------------------|-----------|

|    |             |                                      |    |          |
|----|-------------|--------------------------------------|----|----------|
| 28 | 824EH000382 | Spring cradle                        | 4  |          |
| 29 | XSZ-6-1     | Spring                               | 16 |          |
| 30 | J62B245100  | P2 roller gasket                     | 1  |          |
| 31 | J63A332000  | Slipping support                     | 16 |          |
| 32 | J62B242001  | P2 slipping plate                    | 1  |          |
| 33 | 0207036     | Screw M8X20 - GB/T70.3               | 4  |          |
| 34 | 824B-142200 | Stop pin                             | 4  |          |
| 35 | J62B145100  | P1 roller gasket                     | 1  |          |
| 36 | J62B242001  | P1 slipping plate                    | 1  |          |
| 37 | 8250-000085 | Bolt                                 | 1  |          |
| 38 | 8250-000083 | Reflector baseplate                  | 1  |          |
| 39 | 0206009     | Screw M3X6 – GB/T818                 | 2  |          |
| 40 | DQ00001     | Photo reflector                      | 1  |          |
| 41 | 0505058     | Photocell                            | 1  | optional |
| 42 | 0206032     | Screw M6X16 - GB/T818                | 32 |          |
| 43 | 0203004     | Nut M6 - GB/T52                      | 32 |          |
| 44 | J62B400000  | Long ramp for on-ground installation | 2  | optional |



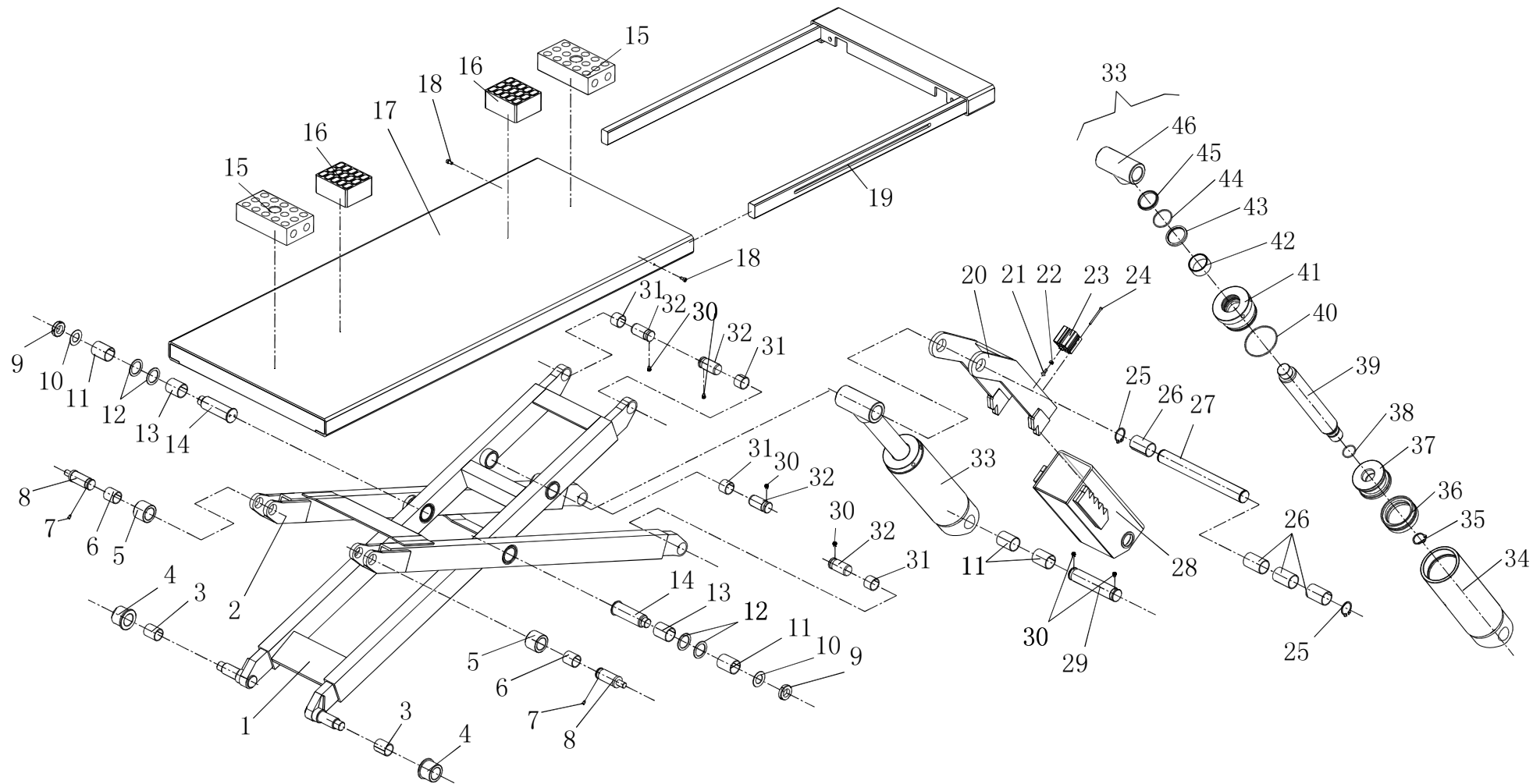
|         |                    |           |
|---------|--------------------|-----------|
| TAV.4.0 | P1 WHEEL FREE JACK | ED. 07/17 |
|---------|--------------------|-----------|

| ITEM | PART NO.       | DESCRIPTION                       | QTY | REMARK |
|------|----------------|-----------------------------------|-----|--------|
| 1    | 824-153000     | Inner scissor arm                 | 1   |        |
| 2    | 824-152000     | Outer scissor arm                 | 1   |        |
| 3    | 0210016        | Bush SF-1/3040                    | 2   |        |
| 4    | 8250-04-02-02  | Lower wheel                       | 2   |        |
| 5    | 8250-04-01-02  | Upper wheel                       | 2   |        |
| 6    | 0210057        | Bush SF-1/3035                    | 2   |        |
| 7    | 0209002        | Screw M6X10 - GB/T79              | 2   |        |
| 8    | 8250-04-01-01  | Upper shaft                       | 2   |        |
| 9    | 0204060        | Self-locking nut M25X1.5          | 2   |        |
| 10   | ZJJ3-04-01-09A | Spacer                            | 2   |        |
| 11   | 0210027        | Bush SF-1/3550                    | 4   |        |
| 12   | GJ300-400009   | Shim 2                            | 4   |        |
| 13   | 0210055        | Bush SF-1/3545                    | 2   |        |
| 14   | 824-04-01-08   | Central shaft                     | 2   |        |
| 15   | 0606032        | Rubber block 180X100X55           | 2   |        |
| 16   | 0606033        | Rubber block 115X100X55           | 2   |        |
| 17   | 824-05-00      | Lifting table                     | 1   |        |
| 18   | 0202024        | Screw M6X12 - GB/T70.1            | 2   |        |
| 19   | 824-05-9       | Table extension                   | 1   |        |
| 20   | 8250-07-02     | Upper safety rack                 | 1   |        |
| 21   | 0201173        | Screw M6X16 - GB/T12              | 1   |        |
| 22   | 0203004        | Nut M6 - GB52                     | 1   |        |
| 23   | 0306010        | Safety release air cylinder 32X23 | 1   |        |
| 24   | 0202010        | Screw M4X50 - GB/T70.1            | 4   |        |
| 25   | 0212022        | Seeger D.35                       | 2   |        |
| 26   | 0210028        | Bush SF-1/3560                    | 4   |        |
| 27   | 8250-07-01     | Cylinder upper shaft              | 1   |        |

|         |                    |           |
|---------|--------------------|-----------|
| TAV.4.0 | P1 WHEEL FREE JACK | ED. 07/17 |
|---------|--------------------|-----------|

|    |               |                                 |   |
|----|---------------|---------------------------------|---|
| 28 | 8250-07-06    | Lower safety rack               | 1 |
| 29 | 8250-06-01    | Cylinder lower shaft            | 1 |
| 30 | 0209025       | Screw M8X12 - GB/T79            | 6 |
| 31 | 0210013       | Bush SF-1/3024                  | 4 |
| 32 | 8250-04-02-08 | Shaft                           | 4 |
| 33 | J62BY40000    | P1 jack hydraulic cylinder unit | 1 |
| 34 | 8250-07D      | Bleeding screw                  | 1 |
| 35 | 0215059       | Steel ball D.6                  | 1 |
| 36 | J62BY41000    | P1 jack cylinder liner          | 1 |
| 37 | 0212007       | Seeger D.32                     | 1 |
| 38 | 0312016       | Gasket 80X60X22.4               | 1 |
| 39 | ZJJ40-02D     | P1 jack cylinder piston         | 1 |
| 40 | 0309027       | O-ring 38X3.1                   | 1 |
| 41 | ZJJ40-04D     | P1 jacking cylinder shaft       | 1 |
| 42 | 0309041       | O-ring 80X3.1                   | 1 |
| 43 | ZJJ40-05D     | Cylinder guiding cover          | 1 |
| 44 | 0305006       | Guiding ring 45X25X2.5          | 1 |
| 45 | 0309030       | O-ring 50X3.1                   | 1 |
| 46 | 0311009       | Scraper 45X53X5/6.5             | 1 |
| 47 | 8250-06C      | Cylinder bracket                | 1 |



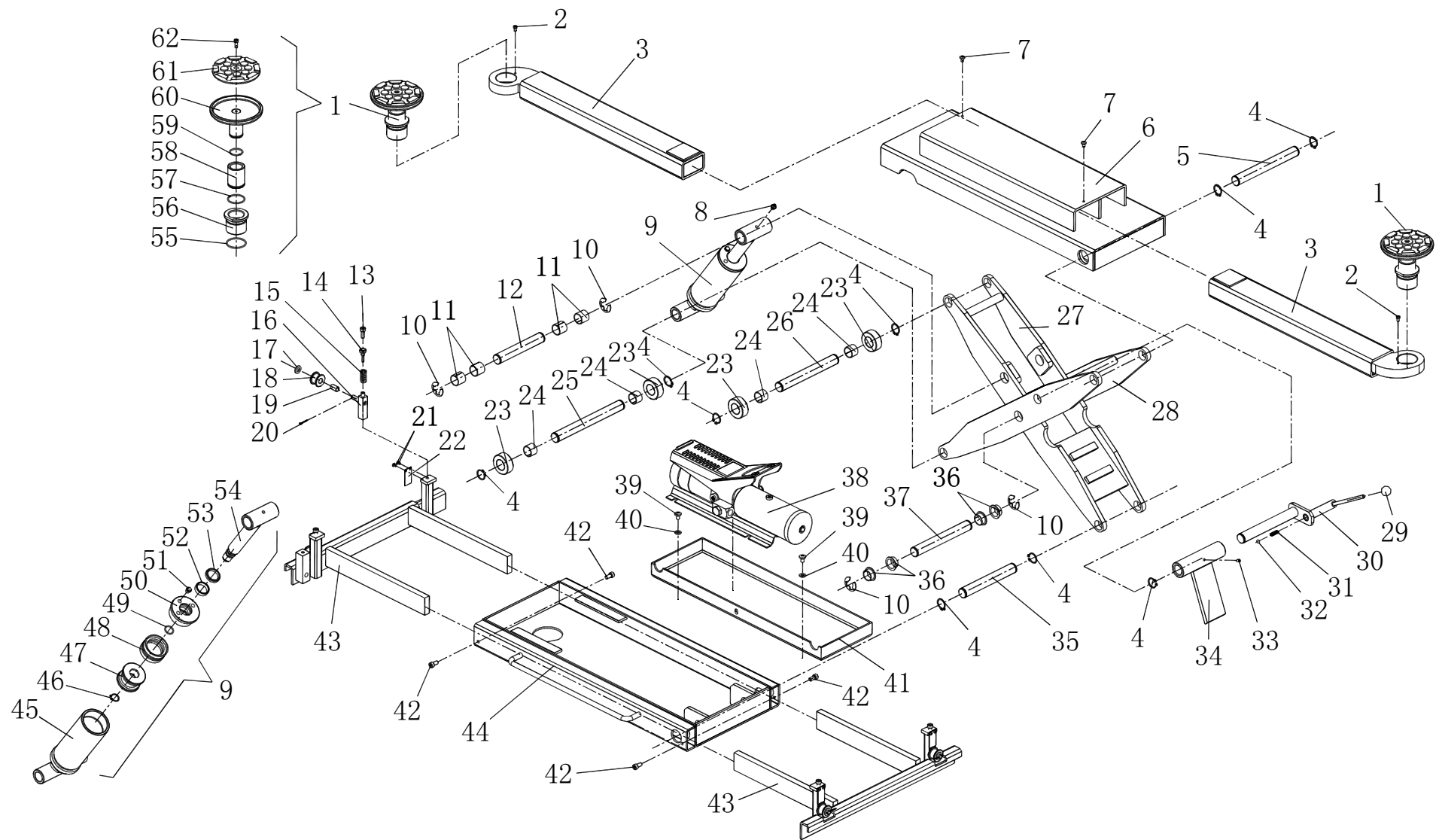


|         |                    |           |
|---------|--------------------|-----------|
| TAV.5.0 | P2 WHEEL FREE JACK | ED. 07/17 |
|---------|--------------------|-----------|

| ITEM | PART NO.       | DESCRIPTION                       | QTY | REMARK |
|------|----------------|-----------------------------------|-----|--------|
| 1    | 824-153000     | Inner scissor arm                 | 1   |        |
| 2    | 824-152000     | Outer scissor arm                 | 1   |        |
| 3    | 0210016        | Bush SF-1/3040                    | 2   |        |
| 4    | 8250-04-02-02  | Lower wheel                       | 2   |        |
| 5    | 8250-04-01-02  | Upper wheel                       | 2   |        |
| 6    | 0210057        | Bush SF-1/3035                    | 2   |        |
| 7    | 0209002        | Screw M6X10 - GB/T79              | 2   |        |
| 8    | 8250-04-01-01  | Upper shaft                       | 2   |        |
| 9    | 0204060        | Self-locking nut M25X1.5          | 2   |        |
| 10   | ZJJ3-04-01-09A | Spacer                            | 2   |        |
| 11   | 0210027        | Bush SF-1/3550                    | 4   |        |
| 12   | GJ300-400009   | Shim 2                            | 4   |        |
| 13   | 0210055        | Bush SF-1/3545                    | 2   |        |
| 14   | 824-04-01-08   | Central shaft                     | 2   |        |
| 15   | 0606032        | Rubber block 180X100X55           | 2   |        |
| 16   | 0606033        | Rubber block 115X100X55           | 2   |        |
| 17   | 824-05-00      | Lifting table                     | 1   |        |
| 18   | 0202024        | Screw M6X12 - GB/T70.1            | 2   |        |
| 19   | 824-05-9       | Table extension                   | 1   |        |
| 20   | 8250-07-02     | Upper safety rack                 | 1   |        |
| 21   | 0201173        | Screw M6X16 - GB/T12              | 1   |        |
| 22   | 0203004        | Nut M6 - GB52                     | 1   |        |
| 23   | 0306010        | Safety release air cylinder 32X23 | 1   |        |
| 24   | 0202010        | Screw M4X50 - GB/T70.1            | 4   |        |
| 25   | 0212022        | Seeger D.35                       | 2   |        |
| 26   | 0210028        | Bush SF-1/3560                    | 4   |        |
| 27   | 8250-07-01     | Cylinder upper shaft              | 1   |        |

|         |                    |           |
|---------|--------------------|-----------|
| TAV.5.0 | P2 WHEEL FREE JACK | ED. 07/17 |
|---------|--------------------|-----------|

|    |               |                                 |   |
|----|---------------|---------------------------------|---|
| 28 | 8250-07-03    | Lower safety rack               | 1 |
| 29 | 8250-06-01    | Cylinder lower shaft            | 1 |
| 30 | 0209025       | Screw M8X12 - GB/T79            | 6 |
| 31 | 0210013       | Bush SF-1/3024                  | 4 |
| 32 | 8250-04-02-08 | Shaft                           | 4 |
| 33 | J62BY30000    | P2 Jack hydraulic cylinder unit | 1 |
| 34 | J62BY31000    | P2 jack cylinder liner          | 1 |
| 35 | 0212007       | Seeger D.32                     | 1 |
| 36 | 0312019       | Gasket 95X75X22.4               | 1 |
| 37 | ZJJ40-02B     | P2 jacking cylinder piston      | 1 |
| 38 | 0309027       | O-ring 38X3.1                   | 1 |
| 39 | ZJJ40-04C     | P2 jacking cylinder shaft       | 1 |
| 40 | 0309045       | O-ring 95X3.1                   | 1 |
| 41 | ZJJ40-05C     | Cylinder guiding cover          | 1 |
| 42 | 0305006       | Guiding ring 50X25X2.5          | 1 |
| 43 | 0310015       | Seal 50X60X6                    | 1 |
| 44 | 0309082       | O-ring 55X3.1                   | 1 |
| 45 | 0311010       | Scraper 50X58X5/6.5             | 1 |
| 46 | 8250-06C      | Cylinder bracket                | 1 |



|         |              |           |
|---------|--------------|-----------|
| TAV.6.0 | JACKING BEAM | ED. 07/17 |
|---------|--------------|-----------|

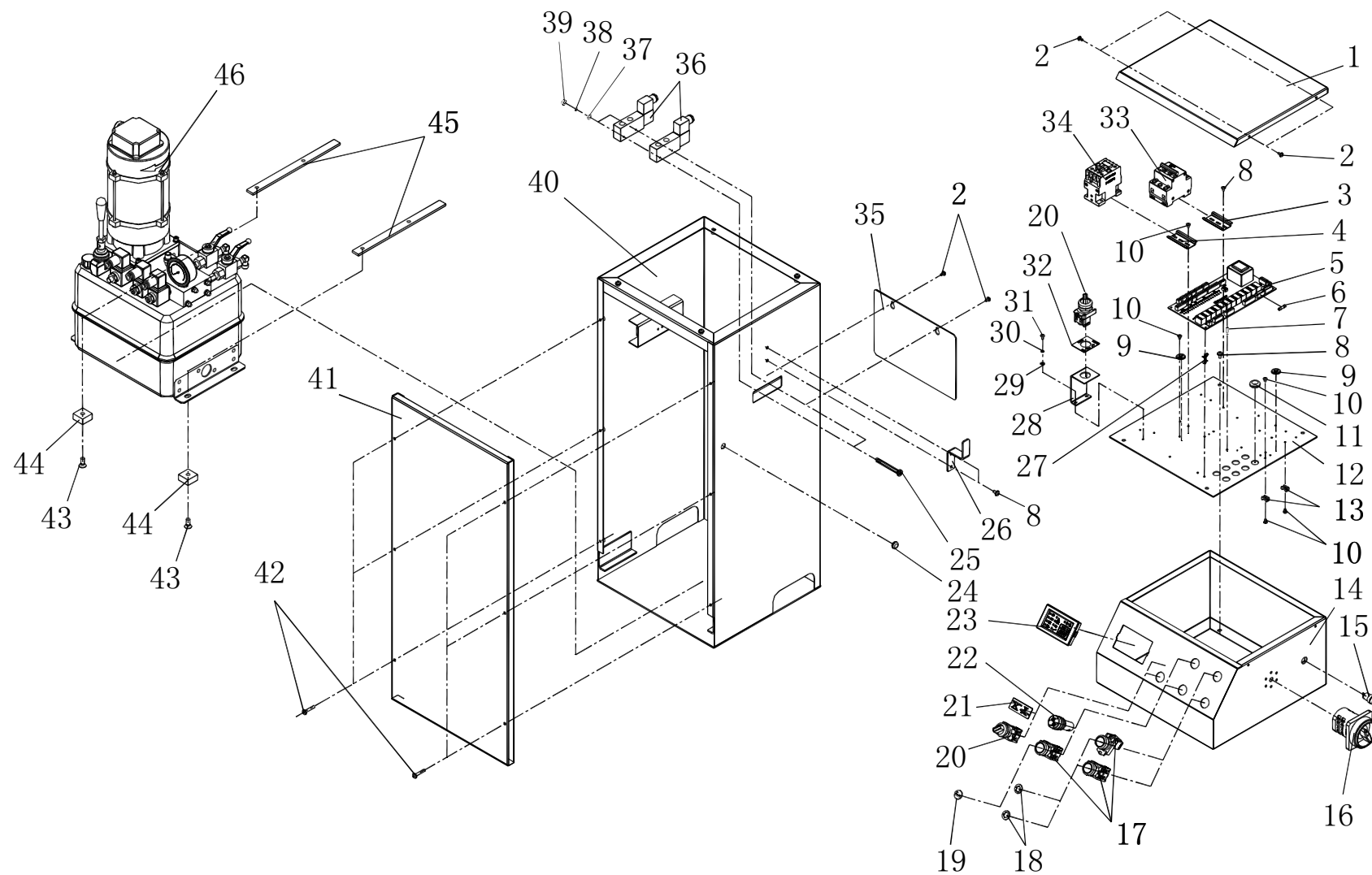
| ITEM | PART NO.   | DESCRIPTION                  | QTY | REMARK |
|------|------------|------------------------------|-----|--------|
| 1    | Z23A313000 | Lifting adaptor assembly     | 2   |        |
| 2    | 0202020    | Screw M5X8 - GB/T70.1        | 2   |        |
| 3    | J07K220000 | Lifting arm                  | 2   |        |
| 4    | 0212004    | Seeger D.25                  | 9   |        |
| 5    | HJ-RG-10-4 | Shaft                        | 1   |        |
| 6    | J07K210000 | Beam                         | 1   |        |
| 7    | 0206031    | Screw M6X10 - GB/T818        | 2   |        |
| 8    | 0215021    | Greaser 8X1                  | 1   |        |
| 9    | HJ-63-0    | Jack hydraulic cylinder unit | 1   |        |
| 10   | 0211003    | Seeger D.19                  | 4   |        |
| 11   | 0210009    | Bush SF-1/2525               | 4   |        |
| 12   | HJ-RG-19   | Cylinder upper shaft         | 1   |        |
| 13   | 0202045    | Screw 8X20 - GB/T70.1        | 4   |        |
| 14   | J07K180001 | Pin                          | 4   |        |
| 15   | HJ-RG-18   | Spring                       | 4   |        |
| 16   | J07K130000 | Slider                       | 4   |        |
| 17   | 0205011    | Washer D.10 - GB/T97.1       | 4   |        |
| 18   | HJ-RG-14   | Roller                       | 4   |        |
| 19   | 0210001    | Bush SF-1/1020               | 4   |        |
| 20   | 0213044    | Split pin 2X20               | 4   |        |
| 21   | 0206019    | Screw M4X6 - GB/T818         | 8   |        |
| 22   | J07K180002 | Anti-derailment plate        | 4   |        |
| 23   | HJ-RG-11-1 | Wheel                        | 4   |        |
| 24   | 0210008    | Bush SF-1/2520               | 4   |        |
| 25   | HJ-RG-10-5 | Cylinder lower shaft         | 1   |        |
| 26   | HJ-RG-10-3 | Shaft                        | 1   |        |
| 27   | J07K400000 | Inner scissor arm            | 1   |        |

|         |              |           |
|---------|--------------|-----------|
| TAV.6.0 | JACKING BEAM | ED. 07/17 |
|---------|--------------|-----------|

|    |              |                                |   |
|----|--------------|--------------------------------|---|
| 28 | J07K300000   | Outer scissor arm              | 1 |
| 29 | 0215016      | Handle knob M8X25              | 1 |
| 30 | HJ-RG-08-0   | Safety release handle          | 1 |
| 31 | HJ-SB-19-3   | Spring                         | 1 |
| 32 | 0215038      | Steel ball D.8                 | 1 |
| 33 | 0209010      | Screw M6X10 - GB/T78           | 1 |
| 34 | HJ-RG-09-0   | Safety hook                    | 1 |
| 35 | HJ-RG-10-1   | Shaft                          | 1 |
| 36 | 0210066      | Bush SF-1/2512F                | 4 |
| 37 | HJ-RG-10-2   | Central shaft                  | 1 |
| 38 | 0301038      | Air-hydraulic pedal pump 800CC | 1 |
| 39 | 0206001      | Screw M8X12 - GB/T818          | 2 |
| 40 | 0205008      | Washer D.8 - GB/T97.1          | 2 |
| 41 | 6740A-61101A | Pump tray                      | 1 |
| 42 | 0202040      | Screw M8X16 - GB/T70.1         | 4 |
| 43 | J07K120000   | Base extension                 | 2 |
| 44 | J07Q110000   | Jack base                      | 1 |
| 45 | HJ-63-1      | Jack cylinder liner            | 1 |
| 46 | 0212005      | Seeger D.20                    | 1 |
| 47 | 8240TX-63-2  | Jack cylinder piston           | 1 |
| 48 | 0312012      | Gasket 63X47X18.4              | 1 |
| 49 | 0309022      | O-ring 24X2.4                  | 1 |
| 50 | 8240TX-63-3  | Cylinder guiding cover         | 1 |
| 51 | 0306087      | Silencer 1/8                   | 1 |
| 52 | 0305007      | Guiding ring 30x10x2.5         | 1 |
| 53 | 0311005      | Scraper 30X38X5/6.5            | 1 |
| 54 | HJ-75-4      | Cylinder shaft                 | 1 |

|         |              |           |
|---------|--------------|-----------|
| TAV.6.0 | JACKING BEAM | ED. 07/17 |
|---------|--------------|-----------|

|    |            |                        |   |
|----|------------|------------------------|---|
| 55 | 0309091    | O-ring 45X2.65         | 2 |
| 56 | Z23A313002 | Outer threaded bush    | 2 |
| 57 | 0212034    | Seeger D.42            | 2 |
| 58 | Z23A313001 | Inner threaded bush    | 2 |
| 59 | 0212035    | Seeger D.32            | 2 |
| 60 | Z23A313100 | Pad support            | 2 |
| 61 | Z23A313202 | Rubber pad             | 2 |
| 62 | 0202032    | Screw M6X16 - GB/T70.1 | 2 |



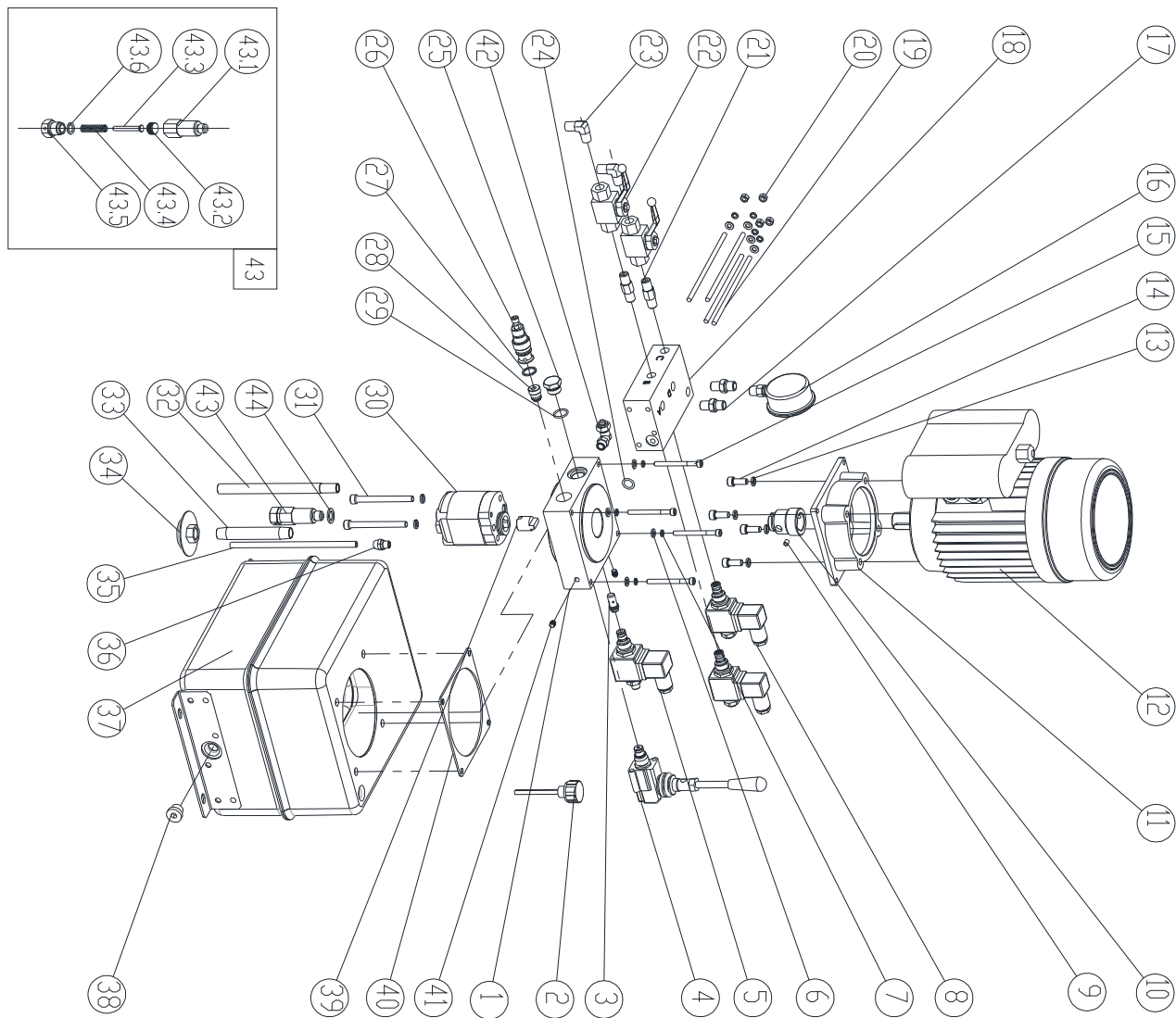


|         |              |           |
|---------|--------------|-----------|
| TAV.7.0 | CONTROL UNIT | ED. 07/17 |
|---------|--------------|-----------|

| ITEM | PART NO.   | DESCRIPTION              | QTY | REMARK |
|------|------------|--------------------------|-----|--------|
| 1    | J04A030002 | Top cover                | 1   |        |
| 2    | 0206059    | Screw M4X8               | 6   |        |
| 3    | 0508330    | Guide DZ47 L=80mm        | 1   |        |
| 4    | 0508330    | Guide DZ47 L=45mm        | 1   |        |
| 5    | 0507349    | CPU board 101.2          | 1   |        |
| 6    | 0504016    | FUSE 1A(5X20)            | 3   |        |
| 7    | 0204077    | Screw M3X12              | 2   |        |
| 8    | 0206058    | Screw M5X10              | 6   |        |
| 9    | 0510380    | Ground decal             | 2   |        |
| 10   | 0206019    | Screw M4X6-GB/T818       | 10  |        |
| 11   | 0508017    | Cable relief GM-2314     | 8   |        |
| 12   | J04A110001 | Support                  | 1   |        |
| 13   | 0508018    | Holder HC-1(Φ4)          | 2   |        |
| 14   | J04A113000 | Top box                  | 1   |        |
| 15   | 0502017    | Pushbutton LA16Y-11-Y    | 1   |        |
| 16   | 0505022    | Power switch HZ5-2-20A   | 1   |        |
| 17   | 0502024    | Pushbutton LAY37T-10     | 3   |        |
| 18   | 0510196    | Up decal                 | 2   |        |
| 19   | 0510196    | Safety lock decal        | 1   |        |
| 20   | 0502004    | Selector LAY37T-10X-2    | 2   |        |
| 21   | 0510379    | Main/jack selector decal | 1   |        |
| 22   | 0502021    | Beeper AD16-22SM         | 1   |        |
| 23   | 0507163    | Function display 502D    | 1   |        |
| 24   | 0508013    | Cable relief GM-1710     | 1   |        |
| 25   | 0206071    | Screw M3X60-GB/T818      | 2   |        |
| 26   | 3002002009 | Cable holder             | 1   |        |
| 27   | 0508302    | Holder HDB-16A           | 4   |        |

|         |              |           |
|---------|--------------|-----------|
| TAV.7.0 | CONTROL UNIT | ED. 07/17 |
|---------|--------------|-----------|

|     |            |                                     |   |              |
|-----|------------|-------------------------------------|---|--------------|
| 28  | 3054502200 | Support                             | 1 |              |
| 29  | 0205002    | Washer D.4-GB/T97.1                 | 2 |              |
| 30  | 0208002    | Washer D.4-GB/T93                   | 2 |              |
| 31  | 0206023    | Screw M4X8-GB/T818                  | 2 |              |
| 32  | 0510182    | Decal                               | 1 |              |
| 33a | 0501066    | Breaker DZ47-63/3P-D16A             | 1 | For 380V/3ph |
| 33b | 0501074    | Breaker DZ47-63/2P-D32A             | 1 | For 220V/1ph |
| 34  | 0501070    | AC contactor CJX2-1810(AC220V)      | 1 |              |
| 35  | 3054503904 | Back cover                          | 1 |              |
| 36  | 0306177    | Solenoid valve G1/4 3V210-08-AC220V | 2 |              |
| 37  | 0205001    | Washer D.3-GB/T97.1                 | 2 |              |
| 38  | 0208001    | Washer D.3-GB/T93                   | 2 |              |
| 39  | 0203001    | Nut M3-GB52                         | 2 |              |
| 40  | J04A031000 | Lower box                           | 1 |              |
| 41  | J04A030003 | Front cover                         | 1 |              |
| 42  | 0206028    | ScrewM5X25 - GT/T818                | 6 |              |
| 43  | 0207019    | Screw M8X20-GB/T819.1               | 4 |              |
| 44  | 3032084008 | Rubber pad                          | 4 |              |
| 45  | 3002005001 | Support                             | 2 |              |
| 46  | BZ-W4K1Y   | Hydraulic power unit                | 1 |              |

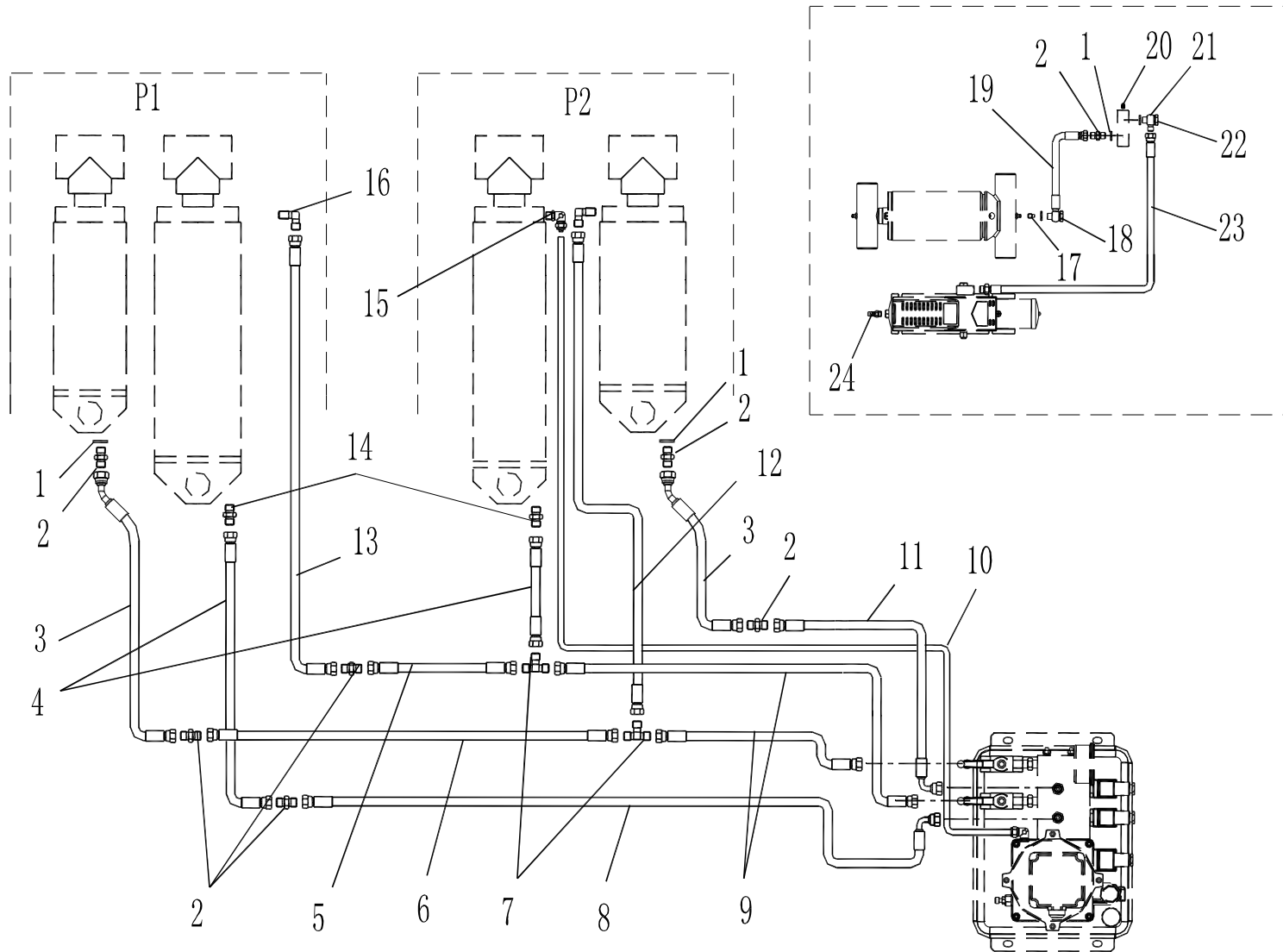


|          |                      |           |
|----------|----------------------|-----------|
| TAV.7.46 | HYDRAULIC POWER UNIT | ED. 07/17 |
|----------|----------------------|-----------|

| ITEM | PART NO. | DESCRIPTION                                   | QTY | REMARK |
|------|----------|---|-----|--------|
| 1    | BZ-ZB-W4 | Manifold                                      | 1   |        |
| 2    | 0305026  | Oil level plug 3/8                            | 1   |        |
| 3    | 0307006  | Lowering speed control valve BLF06-02-00/Φ2.5 | 1   |        |
| 4    | 0301034  | Manual pump QTHB-14                           | 1   |        |
| 5    | 0307049  | Lowering solenoid valve (AC220V)              | 1   |        |
| 6    | 0205006  | Washer D.6 - GB/T97.1                         | 8   |        |
| 7    | 0208005  | Spring washer D.6 - GB/T93                    | 8   |        |
| 8    | 0307043  | Solenoid valve (220V)                         | 2   |        |
| 9    | 0209042  | Screw M6X8 - GB/T80                           | 1   |        |
| 10   | BZ-ZT24  | Motor joint                                   | 1   |        |
| 11   | BZ-DJ-1B | Motor flange                                  | 1   |        |
| 12a  | 0509028  | Motor 380V/50Hz/3PH 3.5KW                     | 1   |        |
| 12b  | 0509071  | Motor 220V/50Hz/1PH 2.2KW                     | 1   |        |
| 12c  | 0509092  | Motor 220V/60Hz/1PH 2.2KW                     | 1   |        |
| 13   | 0208006  | Spring washer D.8 - GB/T93                    | 6   |        |
| 14   | 0202045  | Screw M8X20 - GB/T70.1                        | 4   |        |
| 15   | 0202036  | Screw M6X65 - GB/T70.1                        | 4   |        |
| 16   | 0305054  | Pressure gauge LA-60X400                      | 1   |        |
| 17   | 0303063  | Union 1/4 1BT-04SP                            | 2   |        |
| 18   | BZ-W-YK1 | Interface block                               | 1   |        |
| 19   | 0213032  | Double-screw bolt M6X160-GB/T901              | 4   |        |
| 20   | 0203004  | Nut M6-GB52                                   | 4   |        |
| 21   | 0303060  | Union 1T-04SPL                                | 2   |        |
| 22   | 0307041  | Leveling cutoff cock 1/4 BKH224-DN06-G1/4     | 2   |        |
| 23   | 0303002  | 90° union 1/4 1BT9-04SP                       | 2   |        |
| 24   | 0309019  | O-ring 18X2.4 - GB1235                        | 1   |        |
| 25   | BZ-SD-01 | Plug  | 1   |        |

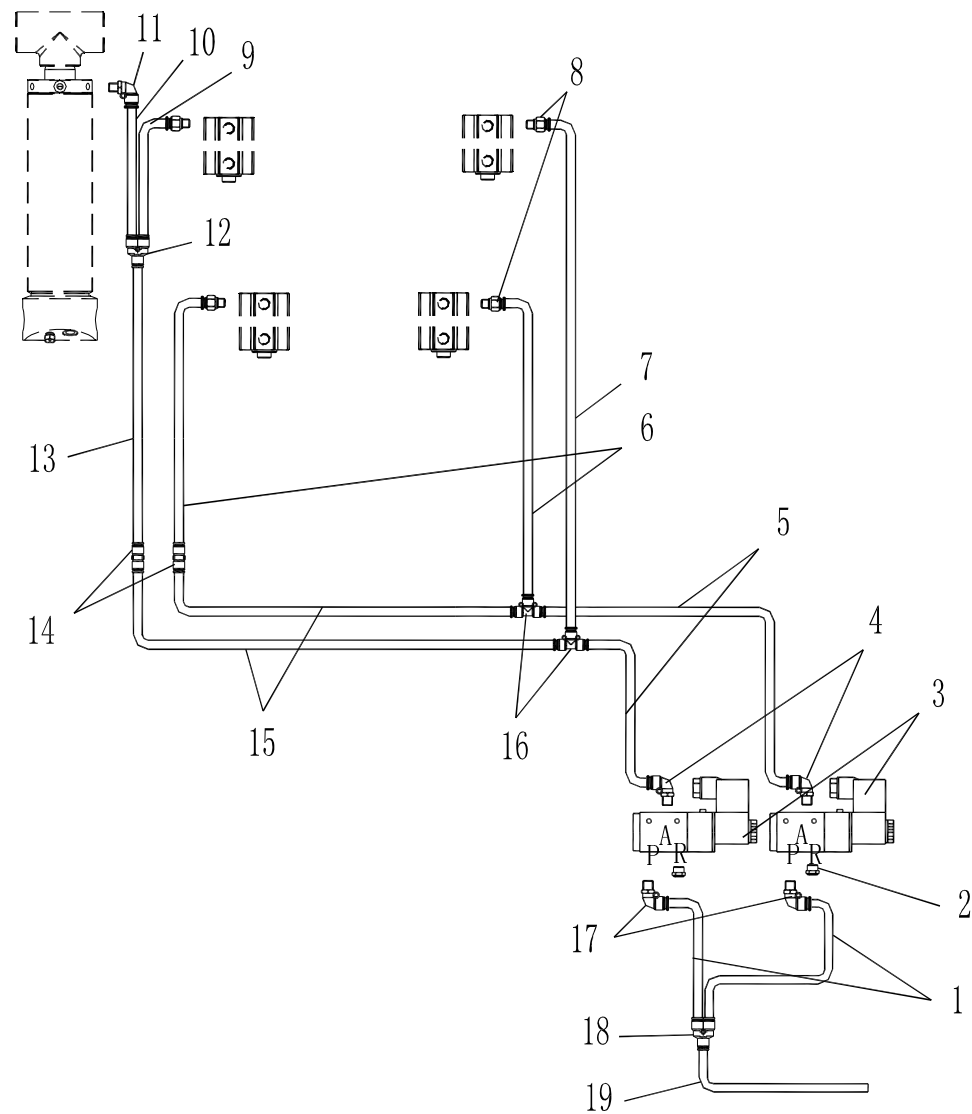
|          |                      |           |
|----------|----------------------|-----------|
| TAV.7.46 | HYDRAULIC POWER UNIT | ED. 07/17 |
|----------|----------------------|-----------|

|      |            |                                     |   |                    |
|------|------------|-------------------------------------|---|--------------------|
| 26   | 0307010    | Pressure overload valve FYF06-01-00 | 1 |                    |
| 27   | 0313057    | Copper washer 16X20                 | 1 |                    |
| 28   | 0307067    | Non return valve GDF-06-07-00       | 1 |                    |
| 29   | 0309054    | O-ring 17X2                         | 1 |                    |
| 30a  | 0301022    | Gear pump 4.8CC                     | 1 | For 3PH motor      |
| 30b  | 0301041    | Gear pump 1.6CC                     | 1 | For 1PH/50Hz motor |
| 30c  | 0301040    | Gear pump 1.3CC                     | 1 | For 1PH/60Hz motor |
| 31   | 0202052    | Screw M8X85 - GB/T70.1              | 2 |                    |
| 32   | BZ-G14X200 | Oil return pipe                     | 1 |                    |
| 33   | BZ-G18X110 | Oil suction pipe                    | 1 |                    |
| 34   | 0305010    | Oil filter ZG3/8" ZF-08             | 1 |                    |
| 35   | 0306097    | Rilsan hose 8X5 L=190               | 1 |                    |
| 36   | 0306069    | Rotation union 8-1/8                | 1 |                    |
| 37   | HK2-0200   | Oil tank                            | 1 |                    |
| 38   | 0305018    | Plug 4BN-06WD G3/8                  | 1 |                    |
| 39   | BZ-BJ25    | Pump joint                          | 1 |                    |
| 40   | BZ-F-01    | Gasket                              | 1 |                    |
| 41   | 0305001    | Plug ZBJ22 007-QD07                 | 2 |                    |
| 42   | 0306067    | Union $\Phi$ 10 ZG1-4               | 1 |                    |
| 43   | BZ-HC2-0   | Startup valve                       | 1 | For 1PH motor      |
| 43.1 | BZ-HC2-1   | Valve body                          | 1 | For 1PH motor      |
| 43.2 | BZ-HC-2    | Valve piston                        | 1 | For 1PH motor      |
| 43.3 | BZ-HC2-3   | Valve pin                           | 1 | For 1PH motor      |
| 43.4 | BZ-HC2-4   | Spring                              | 1 | For 1PH motor      |
| 43.5 | BZ-HC2-5   | Valve back cover                    | 1 | For 1PH motor      |
| 43.6 | BZ-HC-6    | Seal $\Phi$ 16X $\Phi$ 9X2.5        | 1 | For 1PH motor      |
| 44   | 0313001    | Washer BS/A13.70                    | 1 | For 1PH motor      |



|         |                     |           |
|---------|---------------------|-----------|
| TAV.8.1 | HYDRAULIC PIPE LINE | ED. 07/17 |
|---------|---------------------|-----------|

| ITEM | PART NO.     | DESCRIPTION                     | QTY | REMARK |
|------|--------------|---------------------------------|-----|--------|
| 1    | 0313001      | Washer 1/4                      | 8   |        |
| 2    | 0303065      | Union 1/4                       | 7   |        |
| 3    | ZX5900       | Hydraulic hose L=5900           | 2   |        |
| 4    | ZZ370        | Hydraulic hose L=370            | 2   |        |
| 5    | ZZ1400       | Hydraulic hose L=1400           | 1   |        |
| 6    | ZZ1800       | Hydraulic hose L=1800           | 1   |        |
| 7    | 0303021      | Tee union 1/4                   | 2   |        |
| 8    | ZW5430       | Hydraulic hose L=5430           | 1   |        |
| 9    | ZZ3600       | Hydraulic hose L=3600           | 2   |        |
| 10   | 0306109      | Rilsanholes 10X6.5X4900         | 1   |        |
| 11   | ZW3700       | Hydraulic hose L=3700           | 1   |        |
| 12   | ZZ6250       | Hydraulic hose L=6250           | 1   |        |
| 13   | ZZ1250       | Hydraulic hose L=1250           | 1   |        |
| 14   | 0303063      | Union 1/4                       | 2   |        |
| 15   | 0306067      | 90 degree rotation union 10-1/4 | 1   |        |
| 16   | 0303002      | 90 degree rotation union 1/4    | 2   |        |
| 17   | BZ-GZ-002    | Fluid restrictor                | 1   |        |
| 18   | BZ-720B-0401 | Banjo bolt                      | 1   |        |
| 19   | ZJ380        | Hydraulic hose L=380            | 1   |        |
| 20   | 0305001      | Plug                            | 1   |        |
| 21   | 0303030      | Banjo union 1/4                 | 1   |        |
| 22   | 0303027      | Banjo bolt                      | 1   |        |
| 23   | ZY900        | Hydraulic hose L=900            | 1   |        |
| 24   | 0306112      | Quick union 8-1/4               | 1   |        |





|         |                     |           |
|---------|---------------------|-----------|
| TAV.8.2 | PNEUMATIC PIPE LINE | ED. 07/17 |
|---------|---------------------|-----------|

| ITEM | PART NO. | DESCRIPTION                         | QTY | REMARK |
|------|----------|-------------------------------------|-----|--------|
| 1    | 0306097  | Rilsan hose 8X5X120B                | 2   |        |
| 2    | 0306086  | Silencer 1/4                        | 2   |        |
| 3    | 0306190  | Safety release solenoid valve DC24V | 2   |        |
| 4    | 0306047  | 90 degree quick union6-1/4          | 2   |        |
| 5    | 0306095  | Rilsan hose 6X4X4200                | 2   |        |
| 6    | 0306095  | Rilsan hose 6X4X3200                | 2   |        |
| 7    | 0306095  | Rilsan hose 6X4X6100                | 1   |        |
| 8    | 0306046  | Quick union6-1/8                    | 4   |        |
| 9    | 0306095  | Rilsan hose 6X4X300                 | 1   |        |
| 10   | 0306095  | Rilsan hose 6X4X600                 | 1   |        |
| 11   | 0306040  | 90 degree quick union 6 -1/8        | 1   |        |
| 12   | 0306158  | Y union 6                           | 1   |        |
| 13   | 0306095  | Rilsan hose 6X4X5800                | 1   |        |
| 14   | 0306041  | Quick union 6                       | 2   |        |
| 15   | 0306095  | Rilsan hose 6X4X2200                | 2   |        |
| 16   | 0306025  | Tee quick union 6                   | 2   |        |
| 17   | 0306032  | 90 degree quick union 8-1/4         | 2   |        |
| 18   | 0306002  | Y quick union 8                     | 1   |        |
| 19   | 0306097  | Rilsan hose 8X5X2000                | 1   |        |