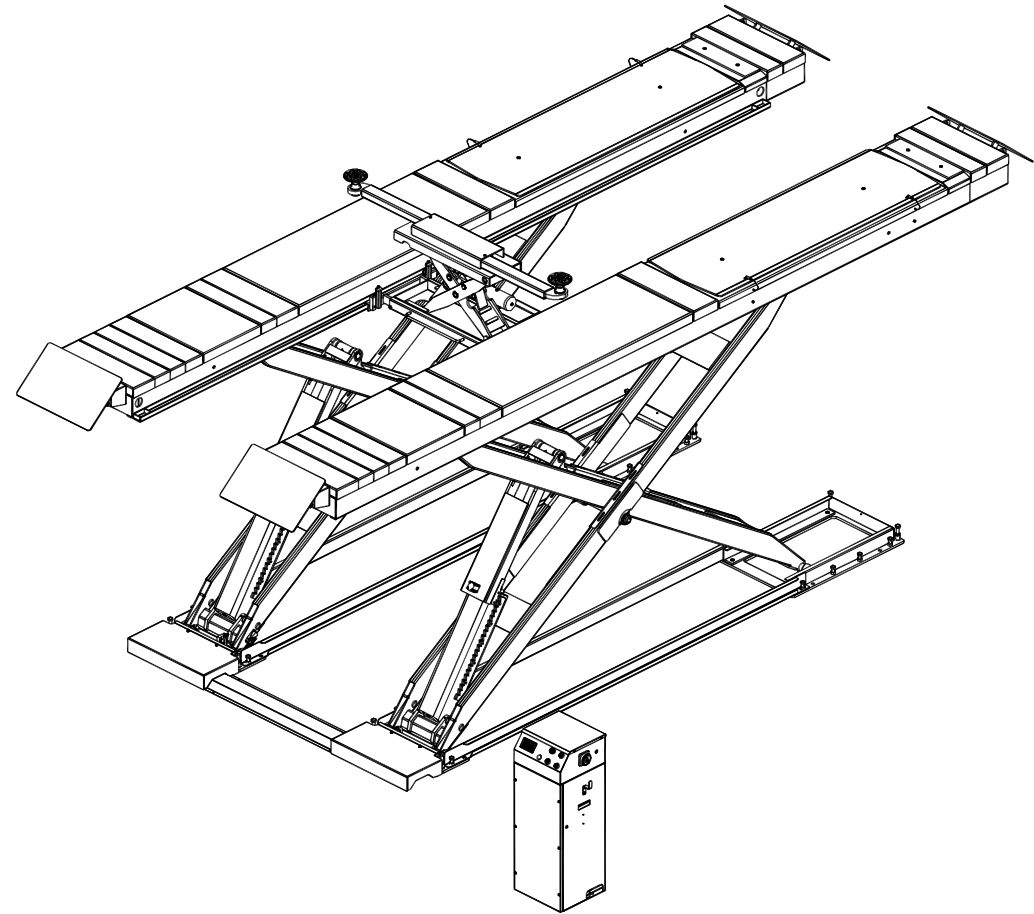
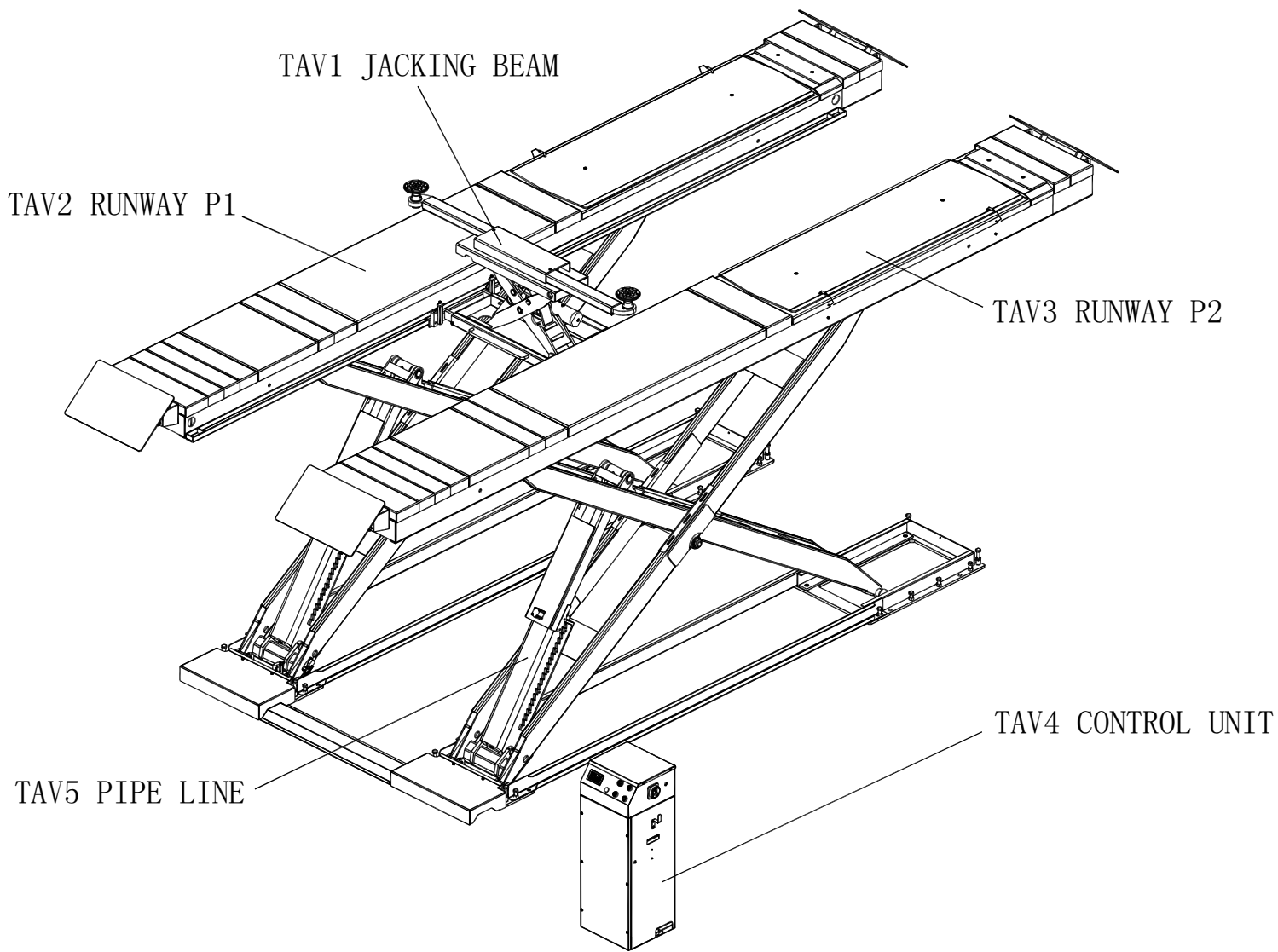


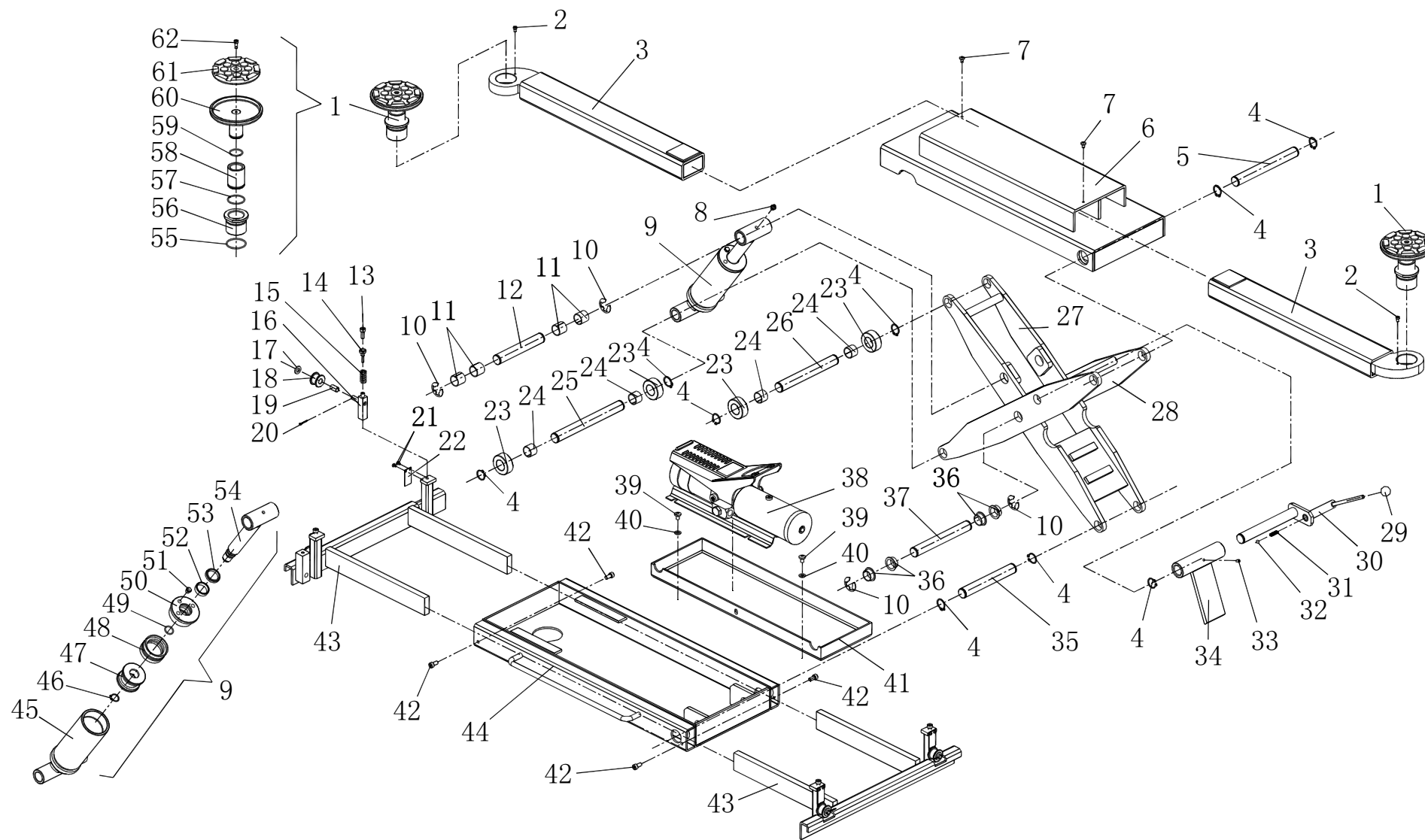


ED. 07/2017

PART CATALOGUE
STD-8350DX
SCISSOR LIFT







TAV.1	JACKING BEAM	ED. 07/17
-------	--------------	-----------

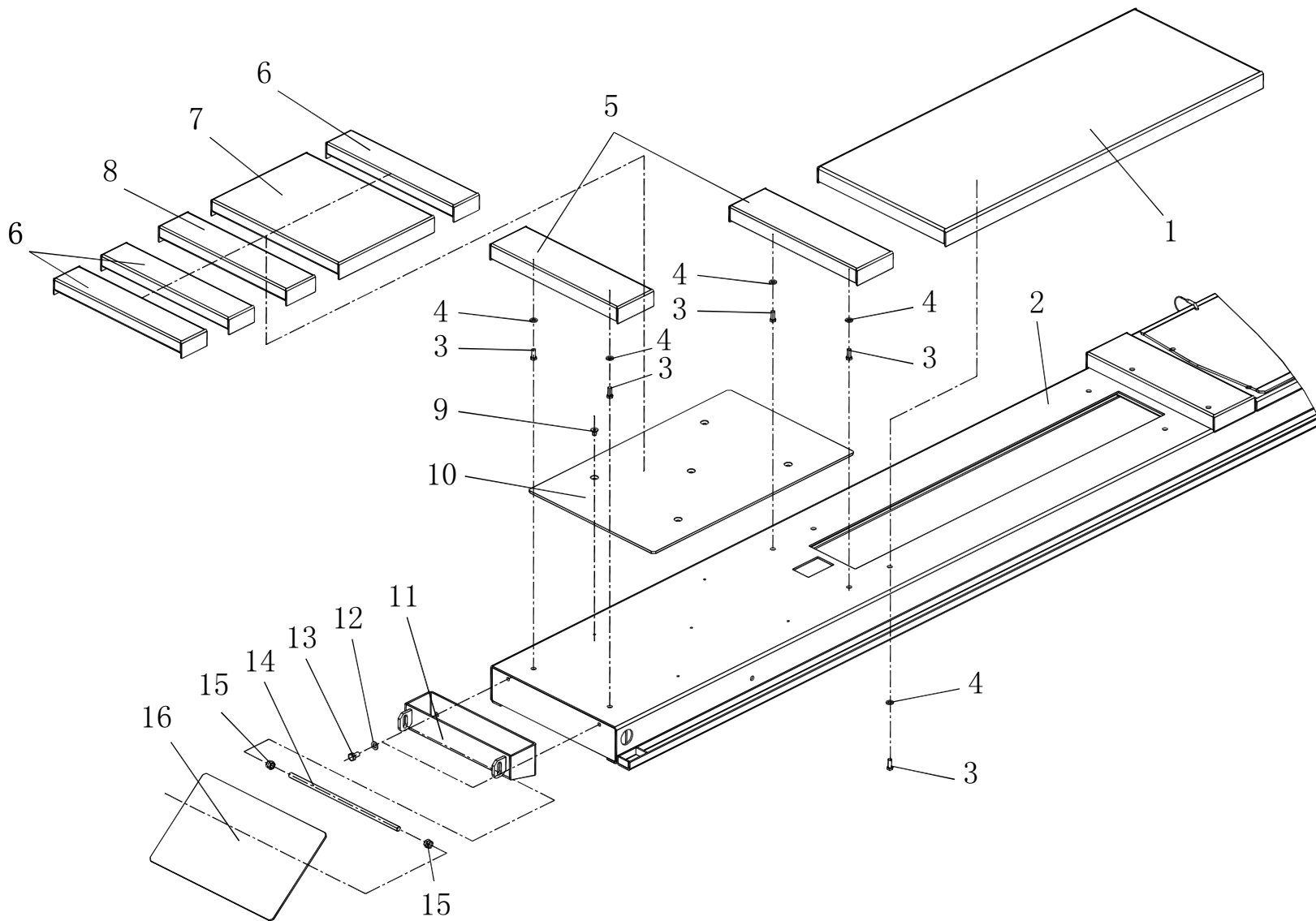
ITEM	PART NO.	DESCRIPTION	QTY	REMARK
1	Z23A313000	Lifting adaptor assembly	2	
2	0202020	Screw M5X8 - GB/T70.1	2	
3	J07K220000	Lifting arm	2	
4	0212004	Seeger D.25 - GB/T894.1	9	
5	HJ-RG-10-4	Shaft	1	
6	J07K210000	Beam	1	
7	0206031	Screw M6X10 - GB/T818	2	
8	0215021	Greaser 8X1	1	
9	HJ-63-0	Jack hydraulic cylinder unit	1	
10	0211003	Seeger D.19 - GB/T896	4	
11	0210009	Bush SF-1/2525	4	
12	HJ-RG-19	Cylinder upper shaft	1	
13	0202045	Screw M8X20 - GB/T70.1	4	
14	J07K180001	Pin	4	
15	HJ-RG-18	Spring	4	
16	J07K130000	Slider	4	
17	0205011	Washer D.10 - GB/T97.1	4	
18	HJ-RG-14	Roller	4	
19	0210001	Bush SF-1/1020	4	
20	0213044	Split pin 2X20 - GB/T91	4	
21	0206019	Screw M4X6 - GB/T818	8	
22	J07K180002	Anti-derailment plate	4	
23	HJ-RG-11-1	Wheel	4	
24	0210008	Bush SF-1/2520	4	
25	HJ-RG-10-5	Cylinder lower shaft	1	
26	HJ-RG-10-3	Shaft	1	
27	J07K400000	Inner scissor arm	1	

TAV.1	JACKING BEAM	ED. 07/17
-------	--------------	-----------

28	J07K300000	Outer scissor arm	1
29	0215016	Handle knob M8X25 - GB/T727.1	1
30	HJ-RG-08-0	Safety release handle	1
31	HJ-SB-19-3	Spring	1
32	0215038	Steel ball D.8	1
33	0209010	Screw M6X10 - GB/T78	1
34	HJ-RG-09-0	Safety hook	1
35	HJ-RG-10-1	Shaft	1
36	0210066	Bush SF-1/2512F	4
37	HJ-RG-10-2	Central shaft	1
38	0301038	Air-hydraulic pedal pump 800CC	1
39	0206001	Screw M8X12 - GB/T818	2
40	0205008	Washer D.8 - GB/T97.1	2
41	6740A-61101A	Pump tray	1
42	0202040	Screw M8X16 - GB/T70.1	4
43	J07K120000	Base extension	2
44	J07Q110000	Jack base	1
45	HJ-63-1	Jack cylinder liner	1
46	0212005	Seeger D.20	1
47	8240TX-63-2	Jack cylinder piston	1
48	0312012	Gasket 63X47X18.4	1
49	0309022	O-ring 24X2.4	1
50	8240TX-63-3	Cylinder guiding cover	1
51	0306087	Silencer 1/8	1
52	0305007	Guiding ring 30x10x2.5	1
53	0311005	Scraper 30X38X5/6.5	1
54	HJ-75-4	Cylinder shaft	1

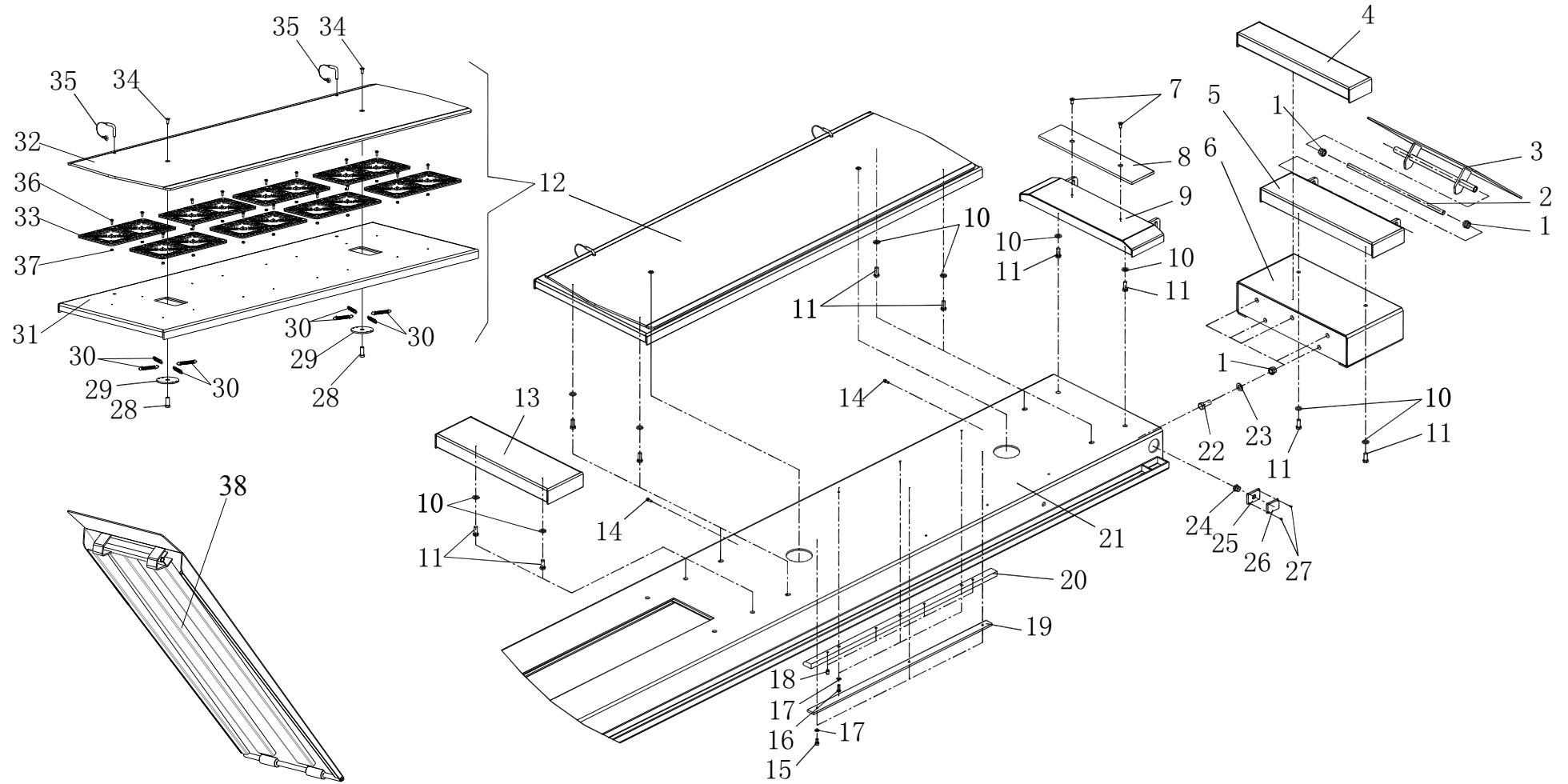
TAV.1	JACKING BEAM	ED. 07/17
-------	--------------	-----------

55	0309091	O-ring 45X2.65	2
56	Z23A313002	Outer threaded bush	2
57	0212034	Seeger D.42	2
58	Z23A313001	Inner threaded bush	2
59	0212035	Seeger D.32	2
60	Z23A313100	Pad support	2
61	Z23A313202	Rubber pad	2
62	0202032	Screw M6X16 - GB/T70.1	2



TAV.2.1.1	PLATFORM – P1	ED. 07/17
-----------	---------------	-----------

ITEM	PART NO.	DESCRIPTION	QTY	REMARK
1	824TX-143000	Cover	1	
2	J62C141000	P1 Platform	1	
3	0201074	Screw M12X30 - GB/T5781	8	
4	0205013	Washer D.12 - GB/T97.1	8	
5	8240B4-03150A	Spacer	2	
6	8240C4-031501	Removable spacer	3	
7	8200TY-800002	Turntable recess cover	1	
8	8200TY-800006	Removable spacer	1	
9	0207036	Screw M8X20 - GB/T70.3	5	
10	8240B4-000812	Turntable leveling baseplate	1	
11	824-000100	Front ramp support	1	
12	0205017	Washer D.14 - GB/T97.1	2	
13	0201085	Screw M14X25 - GB/T5781	2	
14	8200B6-800012	Ramp shaft	1	
15	0204008	Self-locking nut M16	2	
16	8200TX-007100	Short ramp	1	

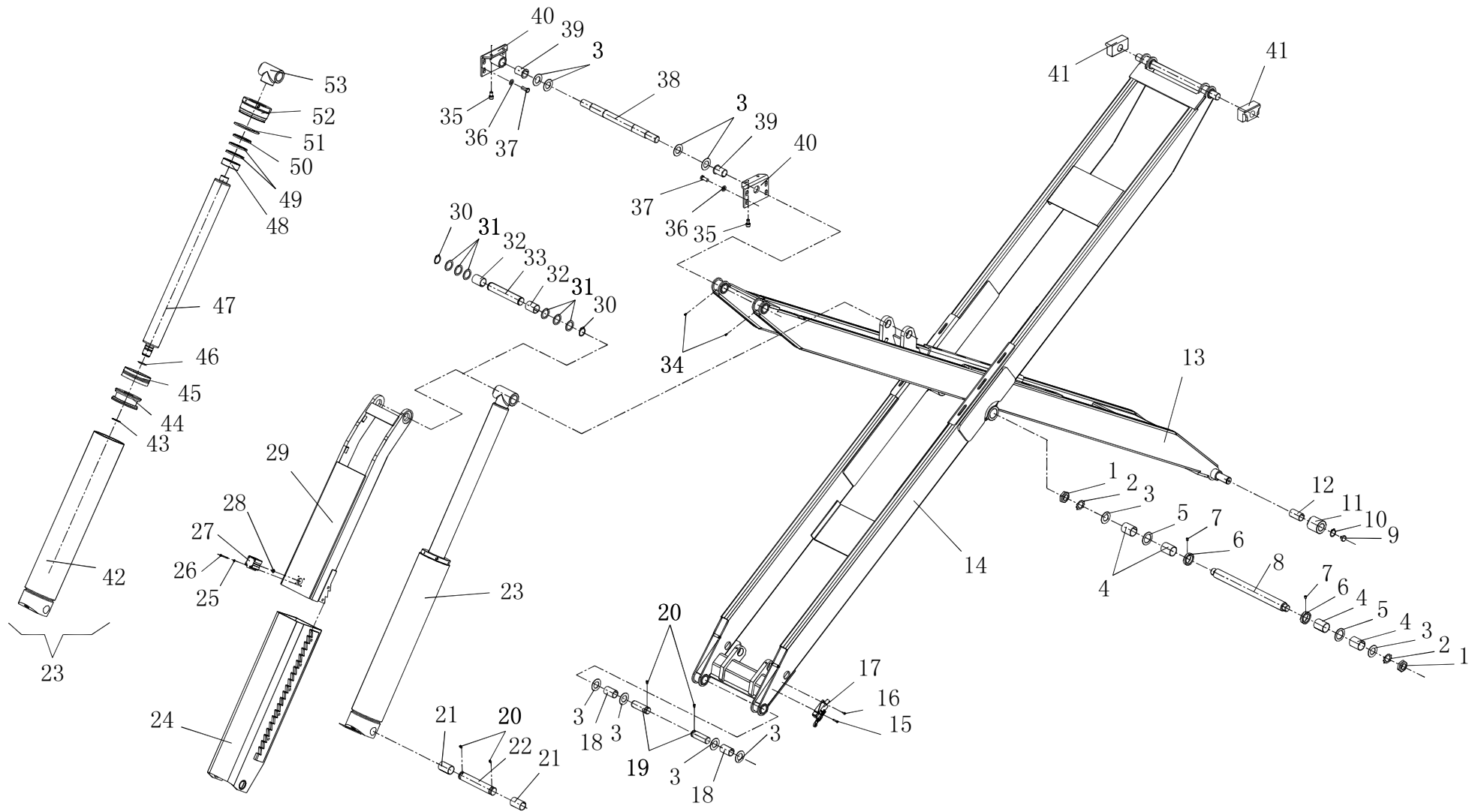


TAV.2.1.2	PLATFORM – P1	ED. 07/17
-----------	---------------	-----------

ITEM	PART NO.	DESCRIPTION	QTY	REMARK
1	0204008	Self-locking nut M16	7	
2	8200B6-800012	Ramp shaft	1	
3	8200TX-007100	Short ramp	1	
4	825D-810001	Spacer	1	
5	8200B4-031500	Spacer	1	
6	J62B810100	Rear extension	1	optional
7	0207036	Screw M8X20 - GB/T70.3	2	
8	825D-000001	Spacer	1	
9	825D-140100	Spacer	1	
10	0205013	Washer D.12 - GB/T97.1	8	
11	0201074	Screw M12X30 - GB/T5781	8	
12	J62B142000	P1 rear slipping plate unit	1	
13	J62B140100	Spacer	1	
14	0202032	Screw M6X16 - GB/T70.1	2	
15	0202040	Screw M8X16 - GB/T70.1	6	
16	0206037	Screw M8X25 - GB/T70.2	6	
17	0205008	Washer D.8 - GB/T97.1	12	
18	0209028	Screw M10X16 - GB/T79	8	
19	824-140007	Guide fastening plate	2	
20	824-140006	Upper guide	2	
21	J62B141000	P1 platform	1	
22	0201130	Screw M16X40 - GB/T5783	5	
23	0205020	Washer GB/T97.1/16	5	
24	8250-000085	Bolt	1	
25	8250-000083	Reflector baseplate	1	
26	DQ00001	Reflector	1	
27	0206009	Screw M3X6 - GB/T818	2	

TAV.2.1.2	PLATFORM – P1	ED. 07/17
-----------	---------------	-----------

28	824B-142003	Bolt	2	
29	824EH000382	Spring cradle	2	
30	XSZ-6-1	Spring	8	
31	J62B145100	P1 roller gasket	1	
32	J62B242001	P1 slipping plate	1	
33	J63A332000	Slipping support	8	
34	0207036	Screw M8X20 - GB/T70.3	2	
35	824B-142200	Stop pin	2	
36	0206032	Screw M6X16 - GB/T818	16	
37	0203004	Nut M6 - GB/T52	16	
38	J62B400000	Long ramp for on-ground installation	1	optional

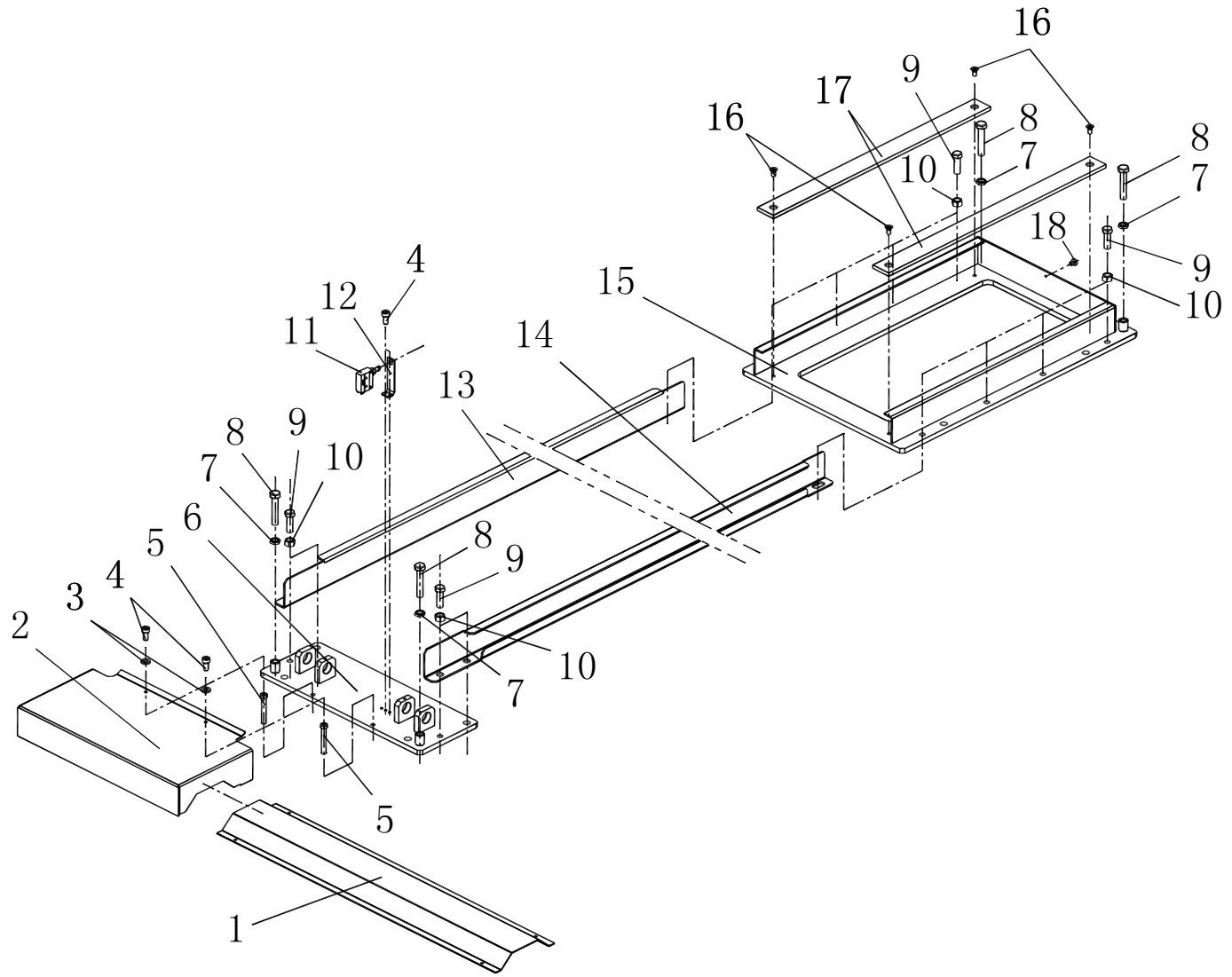


TAV.2.2	LIFTING SYSTEM – P1	ED. 07/17
---------	---------------------	-----------

ITEM	PART NO.	DESCRIPTION	QTY	REMARK
1	0204015	Nut M30 - GB/T6172.1	2	
2	0205025	Teethed washer D.30	2	
3	ZJJ3-17	Shim	10	
4	0210080	Bush SF-1/4055	4	
5	8250-18	Shim	2	
6	8250-02-26	Spacer	2	
7	0209012	Screw M8X12 - GB/T78	2	
8	824-100004	Central shaft	1	
9	ZJJ3-02-01-08	Nylon plug	2	
10	0212021	Seeger D.30	2	
11	8240B-02-02-16	Lower wheel	2	
12	0210046	Bush SF-1/3060	2	
13	J62B120000	Inner scissor arm	1	
14	J62B130000	Outer scissor arm	1	
15	0206017	Screw M4X25 - GB/T818	1	
16	0206013	Screw M4X12 - GB/T818	1	
17	0505018	Safety height limit switch 8108	1	
18	0210018	Bush SF-1/3055	2	
19	824-100003	Lower shaft	2	
20	0209025	Screw M8X12 - GB/T79	4	
21	0210028	Bush SF-1/3560	2	
22	J62B100001	Cylinder lower shaft	1	
23	J62BY10000	Master hydraulic cylinder unit	1	
24	J62B182000	P2 lower safety rack	1	
25	0205002	Washer D.4- GB/T97.1	4	
26	0202010	Screw M4X50 - GB/T70.1	4	
27	0306010	Safety release air cylinder 32X23	1	

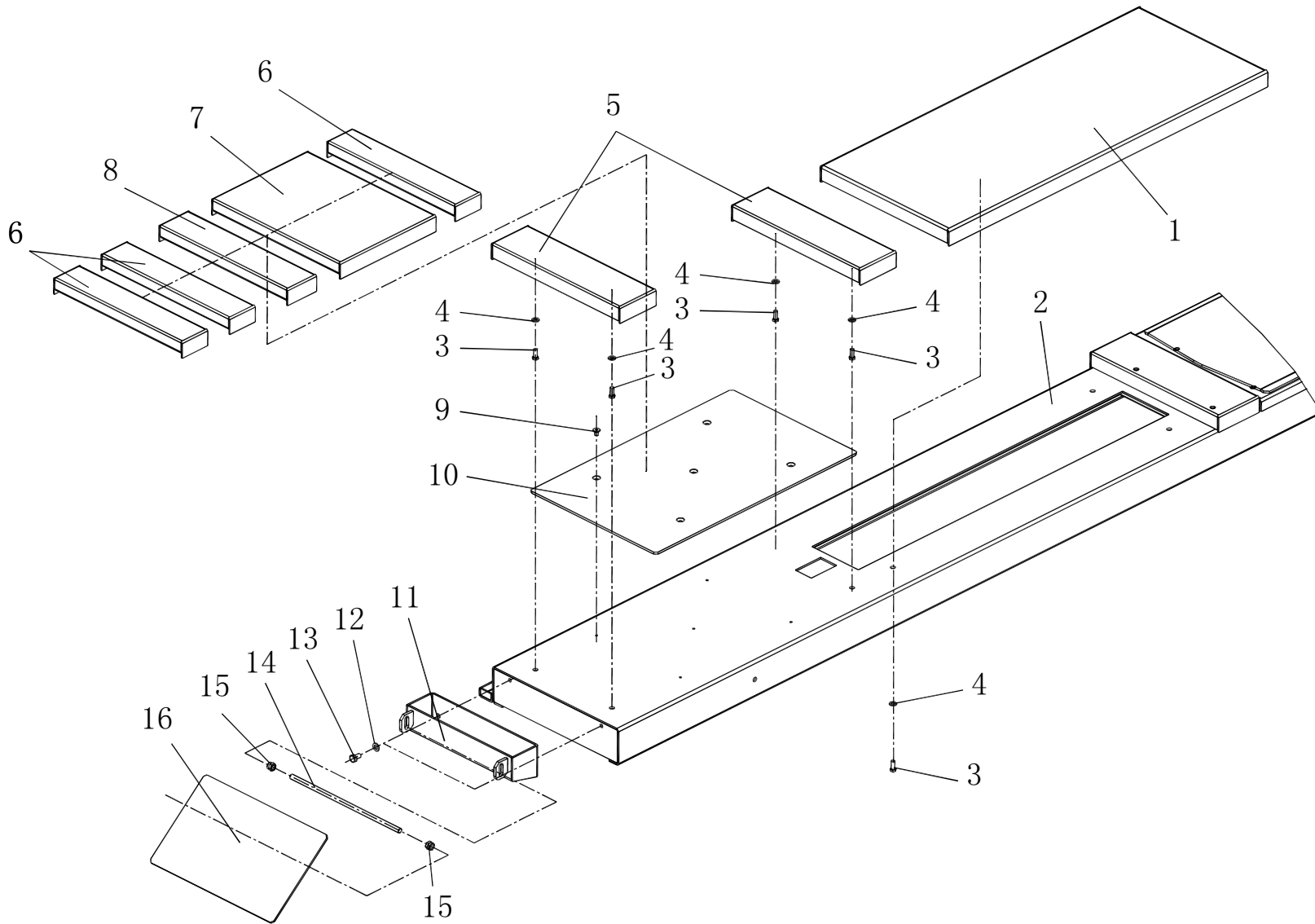
TAV.2.2	LIFTING SYSTEM – P1	ED. 07/17
---------	---------------------	-----------

28	0511228	Screw M8X10	1
29	J62B181000	Upper safety rack	1
30	0212022	Seeger D.35	2
31	GJ300-400009	Shim 2	6
32	0210027	Bush SF-1/3550	2
33	J62B100002	Cylinder upper shaft	1
34	0209010	Screw M6X10 - GB/T78	2
35	0202070	Screw M12X20 - GB/T70.1	4
36	0205013	Washer D.12 - GB/T97.1	8
37	0201074	Screw M12X30 - GB/T5781	8
38	824-100005	Upper shaft	1
39	0210075	Bush SF-1/3050F	2
40	824-170000	Leveling bracket	2
41	824-100001G	Nylon slider	2
42	J62BY11000	Master cylinder liner	1
43	0212007	Seeger D.32	1
44	J62BY18001	Master cylinder piston	1
45	0312003	Gasket 100X75X22.4	1
46	0309027	O-ring 38X3.1	1
47	J62BY18003	Master cylinder shaft	1
48	0305006	Guiding ring 50X25X2.5	1
49	0310034	Seal 75X85X7	2
50	0311024	Scraper 75X85X6/8	1
51	0309111	O-ring 115X5.3	1
52	J62BY10000	Master hydraulic cylinder unit	1
53	8250-120-06	Cylinder bracket	1



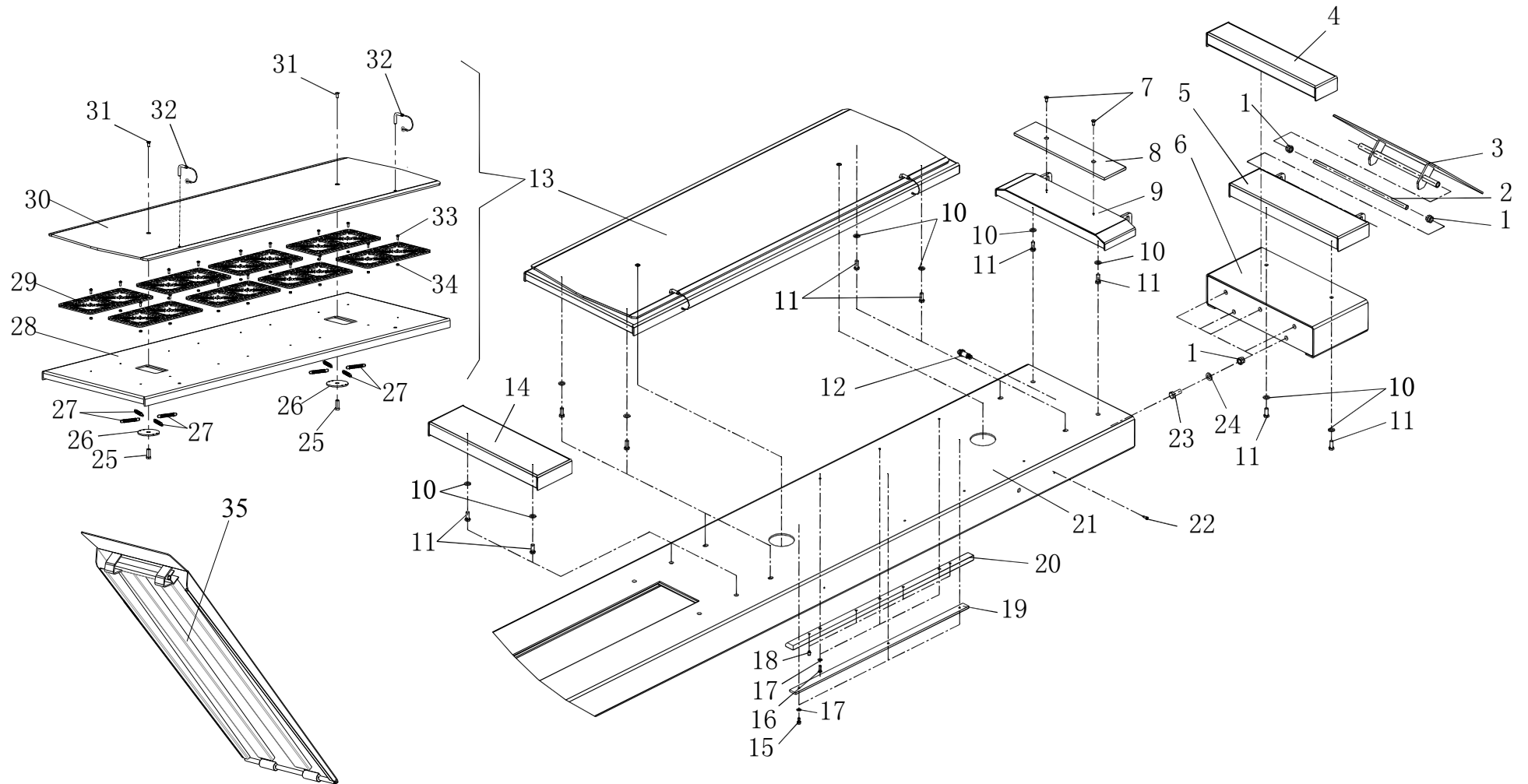
TAV.2.3	BASE – P1	ED. 07/17
---------	-----------	-----------

ITEM	PART NO.	DESCRIPTION	QTY	REMARK
1	8240TX-000862	Front hose cover	1	
2	824-000001	Base hose cover	1	
3	0205006	Washer D.6 - GB/T97.1	2	
4	0202024	Screw M6X12 - GB/T70.1	4	
5	824-000002	Bolt	2	
6	824-111000	Front base	1	
7	0204032	Nut M16 - GB/T6172.1	4	
8	0201180	Screw M16X85 - GB/T5780	4	
9	0201103	Screw M16X50 - GB/T5781	10	
10	0203025	Nut M16 - GB/T6170	10	
11	0505017	Top limit switch 7311	1	
12	CJS30-01-04	Switch support	1	
13	J62B110002	Base connection plate 2	1	
14	J62B110001	Base connection plate 1	1	
15	824-112000	Rear base	1	
16	0207022	Screw M10X20 - GB/T819.1	4	
17	824-110001	Lower wheel guide	2	
18	0206036	Screw M6X8 - GB/T818	1	



TAV.3.1.1	PLATFORM – P2	ED. 07/17
-----------	---------------	-----------

ITEM	PART NO.	DESCRIPTION	QTY	REMARK
1	824TX-143000	Cover	1	
2	J62C241000	P2 Platform	1	
3	0201074	Screw M12X30 - GB/T5781	8	
4	0205013	Washer D.12 - GB/T97.1	8	
5	8240B4-03150A	Spacer	2	
6	8240C4-031501	Removable spacer	3	
7	8200TY-800002	Turntable recess cover	1	
8	8200TY-800006	Removable spacer	1	
9	0207036	Screw M8X20 - GB/T70.3	5	
10	8240B4-000812	Turntable leveling baseplate	1	
11	824-000100	Front ramp support	1	
12	0205017	Washer D.14 - GB/T97.1	2	
13	0201085	Screw M14X25 - GB/T5781	2	
14	8200B6-800012	Ramp shaft	1	
15	0204008	Self-locking nut M16	2	
16	8200TX-007100	Short ramp	1	

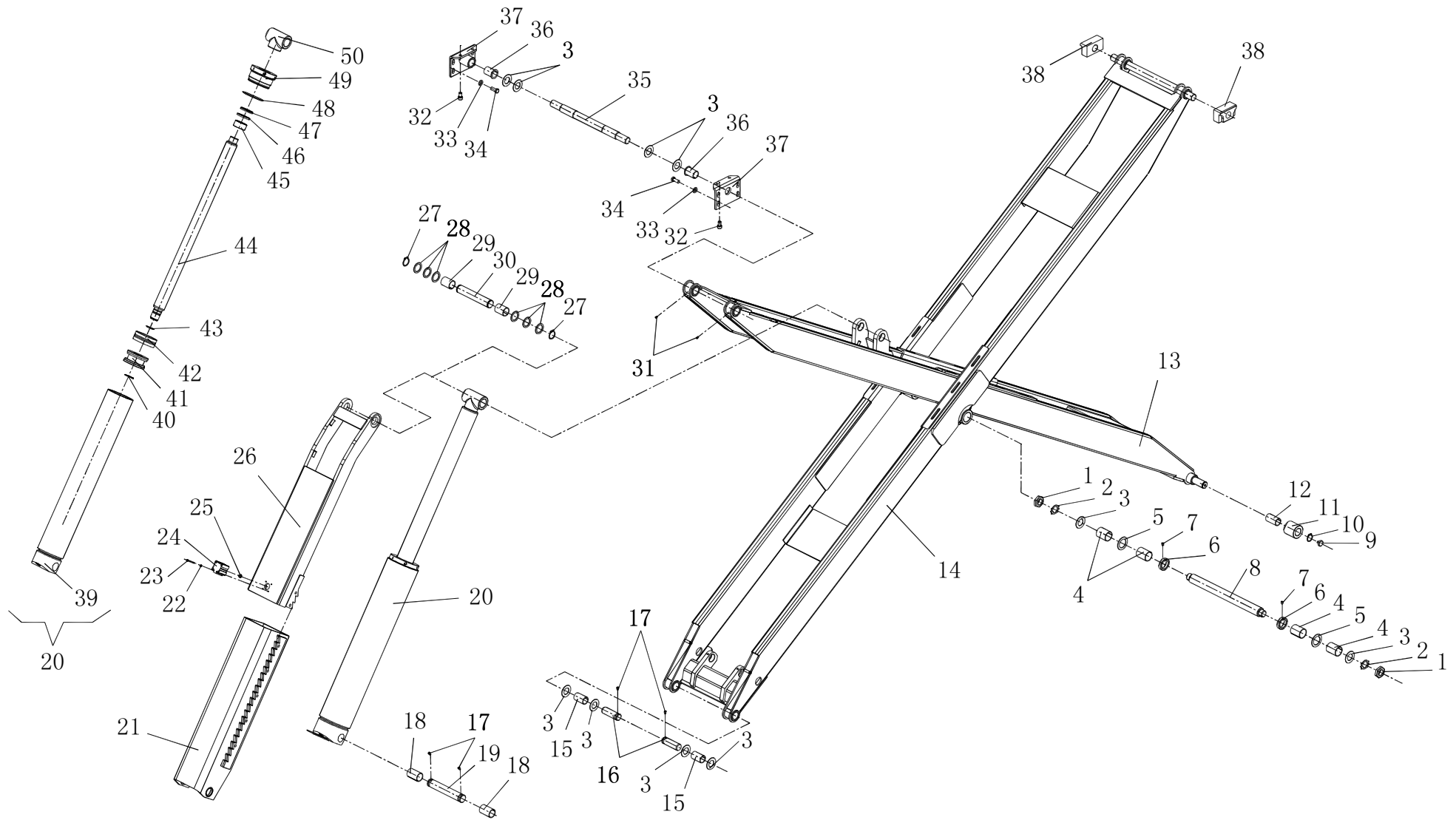


TAV.3.1.2	PLATFORM – P2	ED. 07/17
-----------	---------------	-----------

ITEM	PART NO.	DESCRIPTION	QTY	REMARK
1	0204008	Self-locking nut M16	7	
2	8200B6-800012	Ramp shaft	1	
3	8200TX-007100	Short ramp	1	
4	825D-810001	Spacer	1	
5	8200B4-031500	Spacer	1	
6	J62B810100	Rear extension	1	optional
7	0207036	Screw M8X20 - GB/T70.3	2	
8	825D-000001	Spacer	1	
9	825D-140100	Spacer	1	
10	0205013	Washer D.12 - GB/T97.1	8	
11	0201074	Screw M12X30 - GB/T5781	8	
12	0505043	Photocell	1	
13	J62B242000	P2 rear slipping plate unit	1	
14	J62B140100	Spacer	1	
15	0202040	Screw M8X16 - GB/T70.1	6	
16	0206037	Screw M8X25 - GB/T70.2	6	
17	0205008	Washer D.8 - GB/T97.1	12	
18	0209028	Screw M10X16 - GB/T79	8	
19	824-140007	Guide fastening plate	2	
20	824-140006	Upper guide	2	
21	J62B241000	P2 platform	1	
22	0202032	Screw M6X16 - GB/T70.1	2	
23	0201130	Screw M16X40 - GB/T5783	5	
24	0205020	Washer GB/T97.1/16	5	
25	824B-142003	Bolt	2	
26	824EH000382	Spring cradle	2	
27	XSZ-6-1	Spring	8	

TAV.3.1.2	PLATFORM – P2	ED. 07/17
-----------	---------------	-----------

28	J62B245100	P2 roller gasket	1	
29	J63A332000	Slipping support	8	
30	J62B242001	P2 slipping plate	1	
31	0207036	Screw M8X20 - GB/T70.3	2	
32	824B-142200	Stop pin	2	
33	0206032	Screw M6X16 - GB/T818	16	
34	0203004	Nut M6 - GB/T52	16	
35	J62B400000	Long ramp for on-ground installation	1	optional

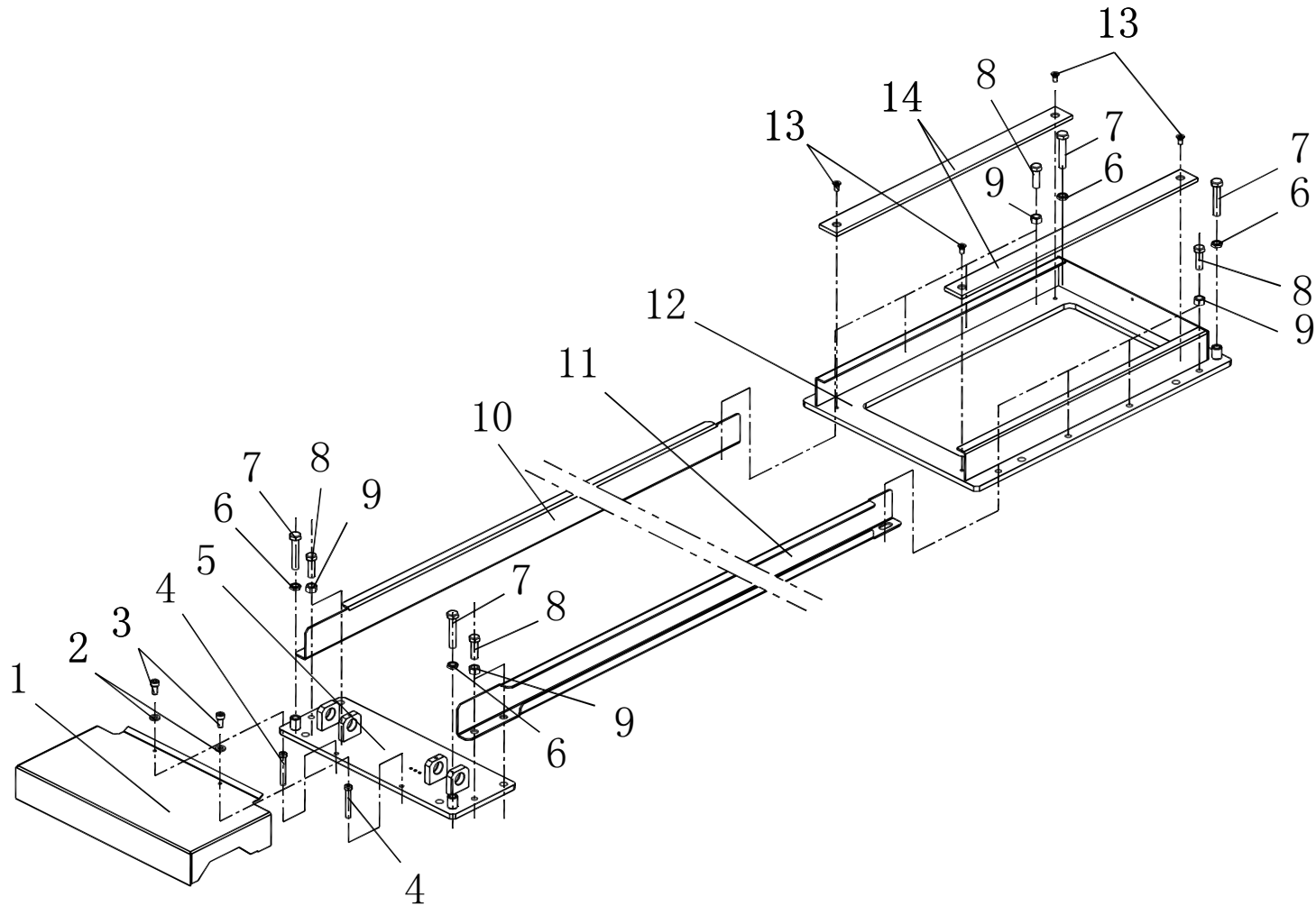


TAV.3.2	LIFTING SYSTEM – P2	ED. 07/17
---------	---------------------	-----------

ITEM	PART NO.	DESCRIPTION	QTY	REMARK
1	0204015	Nut M30 - GB/T6172.1	2	
2	0205025	Teethed washer D.30	2	
3	ZJJ3-17	Shim	10	
4	0210080	Bush SF-1/4055	4	
5	8250-18	Shim	2	
6	8250-02-26	Spacer	2	
7	0209012	Screw M8X12 - GB/T78	2	
8	824-100004	Central shaft	1	
9	ZJJ3-02-01-08	Nylon plug	2	
10	0212021	Seeger D.30	2	
11	8240B-02-02-16	Lower wheel	2	
12	0210046	Bush SF-1/3060	2	
13	J62B120000	Inner scissor arm	1	
14	J62B130000	Outer scissor arm	1	
15	0210018	Bush SF-1/3055	2	
16	824-100003	Lower shaft	2	
17	0209025	Screw M8X12 - GB/T79	4	
18	0210028	Bush SF-1/3560	2	
19	J62B100001	Cylinder lower shaft	1	
20	J62BY20000	Slave hydraulic cylinder unit	1	
21	J62B282000	P1 lower safety rack	1	
22	0205002	Washer D.4- GB/T97.1	4	
23	0202010	Screw M4X50 - GB/T70.1	4	
24	0306010	Safety release air cylinder 32X23	1	
25	0511228	Screw M8X10	1	
26	J62B181000	Upper safety rack	1	
27	0212022	Seeger D.35	2	

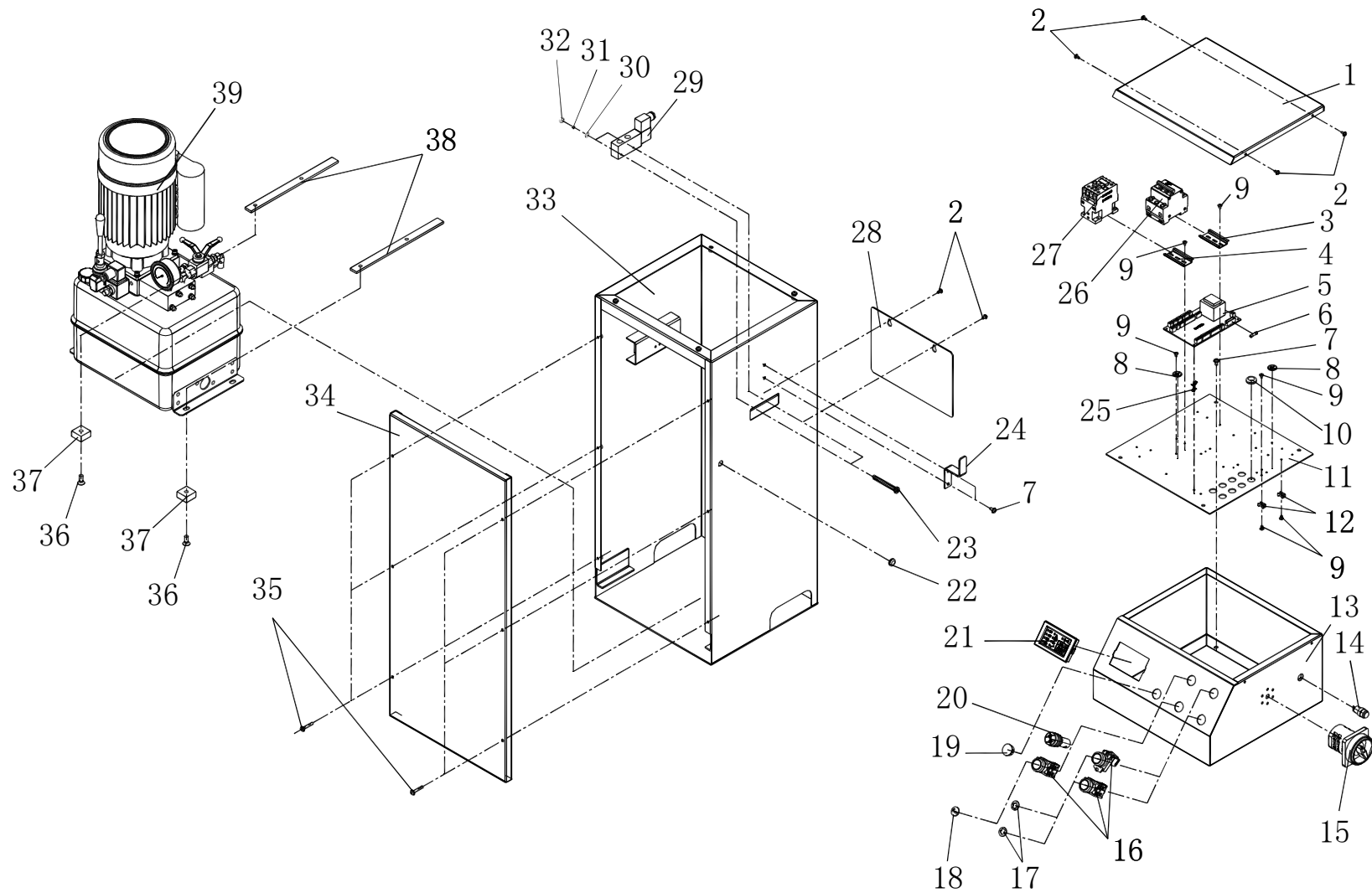
TAV.3.2	LIFTING SYSTEM – P2	ED. 07/17
---------	---------------------	-----------

28	GJ300-400009	Shim 2	6
29	0210027	Bush SF-1/3550	2
30	J62B100002	Cylinder upper shaft	1
31	0209010	Screw M6X10 - GB/T78	2
32	0202070	Screw M12X20 - GB/T70.1	4
33	0205013	Washer D.12 - GB/T97.1	8
34	0201074	Screw M12X30 - GB/T5781	8
35	824-100005	Upper shaft	1
36	0210075	Bush SF-1/3050F	2
37	824-170000	Leveling bracket	2
38	824-100001G	Nylon slider	2
39	J62BY21000	Slave cylinder liner	1
40	0212007	Seeger D.32	1
41	GJ350-100B-5	Piston	1
42	0312003	Gasket 100X75X22.4	1
43	0309027	O-ring 38X3.1	1
44	J62BY28003	Slave cylinder shaft	1
45	0305006	Guiding ring 50X25X2.5	1
46	0310015	Seal 50X60X6	1
47	0311010	Scraper 50X58X5/6.5	1
48	0309079	O-ring 100X3.1	1
49	GJ350-100B-2	Slave cylinder guiding cover	1
50	8250-120-06	Cylinder bracket	1



TAV.3.3	BASE – P2	ED. 07/17
---------	-----------	-----------

ITEM	PART NO.	DESCRIPTION	QTY	REMARK
1	824-000001	Base hose cover	1	
2	0205006	Washer D.6 - GB/T97.1	2	
3	0202024	Screw M6X12 - GB/T70.1	2	
4	824-000002	Bolt	2	
5	824-111000	Front base	1	
6	0204032	Nut M16 - GB/T6172.1	4	
7	0201180	Screw M16X85 - GB/T5780	4	
8	0201103	Screw M16X50 - GB/T5781	10	
9	0203025	Nut M16 - GB/T6170	10	
10	J62B110002	Base connection plate 2	1	
11	J62B110001	Base connection plate 1	1	
12	824-112000	Rear base	1	
13	0207022	Screw M10X20 - GB/T819.1	4	
14	824-110001	Lower wheel guide	2	

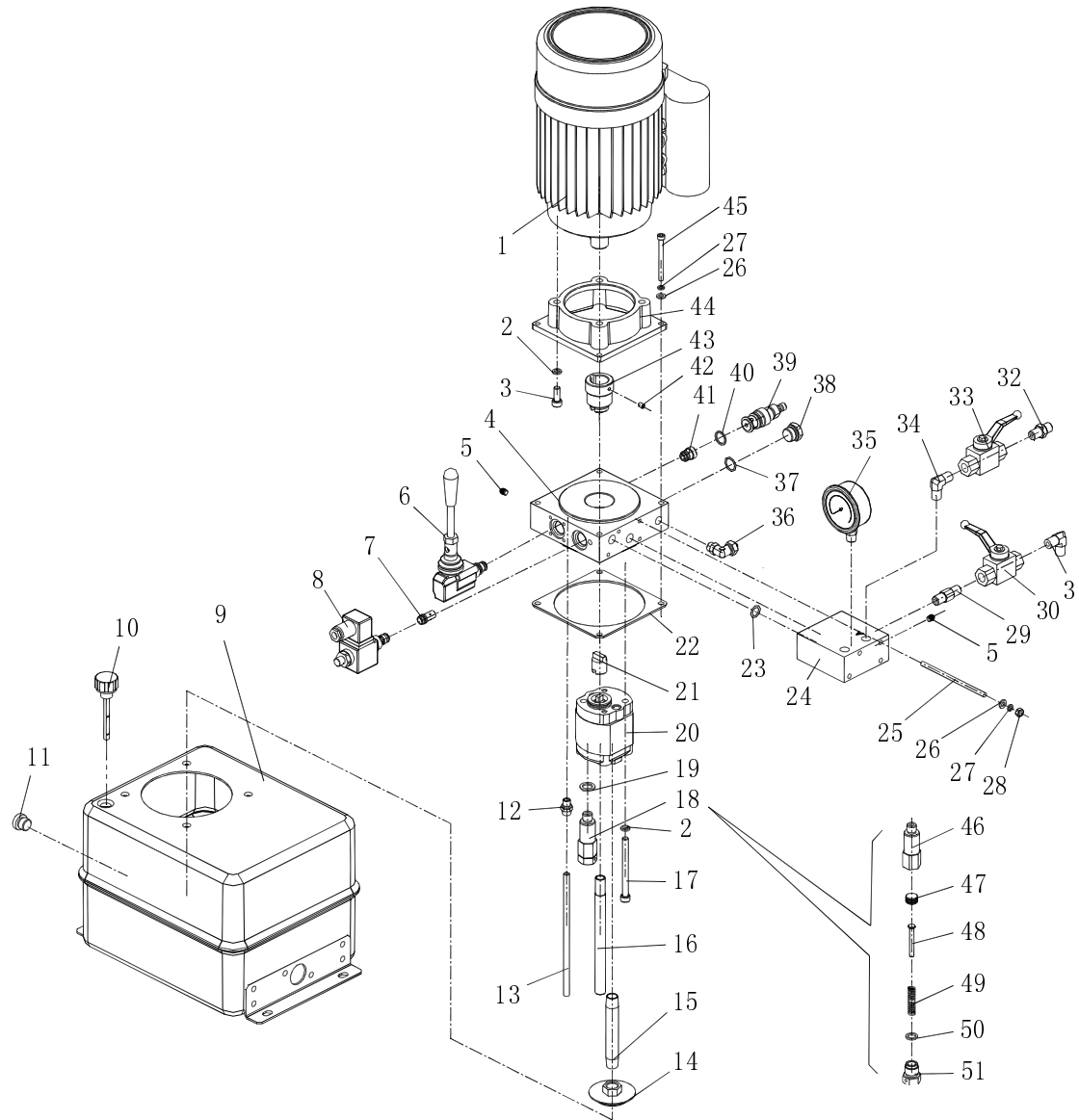


TAV.4.1	CONTROL UNIT	ED. 07/17
---------	--------------	-----------

ITEM	PART NO.	DESCRIPTION	QTY	REMARK
1	J04A030002	Top cover	1	
2	0206059	Screw M4X8	6	
3	0508330	Guide DZ47 L=60mm	1	
4	0508330	Guide DZ47 L=45mm	1	
5	0507367	CPU board 102.1	1	
6	0504016	FUSE 1A(5X20)	3	
7	0206058	Screw M5X10	6	
8	0510380	Ground decal	2	
9	0206019	Screw M4X6-GB/T818	10	
10	0508017	Cable relief GM-2314	8	
11	J04A110001	Support	1	
12	0508018	Holder HC-1(Φ4)	2	
13	J04A113000	Top box	1	
14	0502017	Pushbutton LA16Y-11-Y	1	
15	0505022	Power switch HZ5-2-20A	1	
16	0502024	Pushbutton LAY37T-10	3	
17	0510196	Up decal	2	
18	0510196	Safety lock decal	1	
19	0508019	Plug HP-22	1	
20	0502021	Beeper AD16-22SM(AC、DC24V)	1	
21	0507163	Function display 502D	1	
22	0508013	Cable relief GM-1710	1	
23	0206006	Screw M3X35 - GB/T818	2	
24	3002002009	Cable holder	1	
25	0508302	Holder HDB-16A	4	
26	0501066	Breaker DZ47-63/3P-D16A	1	
27	0501001	AC contactor CJX2-1210(220V)	1	

TAV.4.1	CONTROL UNIT	ED. 07/17
---------	--------------	-----------

28	3054503904	Back cover	1
29	0306177	Solenoid valve G1/4 3V210-08-AC220V	1
30	0205001	Washer D.3-GB/T97.1	2
31	0208001	Washer D.3-GB/T93	2
32	0203001	Nut M3-GB52	2
33	J04A031000	Lower box	1
34	J04A030003	Front cover	1
35	0206028	Screw M5X25 - GT/T818	6
36	0207019	Screw M8X20-GB/T819.1	4
37	3032084008	Rubber pad	4
38	3002005001	Support	2
39	BZ-W4LY	Hydraulic power unit	1

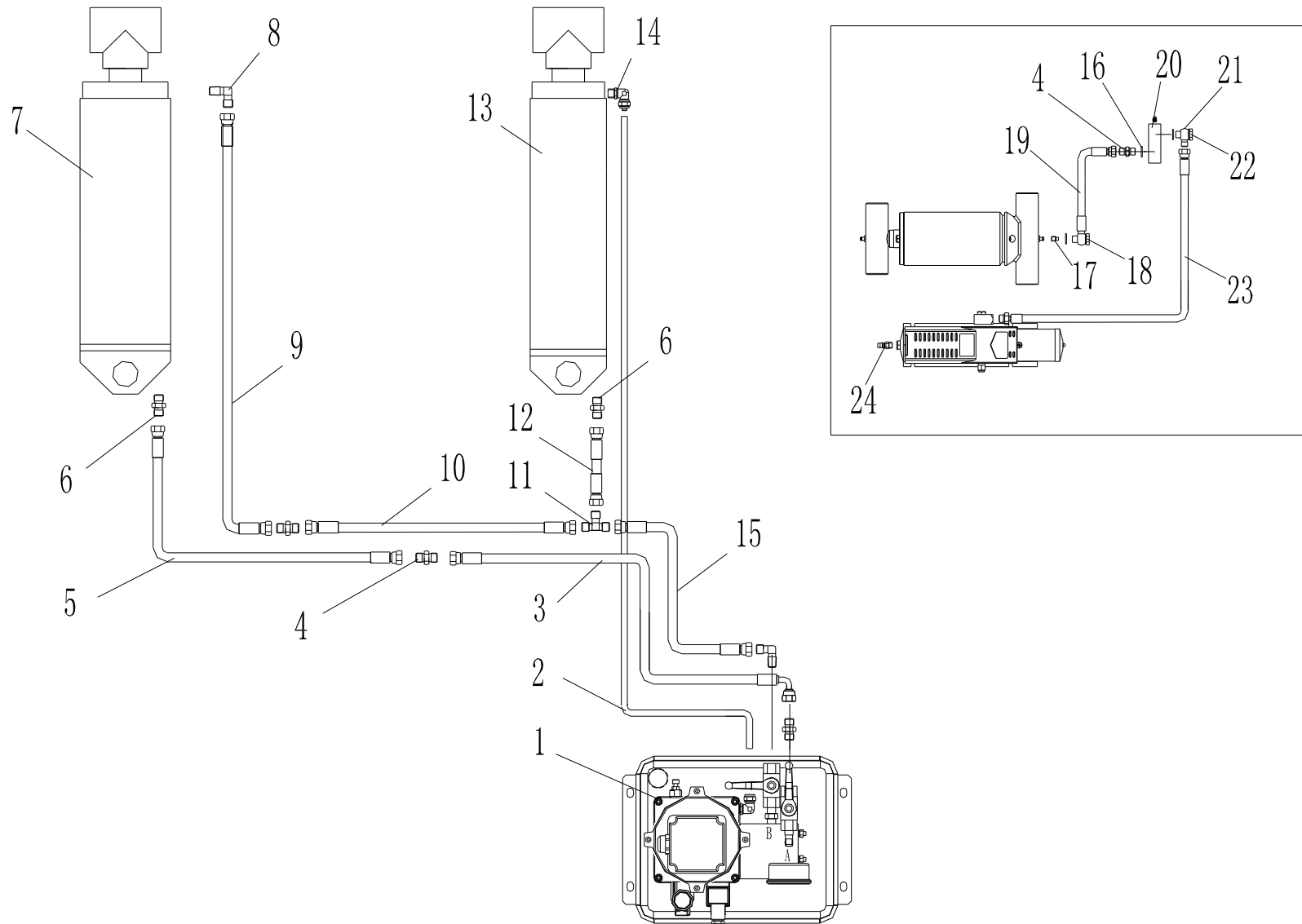


TAV.4.2	HYDRAULIC POWER UNIT	ED. 07/17
---------	----------------------	-----------

ITEM	PART NO.	DESCRIPTION	QTY	REMARK
1a	0509028	Motor 380V/50Hz/3PH 3.5kW	1	
1b	0509071	Motor 220V/50Hz/1PH 2.2kW	1	
1c	0509092	Motor 220V/60Hz/1PH 2.2kW	1	
2	0208006	Spring washer D.8 - GB/T93	6	
3	0202045	Screw M8X20 - GB/T70.1	4	
4	BZ-ZB-W4	Manifold	1	
5	0305001	Plug ZBJ22 007-QD07	2	
6	0301034	Manual pump QTHB-14	1	
7	0307006	Lowering speed control valve BLF06-02-00/Φ2.5	1	
8	0307049	Lowering solenoid valve (220V)	1	
9	HK2-0200	Oil tank	1	
10	0305026	Oil level plug 3/8	1	
11	0305018	Plug 4BN-06WD G3/8	1	
12	0306069	Rotation union 8-1/8	1	
13	0306097	Rilsan hose 8X5X190B	1	
14	0305010	Oil filter ZG3/8" ZF-08	1	
15	BZ-G18X110	Oil suction pipe	1	
16	BZ-G14X180	Oil return pipe	1	
17	0202053	Screw M8X90 - GB/T70.1	2	
18	BZ-HC2-0	Startup valve	1	For 1PH motor
19	0313001	Washer BS/A13.70	1	For 1PH motor
20a	0301022	Gear pump4.8CC	1	For 3PH motor
20b	0301041	Gear pump1.6CC	1	For 1PH/50Hz motor
20c	0301040	Gear pump1.3CC	1	For 1PH/60Hz motor
21	BZ-BJ25	Pump joint	1	
22	BZ-F-01	Gasket	1	
23	0309019	O-ring 18X2.4 - GB1235	1	

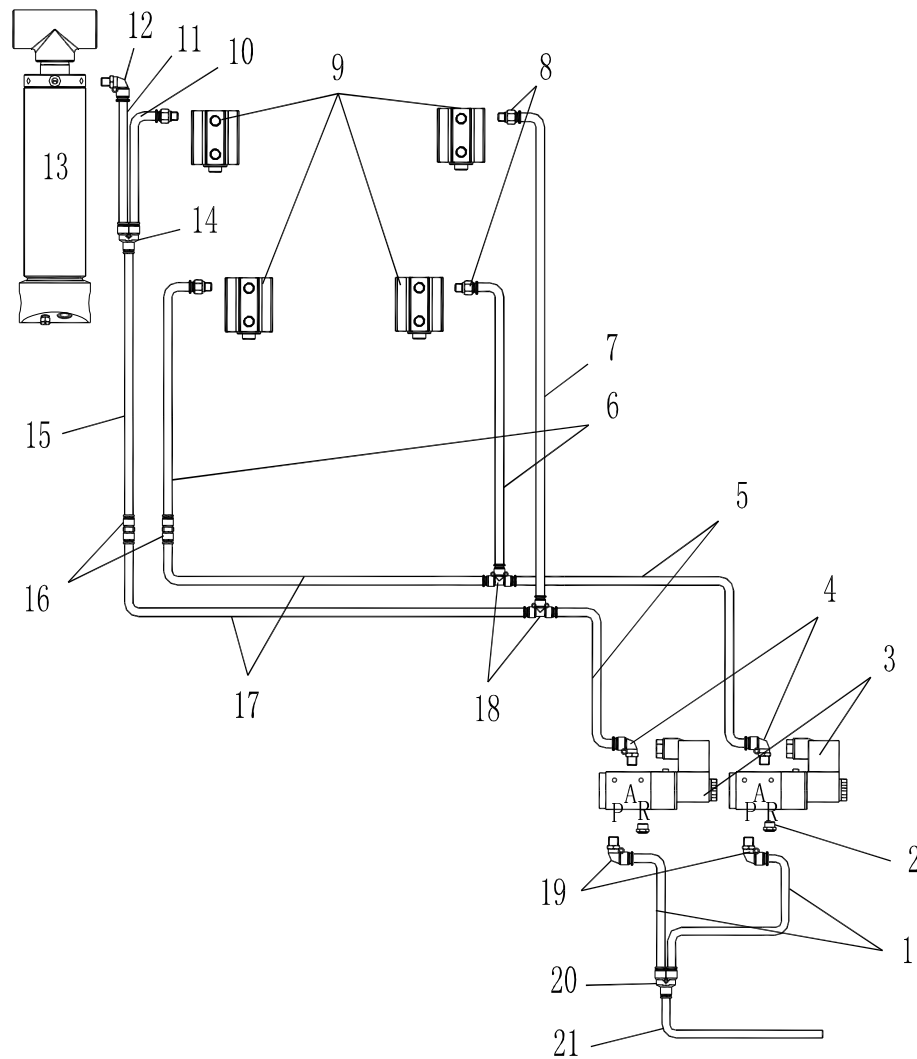
TAV.4.2	HYDRAULIC POWER UNIT	ED. 07/17
---------	----------------------	-----------

24	BZ-W-YL	Interface block	1	
25	0213045	Double-screw bolt M6X120 - GB/T901	4	
26	0205006	Washer D.6 - GB/T97.1	8	
27	0208005	Spring washer D.6 - GB/T93	8	
28	0203004	Nut M6-GB52	4	
29	0303060	Union 1T-04SPL	1	
30	0307041	Leveling cutoff cock 1/4 BKH224-DN06-G1/4	1	
31	0303002	90° union 1/4 1BT9-04SP	1	
32	0303063	Union (1BT-04SP)	1	
33	0307041	Leveling cutoff cock 1/4 BKH224-DN06-G1/4	1	
34	0303031	90° union 1/4 1T9-04SP	1	
35	0305054	Pressure gauge LA-60X400	1	
36	0306067	Union Φ10 ZG1-4	1	
37	0309054	O-ring 17X2	1	
38	BZ-SD-01	Plug	1	
39	0307010	Pressure overload valve FYF06-01-00	1	
40	0313057	Copper washer 16X20	1	
41	0307067	Non return valve GDF-06-07-00	1	
42	0209042	Screw M6X8 - GB/T80	1	
43	BZ-ZT24	Motor joint	1	
44	BZ-DJ-1B	Motor flange	1	
45	0202036	Screw M6X65 - GB/T70.1	4	
46	BZ-HC2-1	Valve body	1	For 1PH motor
47	BZ-HC-2	Valve piston	1	For 1PH motor
48	BZ-HC2-3	Valve pin	1	For 1PH motor
49	BZ-HC2-4	Spring	1	For 1PH motor
50	BZ-HC-6	Seal Φ16XΦ9X2.5	1	For 1PH motor
51	BZ-HC2-5	Valve back cover	1	For 1PH motor



TAV.5.1	HYDRAULIC LINE	ED. 07/17
---------	----------------	-----------

ITEM	PART NO.	DESCRIPTION	QTY	REMARK
1	BZ-W4LY	Hydraulic power unit	1	
2	0306109	PU hose (D10X 6.5X4900C)	1	
3	ZW4250	Hydraulic hose 1/4 L=4250	1	
4	0303065	Union (1B-04)	3	
5	ZZ1550	Hydraulic hose 1/4 L=1550	1	
6	0303063	Union (1BT-04SP)	2	
7	J62BY10000	Master hydraulic cylinder	1	
8	0303002	90° union 1/4 1BT9-04SP	1	
9	ZZ1250	Hydraulic hose 1/4 L=1250	1	
10	ZZ1400	Hydraulic hose 1/4 L=1400	1	
11	0303021	Tee union (AB-04)	1	
12	ZZ370	Hydraulic hose 1/4 L=370	1	
13	J62BY20000	Slave hydraulic cylinder	1	
14	0306067	Union (D10 ZG1/4)	1	
15	ZZ3600	Hydraulic hose 1/4 L=3600	1	
16	0313001	Washer 1/4	3	
17	BZ-GZ-002	Fluid restrictor	1	
18	BZ-720B-0401	Banjo bolt	1	
19	ZJ380	Hydraulic hose L=380	1	
20	0305001	Plug	1	
21	0303030	Banjo union 1/4	1	
22	0303027	Banjo bolt	1	
23	ZY900	Hydraulic hose L=900	1	
24	0306112	Quick union 8-1/4	1	



TAV.5.2	PNEUMATIC LINE	ED. 07/17
---------	----------------	-----------

ITEM	PART NO.	DESCRIPTION	QTY	REMARK
1	0306097	Rilsan hose 8X5X120B	2	
2	0306086	Silencer 1/4	2	
3	0306177	Solenoid valve G1/4 3V210-08-AC220V	1	
4	0306047	90 degree quick union 6-1/4	2	
5	0306095	Rilsan hose 6X4X4200	2	
6	0306095	Rilsan hose 6X4X3200	2	
7	0306095	Rilsan hose 6X4X6100	1	
8	0306046	Quick union 6-1/8	4	
9	0306010	Safety release air cylinder 32X23	4	
10	0306095	Rilsan hose 6X4X300B	1	
11	0306095	Rilsan hose 6X4X600B	1	
12	0306040	90 degree quick union 6 -1/8	1	
13	0301030	Air-hydraulic pedal pump 650CC	1	
14	0306158	Y union 6	1	
15	0306095	Rilsan hose 6X4X5800	1	
16	0306041	Quick union 6	2	
17	0306095	Rilsan hose 6X4X2200	2	
18	0306025	Quick tee union 6	2	
19	0306032	90 degree quick union 8-1/4	2	
20	0306002	Y quick union 8	1	
21	0306097	Rilsan hose 8X5X2000	1	